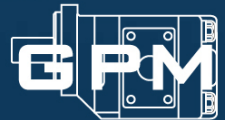


# Bearing & Bushing Range



**GEAR PUMP MANUFACTURING**

A DIVISION OF HUDACO TRADING (PTY) LTD

**SABS**  
ISO 9001  
Manufactured in South Africa

**GETTING THE WORLD INTO GEAR**

ISSUE 02

# Company Profile



Gear Pump Manufacturing (Pty) Ltd, located in Cape Town South Africa, with a staff compliment of 150 employees, has been specialising in the manufacture and assembly of hydraulic SAE mounted cast iron pumps and associated components since 1985. Approximately 70% of production is exported to countries in North and South America, Europe, Middle and Far East, South East Asia and Australia. A total of 37 countries around the world.

As a consequence of our re-investment philosophy, we have been successful in doubling our sales and production capacity. We continue to maintain substantial investments in inventory, both in Cape Town as well as at various distribution centres worldwide.

- LATEST TECHNOLOGY** - CNC machining centres, lathes and gear grinding machines, together with late model hobbing and shaving machinery and computerized test stands form the basis of our manufacturing facility.
- IN-HOUSE FOUNDRY** - Commissioned in February 2002 and currently produces 900 tons of grey Iron, SG iron, compacted graphite iron (CGI) and bronze cast components per annum. Superior metallurgical structured CGI material is used in the manufacture of the higher pressure requirements of our Bushing Pump Range. The foundries production is dedicated to the requirements of GPM and has sufficient capacity to handle the expected growth into the year 2018.
- PARTS, PORTING & ASSEMBLY** - Our focus is purely on gear pump and motor assembly, ensuring consistently high quality products.
- RIGOROUS TESTING** - All units assembled inhouse are tested on fully computerized test stand with multiple flow, pressures, temperatures and speed data. Units can also be tested according to customers specific requirements.
- QUALITY CONTROL** - Quality is the focus of our attention if we are to be seen as a world class manufacturer. The company has been ISO 9001 certified since 1992 and is audited every six months by the South African Bureau of Standards.
- CUSTOMER SERVICE** - Our willing and qualified staff are available to help clients with sales, financial or technical issues.

# Contents

Features .....	4
Quick Reference .....	6
Fasteners .....	9
Pump & Motor Specifications .....	10
Pump & Motor Dimensions .....	12
Pump Builder .....	14
<b>Series:</b>	
110 / 112 .....	16
120 .....	19
125 .....	23
130 / 131 .....	26
150 / 151 .....	30
175 / 176 .....	34
215 .....	38
230 .....	43
250 .....	47
265 .....	51
Pump Identification .....	55
Porting .....	56
Torque Settings .....	58
PTO Truck Pumps .....	60
PTO Gear Pumps .....	62
PTO Dump Pumps .....	63



## PUMPS & MOTORS

### FLUID POWER FOR MOBILE EQUIPMENT

GPM hydraulic pumps and motors are particularly well suited to mobile equipment applications; they are designed for extreme duty cycles, and continuous heavy duty operation. Whilst the equipment is of a simple yet rugged design, it is manufactured to extremely precise tolerances.

Pumps are available in capacities ranging from 11 cc/rev to 200 cc/rev for each gear section. Several sections can be combined into one assembly. A wide selection of SAE and ANSI mounting flanges and drive shafts are available for all drive units. Pipe thread, O-ring seal, and split flange ports are available in both metric and SAE standards.

GPM pumps are manufactured under statistical analysis process control which is monitored by the South African Bureau of Standards to an ISO 9001-2008 quality management system.

### MAJOR FEATURES

- GPM's full range of gear set products comply with the international standard, ensuring the metallurgical elements of Molybdenum and Nickel are present in the base material for premium quality requirements necessary in hydraulic gear pump applications.
- Sectional Construction: Standard parts, cast from high strength grey iron, SG iron, compacted graphite iron (CGI) and bronze cast components can be assembled in a wide variety of configurations to suit almost any application. Superior metallurgical structured CGI material is used in the manufacture of the Higher Pressure requirements of our Bushing Pump Range.

**Multiple pump units:** Several pump sections can be combined in a single drive to eliminate multiple drive P.T.O units.

**Precision matched gears:** All gears are manufactured from high alloy forged bars, surfaces are precision finished and each gear pair is matched for maximum efficiency. The deep 10-tooth pattern gives maximum output per revolution whilst ensuring low pulsation frequency.

**Bearings:** Heavy duty roller bearings are utilized on all gear journals to reduce wear caused by contamination.

**Motors:** are available with capacities ranging from 0.75kW to 75kW. Basically similar in design to pumps, they are engineered for extreme heavy duty applications, with high efficiency characteristics. Motor speed is in direct proportion to the volume of oil delivered to the inlet port and output torque is in proportion to the pressure supplied to the motor. All other equipment required to match our pumps and motors is readily available.

### INTERCHANGEABILITY

GPM hydraulic equipment is directly interchangeable with the other internationally recognized SAE pumps and motors.

GPM equipment is sold in component form but units can be assembled and tested to meet your particular requirements.





# Features

## PUMPS & MOTORS

### PL FACTOR

Each section of a pump or motor should be regarded as a single unit with corresponding power input requirements. The entire input horsepower is fed through the drive shaft, the power delivered to or from the unit is limited by the strength of the shaft. The limit is defined as the "PL" factor. "P" being the operating pressure in PSI and the "L" the sum of the gear widths in inches.

In multiple units the "PL" must be calculated for each connecting shaft and must include the sum of the gear widths driven by it.

(Each shaft has a unique "PL" factor as can be seen in the following tables)

$$\text{Pressure (PSI)} \times \text{Total Gear Width (Inches)} = \text{PL Factor}$$

### PL FACTOR MUST NOT EXCEED FIGURE SHOWN IN CHART FOR SHAFT TYPE

### BEARING

SHAFT TYPE		SOLID SHAFT & GEAR	LOOSE SHAFT (CONTINENTAL SHAFT)
120/ 131	SAE "A" Spline	2 600	2 600
	SAE "B" Spline	7 900	5 800
	SAE "B" Key	4 850	4 850
	SAE "BB" Spline	12 150	-
	SAE "BB" Key	7 250	5 850
	SAE "C" Spline	-	5 850
	Connecting Shaft	-	5 850
151	SAE "B" Spline	6 100	6 100
	SAE "B-B" Spline	9 400	-
	SAE "B-B" Key	5 600	5 600
	SAE "C" Spline	12 900	8 500
	SAE "C" Key	10 900	8 500
	Connecting Shaft	-	8 500
176	SAE "C" Spline	8 000	8 000
	SAE "C" Tandem	12 500	-
	SAE "C" Key	7 500	7 500
	Connecting Shaft	-	10 000

### BUSHING

SHAFT TYPE		SOLID SHAFT & GEAR	LOOSE SHAFT (CONTINENTAL SHAFT)
215	SAE "A" Spline	4 400	-
	SAE "A" Key	3 600	-
	SAE "B" Spline	13 400	-
	SAE "B" Key	9 900	-
	Connecting Shaft	-	5 550
230	SAE "B" Spline	8 450	6 250
	SAE "B" Key	6 250	6 250
	SAE "B-B" Spline	13 000	6 250
	SAE "B-B" Key	9 300	6 250
	SAE "C" Spline	-	6 250
	SAE "C" Key	-	6 250
Connecting Shaft	-	6 250	
250	SAE "B" Spline	6 450	6 450
	SAE "B" Key	4 750	4 750
	SAE "B-B" Spline	9 900	9 900
	SAE "B-B" Key	7 100	7 100
	SAE "C" Spline	19 100	9 000
	SAE "C" Key	13 900	9 000
	Connecting Shaft	-	9 000
265	SAE "B" Spline	5 050	5 050
	SAE "C" Spline	14 900	11 950
	SAE "C" Key	10 800	10 800
	Connecting Shaft	-	11 900



# Quick Reference

## PARTS LIST A - D

SERIES	120	125	131	151	176	215	230	250	265
7/8" KEY SAE B	ADD-131-??		ADD-131-??				ADC-230-??		
7/8" KEY SHORT SAE B						ADK-215-??			
1" KEY SAE BB	AED-131-??		AED-131-??	ATD-151-??			AEC-230-??	ATF-250-??	
1 1/8" KEY (KCB)							AHC-230-??		
1 5/16" KEY with 7/8" UNF thread	ATH-131-??		ATH-131-??				ATH-230-??		
1 1/4" KEY SAE C				ASD-151-??	AAL-176-??			ASF-250-??	AAG-265-??
22 MM KEY METRIC						AAO-215-??			
9 SPLINE 5/8" SHORT SAE A						AZK-215-??			
10 SPLINE 30mm OD									AIR-265-??
11 SPLINE 3/4"						AGK-215-??			
13 SPLINE 7/8" SAE B	ABD-131-??		ABD-131-??	AVD-151-??			ABC-230-??	AVF-250-??	ABG-265-??
13 SPLINE 7/8" SHORT SAE B	ABD-131-4-??		ABD-131-4-??	AVD-151-4-??		ABK-215-??	ABC-230-4-??		
13 SPLINE 7/8" XTRA SHORT (FORD) SAE B							AFD-230-??		
14 SPLINE 1 1/4" SAE C				APD-151-??	ANE-176-??			APF-250-??	ANG-265-??
14 SPLINE 1 1/4" SHORT SAE C				APD-151-4-??					
14 SPLINE 1 1/4" SAE C LONG									ANG-265-L-??
14 SPLINE (CLARK) 1 1/4"								ACL-250-??	
15 SPLINE 1" SAE BB	AAU-131-??		AAU-131-??	AAT-151-??		AAK-215-??	AAC-230-??	AAF-250-??	
17 SPLINE 1 1/8" (CASE)								ACF-250-??	
TAPER (FORD)						AFR-215-??			
TAPER 1:8 (GROUP 3)						AEK-215-??			
TAPER 1:5						ATK-215-??			
FORD									
LUBE PUMP - DOSCO SPL						ASK-215-??			
****GP110 DUMP PUMP				ADE-110-??					
****GP151 TWINSHAFT				AKE-113-??					
****GP112 DUMP PUMP				AVD-151-1-??					
**Substitute ?? with Gear Width Code									
<b>B LOOSE GEAR SETS</b>									
STANDARD	BV-131-??	BKA-125-??	BV-131-??	BMA-151-??	BPA-176-??	BVK-215-??	BVC-230-??	BMF-250-??	BPG-265-??
****SERIES 115				BBA-115-??					
****SERIES 137X				BJA-137-??					
**Substitute ?? with Gear Width Code									
<b>C GEAR HOUSINGS</b>									
PUMP	CRD-120-??	CMA-151-??	CRA-131-??	CMA-151-??	CSA-176-??	CRK-215-??	CRC-230-??	CMH-250-??	CSG-265-??
MOTOR	CRD-120-??	CMA-151-??	CRA-131-??	CMA-151-??	CSA-176-??	CLK-215-??	CSC-230-??	CLF-250-??	CLG-265-??
PUMP - BI ROTATION				CG-151-??-BI					
****GP110/GP112 DUMP PUMP				CC-110-??					
**Substitute ?? with Gear Width Code									
<b>D SHAFT END COVERS</b>									
4 BOLT ROUND		DCB-125-3							
6 BOLT ROUND	DFD-120	DCB-125	DFB-131						
2 BOLT 3.25" SAE A	DWD-120		DWB-131			DWK-215	DWC-230		
2 BOLT 3.25" SAE A WITH S/RETAINER						DWK-215-SPL			
2 BOLT 3.25" SAE A MOTOR						DWK-215-M			
2 BOLT 4" SAE B	DGD-120	DUA-125	DGB-131	DRB-151		DGK-215	DGC-230	DRF-250	DRG-265
2 BOLT 4" SAE B MOTOR						DGK-215-M			DRG-265-M
2 BOLT 4" SAE B SHORT	DGD-120-SH		DGB-131-SH					DGC-230-SH	
2 BOLT 4" XTRA SHORT (FORD)								DFD-230	
2 BOLT 5" SAE C		DYA-125		DNB-151	DVB-176		DNC-230	DNF-250	DVG-265
2 BOLT 5" SAE C MOTOR									DVG-265-M
4 BOLT 4" SAE B	DED-120	DTA-120	DEB-131	DHB-151	DSB-176	DEK-215	DEC-230	DHF-250	DSG-265
4 BOLT 4" SAE B MOTOR									DSG-265-M
4 BOLT 5" SAE C		DXA-125	DPB-131	DKB-151	DTB-176		DPC-230	DKF-250	DTG-265
4 BOLT 5" SAE C MOTOR									DTG-265-M
4 BOLT 6" SAE D					DUB-176				
4 BOLT DIN PTO								DZF-250	
4 BOLT GROUP 3 EURO						DHK-215			
2/4 BOLT 4" SAE B	DDB-120-4			DDB-151-4				DDB-250-4	
2/4 BOLT 4" SAE B SHORT				DDB-151-4-SH				DDB-250-4-SH	
2/4 BOLT 5" SAE C								DDB-250-5	
ADD-A-PUMP			DDC-131/131		DPB-176/131				
PAD MOUNT PUMP		DSA-125		DMB-151					
PAD MOUNT FAN MOTOR						DFK-215-M			
LUBE PUMP - DOSCO SPL						DSK-215			
FORD - 3 BOLT 95.2 splgot						DFR-215			
CHELSEA	DCD-120								
****GP151 TWINSHAFT PAD MOUNT				DHU-113					
****GP110 DUMP PUMP				DC-110					
CLUTCH PUMP						DCP-215 Clutch			

## PARTS LIST E - J

SERIES	120	125	131	151	176	215	230	250	265
<b>E PORT END COVERS</b>									
STANDARD	EXD-120	EZA-151	EXA-131	EZA-151	EYA-176				
PORTED						EUK-215	EUC-230	EFW-250	EWG-265
PORTED 4 PORT			EXA-131-4	EZA-151-4		EUK-215-4	EUC-230-4	EFW-250-4	
REAR PORTED	EXD-S		EXD-S						
TANDEM MOTOR						EKX-215	EXC-230	EZF-250	EYG-265
MOTOR TANDEM						EUK-215-M	EUC-230-M	EUF-250-M	EWG-265-M
FAN MOTOR						EPK-215-M			EYG-265-M
FORD - WITH INLET TUBE							EFD-230		
STEP DOWN CW							EPB-230/215 CW	EPB-250/215 CW	EPB-265/230 CW
STEP DOWN CCW							EPB-230/215 CCW	EPB-250/215 CCW	EPB-265/230 CCW
BI-ROTATION				EG-151-BI					
ADD-A-PUMP STD			EPB-131/131	EPB-151/131	EPB-176/131				
ADD A PUMP 2 BOLT A CW								EAAP250 2bA CW	EAAP265 2bA CW
ADD A PUMP 2 BOLT A CCW								EAAP250 2bA CCW	EAAP265 2bA CCW
ADD A PUMP 2 BOLT B CW								EAAP250 2bB CW	EAAP265 2bB CW
ADD A PUMP 2 BOLT B CCW								EAAP250 2bB CCW	EAAP265 2bB CCW
****GP151 TWINSHAFT 1.5NPT X 0.7500DT				EHU-151					
****GP151 TWINSHAFT 1.5NPT X 1.9000DT				EHV-151					
<b>F BEARING CARRIERS</b>									
STANDARD	FVD-120	FKB-125	FVA-131	FTA-151	FZA-176				
STANDARD WITH DRAIN			FVA-131-11	FTA-151-11	FZA-176-11				
1 OUTLET						FYK-215-1	FWC-230-1	FTF-250-1	FZG-265-1
2 OUTLET						FYK-215-2	FWC-230-2	FTF-250-2	FZG-265-2
MOTOR						FYK-215-M	FWC-230-M	FTF-250-M	FZG-265-M
3" SUCTION									FZG-265-3
<b>G THRUST PLATES</b>									
PUMP	GAA-131	GY-151	GAA-131	GY-151	GBA-176	GCI-215	GCI-230	GCI-250	GCI-265
MOTOR						GM-215	GM-230	GM-250	GM-265
DRY VALVE BI ROTATION					GBA-176-BI				
DRY VALVE UNI ROTATION					GBA-176-UNI				
****SERIES 115				GU-115					
****SERIES 137X				GX-137					
****GP110 DUMP PUMP				GC-110					
<b>H THRUST PLATE SEALS</b>									
PUMP CHANNEL SEAL (H1)						HCI-215-CS	HCI-230-CS	HCI-250-CS	HCI-265-CS
PUMP CHANNEL SEAL BACKUP (H2)						HCI-215-CSBU	HCI-230-CSBU	HCI-250-CSBU	HCI-265-CSBU
MOTOR SEAL BACKUP (H3)						HM-215-MSBU	HM-230-MSBU	HM-250-MSBU	HM-265-MSBU
MOTOR END SEAL (H4)						HM-215-MES	HM-230-MES	HM-250-MES	HM-265-MES
MOTOR SIDE SEAL (H5)						HM-215-MSS	HM-230-MSS	HM-250-MSS	HM-265-MSS
<b>I CONNECTING SHAFTS</b>									
STANDARD	IZA-131	ITA-125	IZA-131	IYA-151	IAB-176	IZK-215	IZC-230	IYF-250	IAG-265
STEP DOWN							IPB-230/215	IPB-250/215	IPB-265/230
ADD-A-PUMP			IAF-131/131	IAD-151/131	IAH-176/131				
ADD-A-PUMP				IPB-151/151					
ADD A PUMP with 9 SPLINE								IAAP-250/9SPL	IAAP-265/9SPL
ADD A PUMP with 13 SPLINE								IAAP-250/13SPL	IAAP-265/13SPL
ADD A PUMP with 15 SPLINE									IAAP-265/15SPL
DIN/SAE B COUPLING	I-DIN/SAE B		I-DIN/SAE B	I-DIN/SAE B		I-DIN/SAE B	I-DIN/SAE B	I-DIN/SAE B	
<b>J LOOSE SHAFTS</b>									
3/4" KEY	JAV-131		JAV-131						
7/8" KEY	JAK-131	JWB-125	JAK-131	JAB-151			JCK-230		
7/8" KEY WITH EXT THREAD	JAX-131		JAX-131				JCK-230-L		
7/8" KEY LONG	JAK-131-L		JAK-131-L						
1" KEY	JED-131	JHB-125	JED-131	JAE-151		JGD-215	JCD-230		
1" KEY LONG						JGD-215-L			
1 1/8" KEY	JMT-131		JMT-131	JGT-151			JHH-230	JHH-250	
1 1/4" KEY	JAW-131	JRB-125	JAW-131	JAF-151	JAL-176		JCW-230	JAC-250	JLG-265
1 1/4" KEY LONG					JAL-176-L				
1 1/4" KEY LONG DOUBLE BRG		JDB-125							
1 1/4" KEY with 1/2" thread								JKE-250	
1 3/4" KEY UCHIDA					JUC-176				
1 3/4" KEY LONG					JKB-176				
CAT 910 TAPER W/RUFF	JCA-131		JCA-131						
6 SPLINE 1"	JAM-131	JHC-125	JAM-131	JAN-151					



# Quick Reference



## PARTS LIST J - S

SERIES	120	125	131	151	176	215	230	250	265	
<b>J LOOSE SHAFTS....cont/</b>										
6 SPLINE 1 1/4"				JSX-151			JKD-230			
8 SPLINE DIN	JDI-131		JDI-131					JDI-250		
9 SPLINE 5/8"	JAI-131		JAI-131							
11 SPLINE 3/4"	JDV-131		JDV-131							
13 SPLINE 7/8"	JAJ-131	JVB-125	JAJ-131	JAD-151						
13 SPLINE 7/8" SHORT	JAJ-131-SH		JAJ-131-SH							
13 SPLINE 7/8" LONG	JSB-131		JSB-131							
13 SPLINE 1 3/4"						JAS-176-SHD				
14 SPLINE 1 1/4"	JAH-131	JPB-125	JAH-131	JAG-151	JAS-176					
14 SPLINE 1 1/4" LONG				JAG-151-L	JAS-176-L					
14 SPLINE 1 1/4" SAE C							JCH-230	JAP-250		
15 SPLINE 1" SAE BB								JFG-250		
17 SPLINE Komatsu 1 1/2"									JKG-265	
TAPER SHAFT		JTS-125								
<b>K BEARINGS / BUSHES</b>										
<b>BUSHES (K2)</b>										
NEEDLE ROLLER (K2)	KY-131	KS-151	KY-131	KS-151	KR-176		KBUSH-215	KBUSH-230	KBUSH-250	KBUSH-265
SHAFT BALL BEARING (K1)	KX-131-40	KX-125-8	KX-131-40	KX-151-58	KX-176-59		KX-131-40	KX-151-58	KX-176-59	
ADD A PUMP								KAAP-250/265	KAAP-250/265	
<b>L SEALS</b>										
<b>BODY SEALS</b>										
MOTOR BODY SEAL	LUB-120-239	LUB-151-244	LUB-131-242	LUB-151-244	LUB-176-252	LUB-215-239	LUB-131-242	LUB-250-244	LUB-265-250	
PUMP SEAL STANDARD	LX-131-16	LX-125-13	LX-131-16	LX-151-17	LX-176-10	LX-215	LX-131-16	LX-151-17	LX-176-10	
MOTOR SEAL STANDARD	LX-131-9	LX-125-3	LX-131-9	LX-151-8	LX-176-1	LX-215-M	LX-131-9	LX-151-8	LX-176-1	
PUMP SEAL TELLTALE								LPA-250-TT		
PUMP SEAL LOOSE SHAFT	LX-131-18		LX-131-18				LX-131-18			
MOTOR SEAL LOOSE SHAFT	LX-131-11		LX-131-11				LX-131-11			
PUMP SEAL VITON	LX-131V-16	LX-125V-13	LX-131V-16	LX-151V-17	LX-176V-10		LX-131V-16	LX-151V-17	LX-176V-10	
<b>M RETAINERS</b>										
SEAL RETAINER MOTOR		MAV-125			MRA-176	MFR-215				
SEAL RETAINER PUMP		MGA-125			MRA-176					
RETAINER NUT PUMP		MW-125								
RETAINER NUT MOTOR		MLA-125								
SEAL RETAINER LUBE PUMP - DOSCO SPL						MSK-215				
SEAL RETAINER TELLTALE							MNA-230-1	MPA-250	MTT-265	
<b>N DOWELS</b>										
STANDARD			NDOWEL-131	NDOWEL-131	NDOWEL-176	NDOWEL-215	NDOWEL-131	NDOWEL-131	NDOWEL-265	
MOTOR									NDOWEL-265M	
<b>O BRONZE PRESSURE RING</b>										
RING SEAL	OLB-131-1		OLB-131-1	ONB-151-1	OWB-176-1					
SHAFT BUSH		OAH-125								
CONNECTING SHAFT BUSH		OAR-125								
<b>Q SPACERS</b>										
SEAL SPACER	QAE-131	QSA-125	QAE-131	QAC-151		QAE-215	QAE-131	QAC-151		
INTERNAL SPACER		QTA-125-7		QVB-151-1						
BEARING SPACER	QVB-131-2	QGB-125	QVB-131-2	QVB/AC-151	QVB-176		QVB-131-2	QVB/AC-151	QVB-176	
SHAFT SPACER (CONTI)	QTB-131	QDB-125/QYA-125-1	QTB-131	QTG-151	QAF-176		QTB-131		QAF-176	
ADD-A-PUMP			QAK131/131		QAL176/131					
<b>R KEYS</b>										
3/4" SHAFT	RX-JAV		RX-JAV							
7/8" SHAFT	RX-17	RX-17	RX-17	RX-17			RX-18	RX-18	RX-18	
1" SHAFT	RX-13	RX-13	RX-13	RX-13		RX-16	RX-16	RX-16		
1 1/8" SHAFT	RX-54	RX-54	RX-54	RX-54	RX-54		RX-54	RX-54		
1 1/4" SHAFT	RX-38	RX-38	RX-38	RX-38	RX-38		RX-19	RX-19	RX-19	
1 3/4" SHAFT					RX-45					
CAT 910 TAPER (JCA)			RX-606							
1:8 TAPER SHAFT (AEK)						RX-506				
1:5 TAPER SHAFT (ATK/AFR)						RX-505				
<b>S SNAP RINGS / CIRCLIPS</b>										
SHAFT	SX-131-100	SX-125-13	SX-131-100	SX-151-125	SX-176-137		SX-131-100	SX-151-125	SX-176-137	
SHAFT END COVER	SX-131-206		SX-131-206	SX-151-283	SX-176-315	SX-215	SX-131-206	SX-151-283	SX-176-315	
ADD A PUMP								SAAP250/265	SAAP250/265	

# Quick Reference



## PARTS LIST V - W

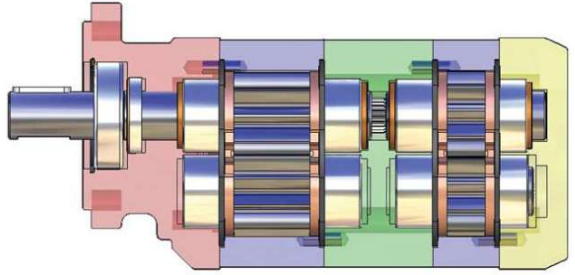
SERIES	120	125	131	151	176	215	230	250	265
<b>V FASTENERS</b>									
<b>BOLTS</b>	VBOLT 9/16" X ?	VBOLT 5/8" X ?	VBOLT 5/8" X ?	VBOLT 5/8" X ?	VBOLT 5/8" X ?	VBOLT 1/2" X ?	VBOLT 5/8" X ?	VBOLT 5/8" X ?	VBOLT 5/8" X ?
<b>NUTS</b>	VNUT 9/16"	VNUT 5/8"	VNUT 5/8"	VNUT 5/8"	VNUT 5/8"	VNUT 1/2"	VNUT 5/8"	VNUT 5/8"	VNUT 5/8"
<b>WASHERS</b>	VWASHER 9/16"	VWASHER 5/8"	VWASHER 5/8"	VWASHER 5/8"	VWASHER 5/8"	VWASHER 1/2"	VWASHER 5/8"	VWASHER 5/8"	VWASHER 5/8"
<b>WASHERS 265 MOTOR</b>									VWASHER 3/4"
<b>STUDS 06"-11" EXTENDED THREAD ON ONE SIDE</b>	VSTUD 9/16" X6-11	VSTUD 5/8" X6-11	VSTUD 5/8" X6-11	VSTUD 5/8" X6-11	VSTUD 5/8" X6-11	VSTUD 1/2" X6-11	VSTUD 5/8" X6-11	VSTUD 5/8" X6-11	VSTUD 5/8" X6-11
<b>STUDS 11"-16" EXTENDED THREAD ON ONE SIDE</b>	VSTUD 9/16" X11-16	VSTUD 5/8" X11-16	VSTUD 5/8" X11-16	VSTUD 5/8" X11-16	VSTUD 5/8" X11-16	VSTUD 1/2" X11-16	VSTUD 5/8" X11-16	VSTUD 5/8" X11-16	VSTUD 5/8" X11-16
<b>STUDS 16"-21" EXTENDED THREAD ON ONE SIDE</b>	VSTUD 9/16" X16-21	VSTUD 5/8" X16-21	VSTUD 5/8" X16-21	VSTUD 5/8" X16-21	VSTUD 5/8" X16-21	VSTUD 1/2" X16-21	VSTUD 5/8" X16-21	VSTUD 5/8" X16-21	VSTUD 5/8" X16-21
<b>STUDS 21"-26" EXTENDED THREAD ON ONE SIDE</b>	VSTUD 9/16" X21-26	VSTUD 5/8" X21-26	VSTUD 5/8" X21-26	VSTUD 5/8" X21-26	VSTUD 5/8" X21-26	VSTUD 1/2" X21-26	VSTUD 5/8" X21-26	VSTUD 5/8" X21-26	VSTUD 5/8" X21-26
<b>W SMALL PARTS</b>									
	**Substitute ? with Bolt Length (Imperial)								
<b>PLUG DRAIN</b>	WX-131-11	WX-131-11	WX-131-11	WX-131-11	WX-131-11	WX-131-11	WX-131-11	WX-131-11	WX-131-11
<b>PLUG SHAFT END COVER</b>	WT-131-1391	WT-131-1391	WT-131-1391	WT-131-1391	WT-131-1391	WT-131-1391	WT-131-1391	WT-131-1391	WT-131-1391
<b>CHECK VALVES</b>	WM-131-1391	WM-131-1391	WM-131-1391	WM-131-1391	WM-131-1391	WM-131-1391	WM-131-1391	WM-131-1391	WM-131-1391

## Fasteners

		05	07	10	12	15	17	20	22	25	27	30	THREAD
<b>120</b>	BOLT FOR SINGLE STUD FOR TANDEM	4.00	4.25	4.50	4.75	5.00	5.25	5.50					5/16" UNC
		ADD ON BEARING CARRIER WIDTH (2.50) PLUS HOUSING WIDTH TO BOLT LENGTH											
<b>131</b>	BOLT FOR SINGLE STUD FOR TANDEM	4.00	4.25	4.50	4.75	5.00	5.25	5.50	5.75	6.00			3/8" UNC
		ADD ON BEARING CARRIER WIDTH (2.50) PLUS HOUSING WIDTH TO BOLT LENGTH											
<b>151</b>	BOLT FOR SINGLE STUD FOR TANDEM	3.75	4.00	4.25	4.50	4.75	5.00	5.25	5.50	5.75			3/8" UNC
		ADD ON BEARING CARRIER WIDTH (2.88) PLUS HOUSING WIDTH TO BOLT LENGTH											
<b>176</b>	BOLT FOR SINGLE STUD FOR TANDEM		5.00	5.25	5.50	5.75	6.00	6.25	6.50	6.75	7.00	7.25	3/8" UNC
		ADD ON BEARING CARRIER WIDTH (3.00) PLUS HOUSING WIDTH TO BOLT LENGTH											
<b>215</b>	BOLT FOR SINGLE STUD FOR TANDEM	2.75	3.00	3.25	3.50	3.75	4.00	4.25					1/2" UNC
		ADD ON BEARING CARRIER WIDTH (2.62) PLUS HOUSING WIDTH TO BOLT LENGTH											
<b>230</b>	BOLT FOR SINGLE STUD FOR TANDEM	3.75	4.00	4.25	4.50	4.75	5.00	5.25					3/8" UNC
		ADD ON BEARING CARRIER WIDTH (3.50) PLUS HOUSING WIDTH TO BOLT LENGTH											
<b>250</b>	BOLT FOR SINGLE STUD FOR TANDEM	3.75	4.00	4.25	4.50	4.75	5.00	5.25	5.50	5.75			3/8" UNC
		ADD ON BEARING CARRIER WIDTH (3.50) PLUS HOUSING WIDTH TO BOLT LENGTH											
<b>265</b>	BOLT FOR SINGLE STUD FOR TANDEM		4.75	5.00	5.25	5.50	5.75	6.00	6.25	6.50			3/8" UNC
		ADD ON BEARING CARRIER WIDTH (4.00) PLUS HOUSING WIDTH TO BOLT LENGTH											



# BEARING RANGE



## Pump & Motor Specifications

### CODE

	<b>-05</b> 0.50"(1/2")	<b>-07</b> 0.75"(3/4")	<b>-10</b> 1.00"(1")	<b>-12</b> 1.25"(1 1/4")	<b>-15</b> 1.50"(1 1/2")	<b>-17</b> 1.75"(1 3/4")	<b>-20</b> 2.00"(2")	<b>-22</b> 2.25"(2 1/4")	<b>-25</b> 2.50"(2 1/2")	<b>-27</b> 2.75"(2 3/4")	<b>-30</b> 3.00"(3")
<b>120</b>	<b>1.25"(1 1/4")</b>	<b>1.50"(1 1/2")</b>	<b>1.75"(1 3/4")</b>	<b>2.00"(2")</b>	<b>2.25"(2 1/4")</b>	<b>2.50"(2 1/2")</b>	<b>2.75"(2 3/4")</b>				
Gear Housing Width	16.00	24.10	32.20	40.30	48.30	56.40	64.50				
cc/rev	16.00	24.10	32.20	40.30	48.30	56.40	64.50				
Lpm (at 1000rpm)	0.99	1.48	1.97	2.46	2.96	3.45	3.94				
cu in (cu in/rev)	4.23	6.37	8.51	10.65	12.76	14.90	17.04				
US gpm (at 1000rpm)	205	205	205	205	205	170	170				
Max Pressure (bar)	3000	3000	3000	3000	3000	2500	2500				
Max Pressure (psi)	2400	2400	2400	2400	2400	2400	2400				
Max Speed (rpm)	10.80	11.30	11.80	12.50	13.20	13.80	14.70				
Pump Weight (kg)	9.50	9.90	10.40	10.90	11.30	11.80	12.70				
Additional sect add (kg)											
<b>125</b>	<b>1.25"(1 1/4")</b>	<b>1.50"(1 1/2")</b>	<b>1.75"(1 3/4")</b>	<b>2.00"(2")</b>	<b>2.25"(2 1/4")</b>	<b>2.50"(2 1/2")</b>	<b>2.75"(2 3/4")</b>	<b>3.00"(3")</b>	<b>3.25"(3 1/4")</b>		
Gear Housing Width	20.80	31.20	41.70	52.10	62.60	73.00	83.50	94.00	104.40		
cc/rev	20.80	31.20	41.70	52.10	62.60	73.00	83.50	94.00	104.40		
Lpm (at 1000rpm)	1.28	1.91	2.55	3.19	3.82	4.46	5.10	5.74	6.38		
cu in (cu in/rev)	5.50	8.24	11.02	13.76	16.54	19.29	22.06	24.84	27.58		
US gpm (at 1000rpm)	170	170	170	170	170	153	153	138	138		
Max Pressure (bar)	2500	2500	2500	2500	2500	2250	2250	2000	2000		
Max Pressure (psi)	2400	2400	2400	2400	2400	2400	2400	2400	2400		
Max Speed (rpm)	17.00	17.00	17.00	17.50	18.00	19.00	19.50	22.00	22.50		
Pump Weight (kg)	17.00	17.00	17.00	17.50	18.00	19.00	19.50	22.00	22.50		
Additional sect add (kg)											
<b>130</b> <b>131</b>	<b>1.25"(1 1/4")</b>	<b>1.50"(1 1/2")</b>	<b>1.75"(1 3/4")</b>	<b>2.00"(2")</b>	<b>2.25"(2 1/4")</b>	<b>2.50"(2 1/2")</b>	<b>2.75"(2 3/4")</b>	<b>3.00"(3")</b>	<b>3.25"(3 1/4")</b>		
Gear Housing Width	18.00	24.10	32.20	40.30	48.30	56.40	64.50	72.60	80.00		
cc/rev	18.00	24.10	32.20	40.30	48.30	56.40	64.50	72.60	80.00		
Lpm (at 1000rpm)	0.99	1.48	1.97	2.46	2.96	3.45	3.94	4.43	4.92		
cu in (cu in/rev)	4.23	6.37	8.51	10.65	12.76	14.90	17.04	19.18	21.14		
US gpm (at 1000rpm)	170/205	170/205	170/205	170/205	170/205	153/170	153/170	138/153	138/153		
Max Pressure (bar)	2500/3000	2500/3000	2500/3000	2500/3000	2500/3000	2250/2500	2250/2500	2000/2250	2000/2250		
Max Pressure (psi)	2400	2400	2400	2400	2400	2400	2400	2400	2400		
Max Speed (rpm)	15.00	15.00	15.00	15.50	16.00	16.50	17.00	17.50	18.00		
Pump Weight (kg)	12.00	12.00	12.00	12.50	13.00	14.00	14.50	15.00	15.50		
Additional sect add (kg)											
<b>150</b> <b>151</b>	<b>1.25"(1 1/4")</b>	<b>1.50"(1 1/2")</b>	<b>1.75"(1 3/4")</b>	<b>2.00"(2")</b>	<b>2.25"(2 1/4")</b>	<b>2.50"(2 1/2")</b>	<b>2.75"(2 3/4")</b>	<b>3.00"(3")</b>	<b>3.25"(3 1/4")</b>		
Gear Housing Width	20.80	31.20	41.70	52.10	62.60	73.00	83.50	94.00	104.40		
cc/rev	20.80	31.20	41.70	52.10	62.60	73.00	83.50	94.00	104.40		
Lpm (at 1000rpm)	1.28	1.91	2.55	3.19	3.82	4.46	5.10	5.74	6.38		
cu in (cu in/rev)	5.50	8.24	11.02	13.76	16.54	19.29	22.06	24.84	27.58		
US gpm (at 1000rpm)	170/205	170/205	170/205	170/205	170/205	153/170	153/170	138/153	138/153		
Max Pressure (bar)	2500/3000	2500/3000	2500/3000	2500/3000	2500/3000	2250/2500	2250/2500	2000/2250	2000/2250		
Max Pressure (psi)	2400	2400	2400	2400	2400	2400	2400	2400	2400		
Max Speed (rpm)	17.00	17.00	17.00	17.50	18.00	19.00	19.50	22.00	22.50		
Pump Weight (kg)	17.00	17.00	17.00	17.50	18.00	19.00	19.50	22.00	22.50		
Additional sect add (kg)											
<b>175</b> <b>176</b>		<b>1.75"(1 3/4")</b>	<b>2.00"(2")</b>	<b>2.25"(2 1/4")</b>	<b>2.50"(2 1/2")</b>	<b>2.75"(2 3/4")</b>	<b>3.00"(3")</b>	<b>3.25"(3 1/4")</b>	<b>3.50"(3 1/2")</b>	<b>3.75"(3 3/4")</b>	<b>4.00"(4")</b>
Gear Housing Width		50.30	67.10	84.00	100.60	117.50	134.30	151.00	168.00	184.50	200.00
cc/rev		50.30	67.10	84.00	100.60	117.50	134.30	151.00	168.00	184.50	200.00
Lpm (at 1000rpm)		3.07	4.09	5.13	6.14	7.17	8.20	9.21	10.25	11.28	12.30
cu in (cu in/rev)		13.29	17.73	22.19	26.58	31.04	35.48	39.89	44.39	48.75	52.84
US gpm (at 1000rpm)		170/205	170/205	170/205	170/205	170/205	170/205	153/170	153/170	138/153	138/153
Max Pressure (bar)		2500/3000	2500/3000	2500/3000	2500/3000	2500/3000	2500/3000	2250/2500	2250/2500	2000/2250	2000/2250
Max Pressure (psi)		2400	2400	2400	2400	2400	2400	2400	2400	2400	2400
Max Speed (rpm)		33.00	33.00	34.00	35.00	36.00	37.00	38.00	39.00	40.00	41.00
Pump Weight (kg)		33.00	33.00	34.00	35.00	36.00	37.00	38.00	39.00	40.00	41.00
Additional sect add (kg)											

THE ABOVE DATA ARE AVERAGE RESULTS BASED ON A SERIES OF TESTS AND ARE NOT NECESSARILY REPRESENTATIVE OF ANY SINGLE UNIT. GEAR PUMP MANUFACTURING RESERVES THE RIGHT TO AMEND THE TECHNICAL DATA WITHOUT NOTICE.

Useful Formulae	To Convert Into	Inches	Bar	Cu in/rev	US GPM	US GPM	kg
	Millimeters	25.4	14.5	cc/rev	Cu in/rev	cc/rev	lbs
	Multiply by				2.31	3.785	2.205

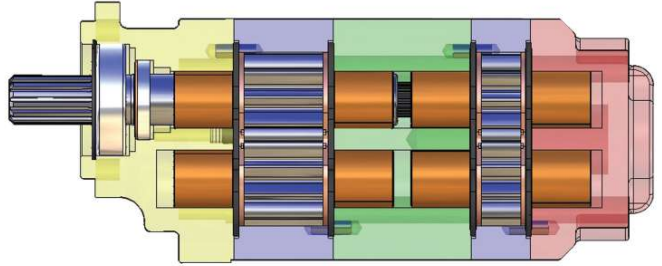
**GP** = PUMP  
**GM** = MOTOR  
**GF** = FLOW DIVIDER  
**GA** = ADD ON  
**GB** = STEP DOWN  
**GZ** = PUMP / MOTOR COMBO





# BUSHING RANGE

## Pump & Motor Specifications



Manufactured in South Africa

### CODE

DASH SIZE GEAR WIDTH		<b>05</b>	<b>07</b>	<b>10</b>	<b>12</b>	<b>15</b>	<b>17</b>	<b>20</b>	<b>22</b>	<b>25</b>
		0.50"(1/2")	0.75"(3/4")	1.00"(1")	1.25"(1 1/4")	1.50"(1 1/2")	1.75"(1 3/4")	2.00"(2")	2.25"(2 1/4")	2.50"(2 1/2")
<b>215</b>	Gear Housing Width	0.88"(7/8")	1.13"(1 1/8")	1.38"(1 3/8")	1.63"(1 5/8")	1.88"(1 7/8")	2.13"(2 1/8")	2.38"(2 3/8")		
	cc/rev	10.00	15.00	20.00	25.00	30.00	35.00	40.00		
	Lpm (at 1000rpm)	10.00	15.00	20.00	25.00	30.00	35.00	40.00		
	cu in (cu in/rev)	0.61	0.92	1.22	1.59	1.84	2.15	2.44		
	US gpm (at 1000rpm)	4.23	6.37	8.51	10.65	12.76	14.90	17.04		
	Max Pressure (bar)	240	240	240	240	220	200	170		
	Max Pressure (psi)	3500	3500	3500	3500	3200	2900	2500		
	Max Speed (rpm)	3000	3000	3000	3000	3000	3000	3000		
	Pump Weight (kg)	8.00	8.00	8.00	8.50	9.00	9.50	10.00		
	Additional sect add (kg)	8.00	8.00	8.00	8.50	9.00	9.50	10.00		
<b>230</b>	Gear Housing Width	1.00"(1")	1.25"(1 1/4")	1.50"(1 1/2")	1.75"(1 3/4")	2.00"(2")	2.25"(2 1/4")	2.50"(2 1/2")		
	cc/rev	16.00	24.10	32.20	40.30	48.30	56.40	64.50		
	Lpm (at 1000rpm)	16.00	24.10	32.20	40.30	48.30	56.40	64.50		
	cu in (cu in/rev)	0.99	1.48	1.97	2.46	2.96	3.45	3.94		
	US gpm (at 1000rpm)	4.23	6.37	8.51	10.65	12.76	14.90	17.04		
	Max Pressure (bar)	240	240	240	240	240	220	200		
	Max Pressure (psi)	3500	3500	3500	3500	3200	2900	2500		
	Max Speed (rpm)	3000	3000	3000	3000	3000	3000	3000		
	Pump Weight (kg)	16.00	16.00	16.00	16.60	17.20	17.80	18.40		
	Additional sect add (kg)	14.40	14.40	14.40	14.90	15.50	16.00	16.60		
<b>250</b>	Gear Housing Width	1.00"(1")	1.25"(1 1/4")	1.50"(1 1/2")	1.75"(1 3/4")	2.00"(2")	2.25"(2 1/4")	2.50"(2 1/2")	2.75"(2 3/4")	3.00"(3")
	cc/rev	20.80	31.20	41.70	52.10	62.60	73.00	83.50	94.00	104.40
	Lpm (at 1000rpm)	20.80	31.20	41.70	52.10	62.60	73.00	83.50	94.00	104.40
	cu in (cu in/rev)	1.28	1.91	2.55	3.19	3.82	4.46	5.10	5.74	6.38
	US gpm (at 1000rpm)	5.50	8.24	11.02	13.76	16.54	19.29	22.06	24.84	27.58
	Max Pressure (bar)	240	240	240	240	240	220	200	190	170
	Max Pressure (psi)	3500	3500	3500	3500	3500	3200	3000	2750	2500
	Max Speed (rpm)	2400	2400	2400	2400	2400	2400	2400	2400	2400
	Pump Weight (kg)	22.70	22.70	22.70	23.40	24.10	24.80	25.50	26.20	26.90
	Additional sect add (kg)	22.70	22.70	22.70	23.40	24.10	24.80	25.50	26.20	26.90
<b>265</b>	Gear Housing Width		1.25"(1 1/4")	1.50"(1 1/2")	1.75"(1 3/4")	2.00"(2")	2.25"(2 1/4")	2.50"(2 1/2")	2.75"(2 3/4")	3.00"(3")
	cc/rev		44.00	59.00	73.50	88.00	102.00	118.00	132.60	147.00
	Lpm (at 1000rpm)		44.00	59.00	73.50	88.00	102.00	118.00	132.60	147.00
	cu in (cu in/rev)		2.68	3.60	4.49	5.37	6.22	7.20	8.09	8.97
	US gpm (at 1000rpm)		11.62	15.59	19.42	23.25	26.95	31.18	35.03	38.84
	Max Pressure (bar)		240	240	240	240	240	240	220	200
	Max Pressure (psi)		3500	3500	3500	3500	3500	3500	3250	3000
	Max Speed (rpm)		2400	2400	2400	2400	2400	2400	2400	2400
	Pump Weight (kg)		24.90	24.90	26.00	27.10	28.20	29.30	30.40	31.50
	Additional sect add (kg)		22.70	22.70	23.40	24.10	24.80	25.50	26.20	26.90

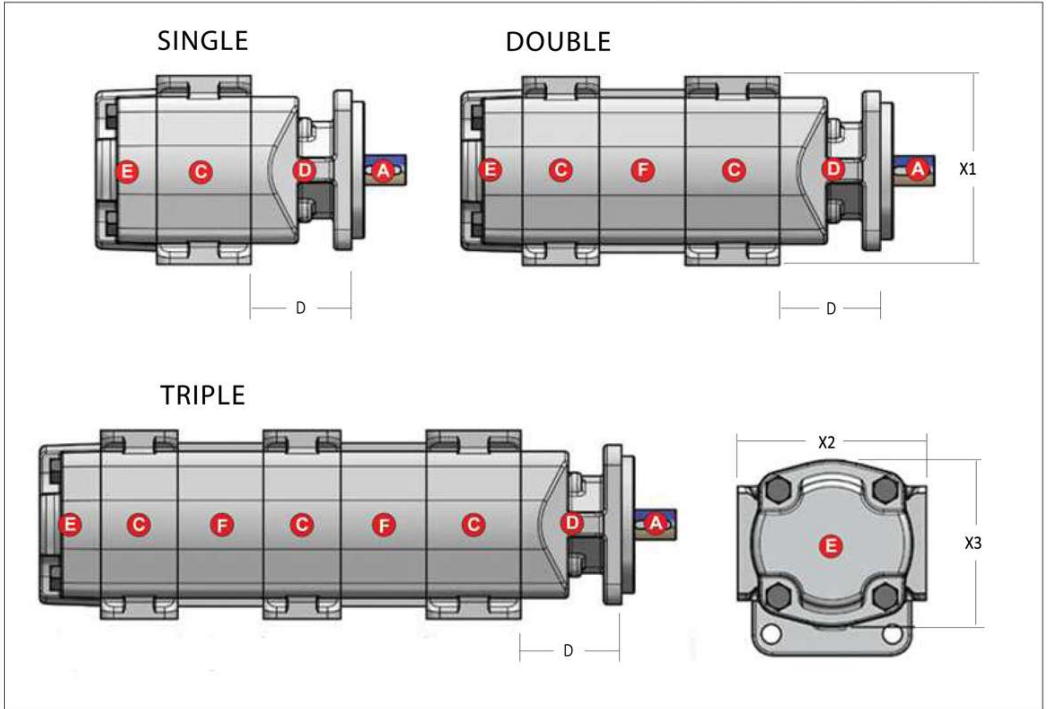
THE ABOVE DATA ARE AVERAGE RESULTS BASED ON A SERIES OF TESTS AND ARE NOT NECESSARILY REPRESENTATIVE OF ANY SINGLE UNIT. GEAR PUMP MANUFACTURING RESERVES THE RIGHT TO AMEND THE TECHNICAL DATA WITHOUT NOTICE.

Useful Formulae	To Convert	Inches	Bar	Cu in/rev	US GPM	US GPM	kg
	Into	Millimeters	Psi	cc/rev	Cu in/rev	cc/rev	lbs
	Multiply by	25.4	14.5	16.39	2.31	3.785	2.205

**GP** = PUMP  
**GM** = MOTOR  
**GF** = FLOW DIVIDER  
**GA** = ADD ON  
**GB** = STEP DOWN  
**GZ** = PUMP / MOTOR COMBO

## PUMP & MOTOR DIMENSIONS

DIMENSIONS ARE FOR REFERENCE PURPOSE ONLY



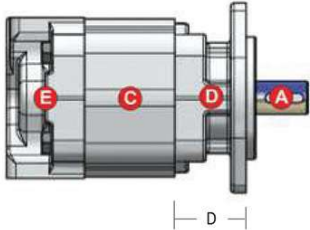
SERIES 120 / 131 / 151			SERIES 176		
HOUSING TABLE	C		C		
	inches	mm	inches	mm	
-05	1 1/4"	31.75	-05		
-07	1 1/2"	38.10	-07	1 3/4"	44.45
-10	1 3/4"	44.45	-10	2"	50.80
-12	2"	50.80	-12	2 1/4"	57.15
-15	2 1/4"	57.15	-15	2 1/2"	63.50
-17	2 1/2"	63.50	-17	2 3/4"	69.85
-20	2 3/4"	69.85	-20	3"	76.20
SERIES 131/151			-22	3 1/4"	82.55
-22	3"	76.20	-25	3 1/2"	88.90
-25	3 1/4"	88.55	-27	3 3/4"	95.25
SERIES 151			-30	4"	101.60
-30	3 3/4"	95.25			

SERIES	D	E	F	X1	X2	X3
120	75mm 2.94"	45mm 1.79"	64mm 2.51"	140mm 5.51"	140mm 5.51"	124mm 4.89"
	76mm 2.98"	47mm 1.85"	64mm 2.51"	146mm 5.75"	135mm 5.33"	140mm 5.51"
151	86mm 3.38"	46mm 1.80"	73mm 2.87"	145mm 5.73"	145mm 5.73"	156mm 6.13"
176	96mm 3.76"	59mm 1.97"	76mm 3.00"	189mm 7.44"	189mm 7.44"	201mm 7.92"

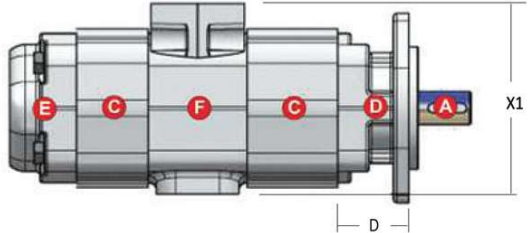
## PUMP & MOTOR DIMENSIONS

DIMENSIONS ARE FOR REFERENCE PURPOSE ONLY

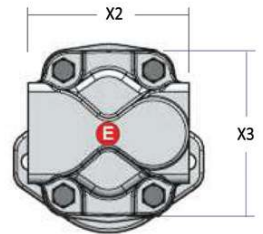
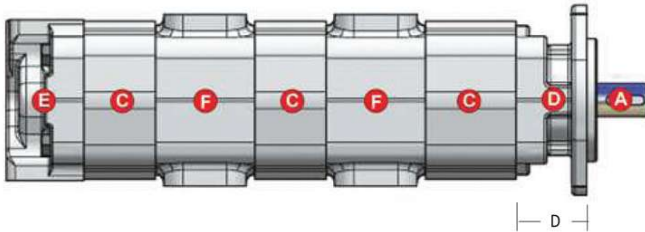
### SINGLE



### DOUBLE



### TRIPLE



SERIES 215			SERIES 230 / 250 / 265		
HOUSING TABLE	C		C		
	inches	mm	inches	mm	
-05	7/8"	22.22	-05	1"	25.40
-07	1 1/8"	28.57	-07	1 1/4"	31.75
-10	1 3/8"	34.92	-10	1 1/2"	38.10
-12	1 5/8"	41.27	-12	1 3/4"	44.45
-15	1 7/8"	47.62	-15	2"	50.80
-17	2 1/8"	53.97	-17	2 1/4"	57.15
-20	2 3/8"	60.32	-20	2 1/2"	63.50
			-22	2 3/4"	69.85
			-25	3"	76.20
			SERIES 265		
			-27	3 1/4"	82.55
			SERIES 250 / 265		
			-30	3 1/2"	88.90

SERIES	D	E	F	X1	X2	X3
215	48 mm 1.88"	52 mm 2.06"	67 mm 2.62"	128 mm 5.03"	108 mm 4.25"	112 mm 4.39"
	80 mm 3.15"	56 mm 2.20"	89 mm 3.5"	173 mm 6.82"	179 mm 7.06"	149 mm 5.87"
230						
250	89 mm 3.52"	56 mm 2.22"	89 mm 3.50"	195 mm 7.68"	184 mm 7.25"	157mm 6.18"
	96 mm 3.76"	76 mm 2.97"	102 mm 4.01"	212 mm 8.33"	188 mm 7.42"	189 mm 7.44"
265						





# Pump Builder

STEP 1		STEP 2	STEP 3		STEP 4		STEP 5		STEP 6		STEP 7		STEP 8	
Unit Type		Series	Stages and rotation		Shaft Type		Shaft Dimension		Mounting Type		Mounting Dimension		Case Drain	
GP	pump	114	A	one-cw	1	solid standard	A	A spline 9	1	standard with bearing	A	2 bolt A 3 1/4"	A	none
GM	motor	115	B	one-cw	2	solid short type 2	B	B spline 13	2	standard without bearing	B	2 bolt B 4"	B	1/4" npt
GF	flow divider	120	C	one-bi	3	solid special	C	C spline 14	3	short type 2 (no bearing)	C	2 bolt C 5"	C	1/4" bspp
GA	add a pump	125	D	two-cw	4	continental standard	D	BB spline 15	4	short type 2 (no bearing) and seal spacer	D	4 bolt B 4"	D	1/4" odt
GB	piggyback	130	E	two-cw	5	continental short	E	A keyed 5/8"	5	standard with bearing and seal spacer	E	4 bolt C 5"	E	3/8" odt
GZ	pump / motor	131	F	two-bi	6	continental long	F	B keyed 7/8"	6	standard with bearing and seal spacer	F	4 bolt D 6"	F	3/16" telltale
		150	G	three-cw	7	continental special	G	BB keyed 1"	7	standard with bearing spacer	G	6 bolt round	G	special/other
		151	H	three-cw	8	flow divider	H	C keyed 1 1/4"	8	standard with bearing spacer and seal spacer	H	fan mount		
		175	J	three-bi	9	pump / motor	HI	keyed 1 3/4"	9	standard with bearing spacer and seal spacer	J	pad mount clutch		
		176	K	four-cw			J	BB spline 6			K	flow divider		
		215	L	four-cw			K	spline 8			L	2/4 bolt B 4"		
		230	M	four-bi			L	spline 10			M	2/4 bolt C 5"		
		250	N	five-cw			M	spline 11			N	3 bolt uni		
		265	P	five-cw			N	spline 17			P	4 bolt din		
		411	Q	five-bi			P	spline 13 1/4"			Q	fan motor		
		412	R	six-cw			Q	keyed 3/4"			R	pump / motor		
		413	S	six-cw			R	keyed 7/8" threaded			S	special / other		
		414	T	six-bi			S	keyed 1 1/8"			T	chelsea mount		
		230 / 215					U	keyed 45mm			U	4 bolt group 3 euro		
		250 / 215					V	taper 1.4"			V	4 bolt round		
		265 / 230					V	taper 1:5 int. thd			W	Ford 3 bolt 95.2 spi		
		250 / 2A					V1	taper 1:8						
		250 / 2B					V2	taper 1:5 ext. thd						
		265 / 2A					W	taper 7/8"						
		265 / 2B					X	special / other						
							Y	flow divider						
							Z	pump / motor						

131 / 131
151 / 131
176 / 131
176 / 151
230 / 215
250 / 215
265 / 230
250 / 2A
250 / 2B
265 / 2A
265 / 2B

To build a part number for a single pump complete Steps 1-14 and add Steps 15, 16, 11, 12 for each additional section

housing	blank	sfu	sfm	odt	bapp	npt	mixed porting
blank	blank						
1/2"	blank						
1/2"	1/2"					cnb	ca-
3/4"	blank	cu	oma	coa	cba	cnc	
3/4"	3/4"	cub	cm	coo	ccb	cnd	cb-
7/8"	blank	cuc	cmh	coi	cbc		
1"	blank	cud	cm	cod	cbd	cm	
1"	3/4"	cue	cm	coe	cbe	cnf	cc-
1"	7/8"	cu	cm	cof			cd-
1"	1"	cuf	cm	cof	cbf	cnf	ce-
1 1/4"	blank	cue	cmf	coh	cbg	cnh	
1 1/4"	3/4"	cuf	cmg	coh	cbh	cnj	cf-
1 1/4"	1"	cug	cmh	coi	cbj	cnk	cg-
1 1/4"	1 1/4"	cuh	cmj	col	cbk	cnl	ch-
1 1/2"	blank	cuj	cmk	com	cnm		
1 1/2"	3/4"			con	cn	ci-	
1 1/2"	1"	cu	cm	coo	cbi	cno	cj-
1 1/2"	1 1/4"	cui	cm	cop	cbm	cnj	ck-
1 1/2"	1 1/2"	cun	cm	coq	cbn	cnr	cl-
2"	blank						
2"	1"	cup		cbp	cm-		
2"	1 1/4"	cud	cmp	cbq	cn-		
2"	1 1/2"	cu	cmq	cbr	co-		
2"	2"	cus	cmr	cbs	cp-		
2 1/2"	1 1/4"	cut		cbt	cq-		
2 1/2"	1 1/2"	cuw	cms	cbu	cr-		
2 1/2"	2"	cuz		cbv	cs-		
special	special	spl					

port end covers	blank	sfu	sfm	odt	bssp	npt	mixed porting
blank	blank						
1/2"	blank	eu	ema	eo	eba	ena	ea-
1/2"	1/2"	eub	emb	eoc	ebc	enb	eb-
5/8"	blank			eod	ebd	enb	ec-
3/4"	blank	euw	emu	eob	ebc	enb	eb-
3/4"	1/2"	euf	em	eof	ebc	enb	eb-
3/4"	5/8"	euc	emc	eog	ebe	enc	ed-
3/4"	3/4"	eud	emd	ej	ebg	ee-	
7/8"	blank			eoh	ebf		
7/8"	1/2"	eud	emd	ej	ebg	ee-	
7/8"	5/8"			eok	ebf	ef-	
7/8"	3/4"			eol	ebh	eg-	
7/8"	7/8"			oom	ebj	eh-	
1"	blank	euf	eme	eon	ekk		
1"	1/2"	euf	emf	ebw	ej-		
1"	5/8"			eoo	ek-		
1"	3/4"	eu	emg	eop	ebi	end	el-
1"	7/8"			eoq	ebm	em-	
1"	1"	euj	emh	eor	ebn	ene	em-
1 1/4"	blank	euk	emj	eos	ebo		
1 1/4"	5/8"			eot		eo-	
1 1/4"	3/4"	eu	emk	eow	ebp	enf	ep-
1 1/4"	7/8"			eov	ebq	eq-	
1 1/4"	1"	eul	emk	eow	ebr	eng	er-
1 1/4"	1 1/4"	eum	eml	esx	ebc	es-	
1 1/2"	blank	eun	emn	edt			
1 1/2"	1"	eun	em	ebu	etu	eu-	
1 1/2"	1 1/4"	sup	emo	eo	ebv	eu-	
1 1/2"	1 1/2"	euq	emp			ev-	
2"	blank	eur	emq			ew-	
2"	1"	eus	emr			ex-	
2"	1 1/4"	eut	ems			ey-	
2"	1 1/2"	euv	emt			ez-	
special	special	spl					

# Pump Builder

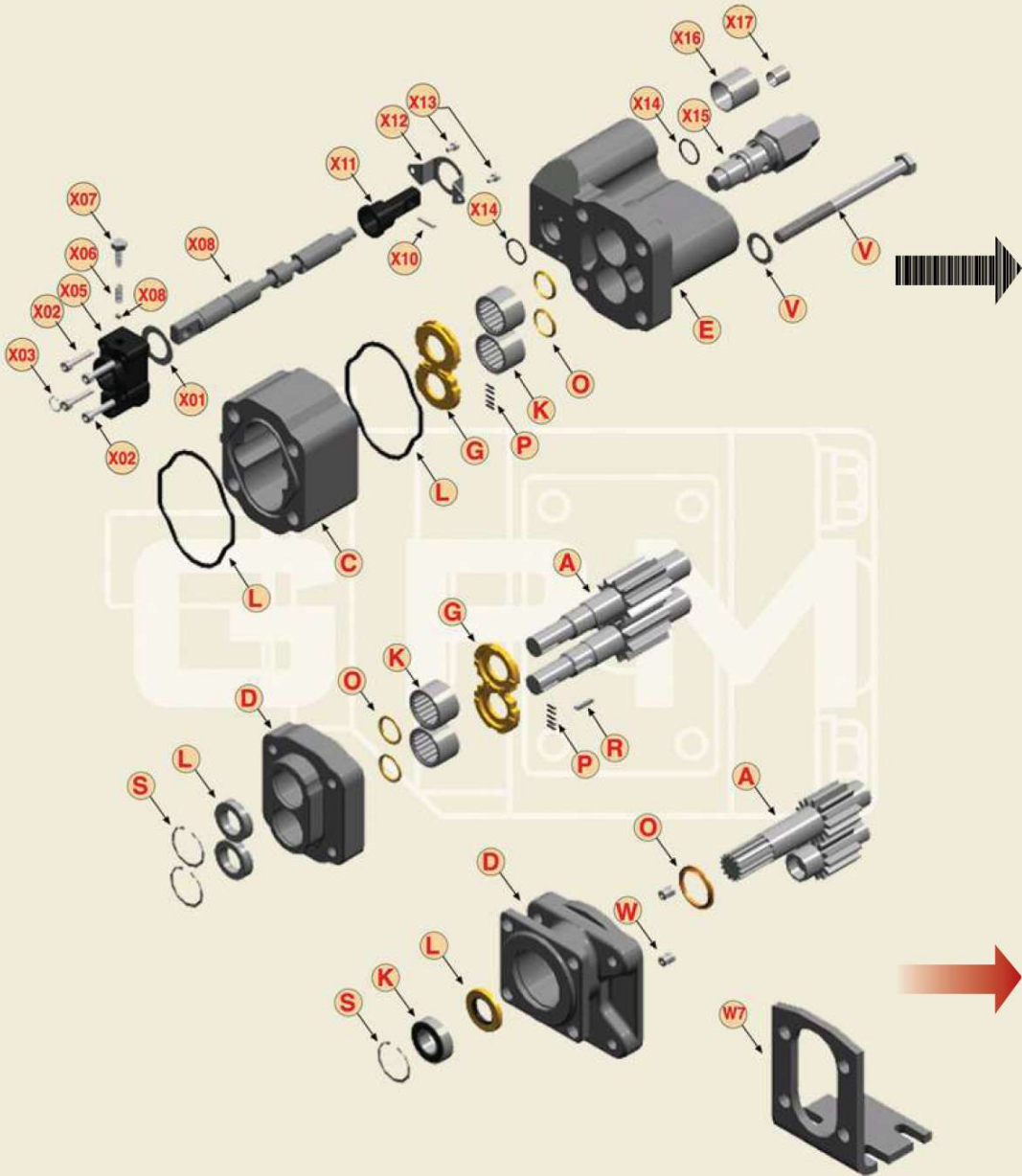


STEP 9	STEP 10	STEP 11	STEP 12	STEP 13	STEP 14	STEP 15	STEP 16	STEP 11	STEP 12
<b>Case Drain Position</b>	<b>Extended Studs</b>	<b>Housing code</b>	<b>Housing Ports</b>	<b>Port End Cover type</b>	<b>Pec Ports</b>	<b>Bearing Carrier Type</b>	<b>Bearing Carriers</b>	<b>Housing code</b>	<b>Housing Ports</b>
A none	A none	03	1	1 blank - no ports		A blank - no ports		03	
B sec 3 o'clock	B drive side - top	05	2	2 1 port - suction - side		B common suction only		05	
C sec 6 o'clock	C idler side - bottom	06	3	3 1 port - suction - rear		C suction only		06	
D sec 9 o'clock		07	4	4 1 port - pressure - side		D pressure only		07	
E sec 12 o'clock		08	5	5 1 port - pressure - rear		E 1 suction 1 pressure		08	
F pec drive		10	6	6 2 ports - suction - side		F 1 suction 2 pressures		10	
G pec idler		11	7	7 2 ports - suction - side - pressure - side		G 131 / piggyback		11	
		12	8	8 2 ports - suction - rear		H 151 / piggyback		12	
		13	9	9 2 ports - suction - rear - pressure - rear		J 176 / piggyback		13	
		15	0	0 4 ports - suction - side & rear - pressure - side & rear		K 230 / 215 piggyback		15	
		16				L 250 / 215 piggyback		16	
		17				M 265 / 230 piggyback		17	
		18				N 2 bolt A add a pump 9 spl		18	
		20				P 2 bolt A add a pump 13 spl		20	
		22				Q 2 bolt A add a pump 15 spl		22	
		25				R 2 bolt B add a pump 9 spl		25	
		27				S 2 bolt B add a pump 13 spl		27	
		30				T 2 bolt B add a pump 15 spl		30	
						U special / other			
						V common suction/1 pressure			
						W pump / motor			

bearing carriers	blank	sfu	sfm	odt	bsp	npt	mixed porting
blank	blank	f					
c/suction	blank	fff					
1/2"	3/4"	fua	fma	foa	faa	fa-	
3/4"	blank	fub	fmb	fob	fab	fb-	
3/4"	5/8"	fuc	fmc	fof	fac	fc-	
3/4"	3/4"	fud	fmd	foe	fad	fd-	
1"	blank	fue	fme	foe	fae	fe-	
1"	5/8"	fuf	fme	fof	fae	fe-	
1"	3/4"	fuf	fme	fof	fae	fe-	
1"	7/8"	fuf	fme	fof	fae	fe-	
1"	1"	fuf	fme	fof	fae	fe-	
1 1/4"	blank	fuh	fmu	foh	faa	fh-	
1 1/4"	1/2"	fuh	fmu	foh	faa	fh-	
1 1/4"	5/8"	fuh	fmu	foh	faa	fh-	
1 1/4"	3/4"	fuh	fmu	foh	faa	fh-	
1 1/4"	7/8"	fuh	fmu	foh	faa	fh-	
1 1/4"	1"	fuh	fmu	foh	faa	fh-	
1 1/2"	1"	fug	fmu	fof	faa	fg-	
1 1/2"	1 1/4"	fug	fmu	fof	faa	fg-	
1 1/2"	7/8"	fug	fmu	fof	faa	fg-	
1 1/2"	1"	fug	fmu	fof	faa	fg-	
1 1/2"	1 1/4"	fug	fmu	fof	faa	fg-	
1 1/2"	1 1/2"	fug	fmu	fof	faa	fg-	
2"	1"	fuh	fmu	foh	faa	fh-	
2"	1 1/4"	fuh	fmu	foh	faa	fh-	
2"	1 1/2"	fuh	fmu	foh	faa	fh-	
2"	2"	fuh	fmu	foh	faa	fh-	
2 1/2"	1"	fuh	fmu	foh	faa	fh-	
2 1/2"	1 1/4"	fuh	fmu	foh	faa	fh-	
2 1/2"	1 1/2"	fuh	fmu	foh	faa	fh-	
special	special	spl					

bearing carriers	blank	sfu	sfm	odt	bsp	npt	mixed porting
blank	blank	g					
1"	1/2"	1/2"	gua	gma	gaa	ga-	
1"	3/4"	1/2"	gub	gmb	gab	gb-	
1"	5/8"	5/8"	guc	gmc	gac	gc-	
1"	3/4"	5/8"	guc	gmc	gac	gc-	
1"	3/4"	3/4"	guc	gmc	gac	gc-	
1"	1"	3/4"	guc	gmc	gac	gc-	
1"	7/8"	7/8"	gud	gmd	gad	gd-	
1"	1"	7/8"	gud	gmd	gad	gd-	
1"	1"	1"	gud	gmd	gad	gd-	
1 1/4"	1/2"	1/2"	guf	guf	gaf	gf-	
1 1/4"	5/8"	5/8"	guf	guf	gaf	gf-	
1 1/4"	3/4"	1/2"	guf	guf	gaf	gf-	
1 1/4"	3/4"	5/8"	guf	guf	gaf	gf-	
1 1/4"	3/4"	3/4"	guf	guf	gaf	gf-	
1 1/4"	1"	3/4"	guf	guf	gaf	gf-	
1 1/4"	7/8"	7/8"	guf	guf	gaf	gf-	
1 1/4"	1"	7/8"	guf	guf	gaf	gf-	
1 1/4"	1"	1"	gug	gmg	gag	gu-	
1 1/4"	1 1/4"	1"	gug	gmg	gag	gu-	
1 1/4"	1 1/4"	1 1/4"	gug	gmg	gag	gu-	
1 1/2"	3/4"	3/4"	gui	gmi	gai	gi-	
1 1/2"	7/8"	7/8"	gui	gmi	gai	gi-	
1 1/2"	1"	7/8"	gui	gmi	gai	gi-	
1 1/2"	1"	1"	gui	gmi	gai	gi-	
1 1/2"	1"	1"	gui	gmi	gai	gi-	
1 1/2"	1 1/4"	1"	gui	gmi	gai	gi-	
1 1/2"	1 1/4"	1 1/4"	gui	gmi	gai	gi-	
1 1/2"	1 1/2"	1 1/2"	gui	gmi	gai	gi-	
2"	1"	1"	gus	gms	gas	gu-	
2"	1 1/4"	1"	gus	gms	gas	gu-	
2"	1 1/4"	1 1/4"	gus	gms	gas	gu-	
2"	1 1/2"	1"	gus	gms	gas	gu-	
2"	1 1/2"	1 1/4"	gus	gms	gas	gu-	
2"	1 1/2"	1 1/2"	gus	gms	gas	gu-	
2 1/2"	1"	1"	gus	gms	gas	gu-	
2 1/2"	1 1/4"	1"	gus	gms	gas	gu-	
2 1/2"	1 1/4"	1 1/4"	gus	gms	gas	gu-	
2 1/2"	1 1/2"	1"	gus	gms	gas	gu-	
2 1/2"	1 1/2"	1 1/4"	gus	gms	gas	gu-	
2 1/2"	1 1/2"	1 1/2"	gus	gms	gas	gu-	
special	special	special	spl				

Mixed Porting	
sfu-odt	1
sfu-bsp	2
sfu-npt	3
sfm-odt	4
sfm-bsp	5
sfm-npt	6
odt-bsp	7
odt-npt	8
bsp-npt	9



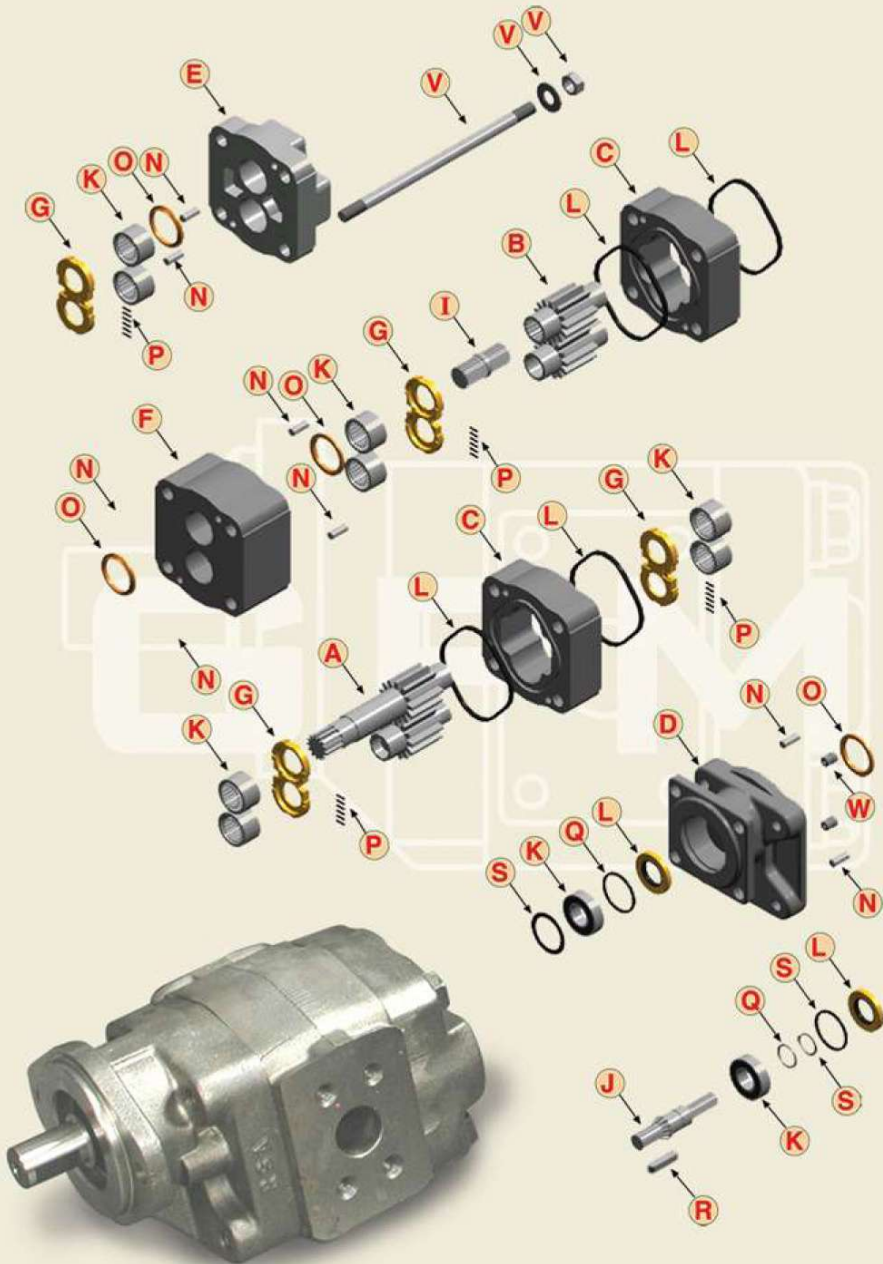
CODE	GPM unique no.	Description	Factory No.	Part No.	Reference*	Used
<b>INTEGRAL GEAR SETS</b>						
<b>A</b>	ADE-110-15 gs	110 Gear Set -15	0350-093-100	110-5120-13	314 2915 740	110
	ADE-110-20 gs	110 Gear Set -20	0350-090-100	110-5120-13	314 2920 740	110
	ADE-110-25 gs	110 Gear Set -25	0350-091-100	110-5125-13	314 2925 740	110
	AVD-151-15 gs	151 7/8" 13 Spl Gear Set -15	0350-072-100	151-5115-32	313 2915 230	112
	AVD-151-20 gs	151 7/8" 13 Spl Gear Set -20	0350-074-100	151-5120-32	313 2920 230	112
	AVD-151-1-25 gs	151 7/8" 13 Spl Gear Set -25 single	0455-066-100	151-5125-32	313 2925 130	112
<b>GEAR HOUSING</b>						
<b>C</b>	CC-110-15 hsg	110 Housing -15	0455-074-500	110-2115-00	314 8215 100	common
	CC-110-20 hsg	110 Housing -20	0455-073-500	110-2120-00	314 8220 100	common
	CC-101-25 hsg	110 Housing -25	0455-072-500	110-2125-00	314 8225 100	common
<b>SEC - SHAFT END COVERS</b>						
<b>D</b>	DC-110 sec	110 Shaft End Cover	0455-070-500	110-1061-10	314 5039 201	110
	DHB-151 4b4* sec	151 SEC 4 Bolt 4" B	0450-053-501	151-1331-10	313 5037 201	112
<b>PEC - PORT END COVERS</b>						
<b>E</b>	EGP-110 pec	110 PEC	0455-071-500	110-4000-00		110
	EGP-112 pec	112 PEC	0455-078-500	112-4200-00		112
<b>THRUST PLATES</b>						
<b>G</b>	GC-110 tp	110 Thrust Plate	0455-075-500	110-8120-00	391 2185 016	110
	GY-151 tp	151 Thrust Plate	0450-036-500	151-1400-00		112
<b>BEARINGS</b>						
<b>K</b>	KS-151 roller brg	151/125 Roller Bearing	0425-118-200	151-8010-00	391 0381 059	common
<b>SEALS</b>						
<b>L</b>	LX-151-3 motor seal	125 Shaft Seal Motor C	0455-199-200	125-8714-00		110
	LUB-151-244 bs	125/151 Body Seal	0425-117-200	151-8720-00	391 2884 021	common
	LX-151-8 motor seal	151 Shaft Seal Motor I	0450-101-200	151-8713-00	391 2883 115	112
<b>RING SEALS</b>						
<b>O</b>	ONB-151-1 ring seal	151 Ring Seal	0450-038-200	151-8910-00	391 2585 009	common
<b>O-RINGS</b>						
<b>P</b>	PBA-131-2 ps	131/151 Pocket Seal for 2 plates	0430-107-200	XXX-8743-90	391 2882 051	common
<b>SPACERS</b>						
<b>Q</b>	QVB/AC-151 spacer	151 Bearing Spacer	0450-039-200	151-8440-00	391 3383 087	112
<b>KEYS</b>						
<b>R</b>	RX-13 key	290 Key 1/4" x 3/8" x 1 1/4"	0425-130-200	XXX-8920-01	391 1781 021	110
<b>SNAP RINGS</b>						
<b>S</b>	SX-151-283 snap ring	151 Snap Ring SEC	0450-103-200	151-8310-00	391 2686 065	112
	SX-110-283 snap ring	110 Snap Ring SEC	0455-196-200	110-8310-00		110
<b>BOLTS, STUDS, NUTS AND WASHERS</b>						
<b>V</b>	VBOLT 5/8" X 6.00"	290 Bolt 5/8" UNC	0425-156-200	XXX-8212-D0	391 1401 405	112
	VBOLT 5/8" X 7.00" ext thrd	290 Bolt 5/8" UNC	0455-168-200			110
	VBOLT 5/8" X 7.50" ext thrd	290 Bolt 5/8" UNC	0455-185-200			110
	VSTUD 5/8" X 07.5"	290 Stud 5/8" unc 07.5"	0484-075-500	XXX-8222-X2	391 1425 110	112
	VWASHER 5/8"	290-131/151/230/250 5/8" washer	0450-177-500	XXX-8242-00	391 3784 028	common
	VNUT 5/8"	290-5/8" Nut	0455-176-200	XXX-8230-00	391 1451 076	common



CODE	GPM unique no.	Description	Factory No.	Part No.	Reference*	Used
<b>GENERAL</b>						
<b>W</b>	WGP-110-MB	110 Mounting Bracket	0455-096-200	110-8900-70	314 0100 005	110
	WM-131-1391 check valve	290 Check Valve SEC	0431-001-200	XXX-8820-00	391 3681 001	common
	WT-131-1391 plug	290 Plug SEC	0431-002-200	XXX-8810-00	391 2286 004	common

<b>PEC - SMALL PARTS</b>						
<b>X</b>	X01	X-seal retainer	seal retainer		0455-095-200	common
	X02	X-bolt 5/16" x 1 3/4"	end cap bolts		0455-186-200	common
	X03	X-snap ring	spool snap ring		0455-195-200	common
	X05	X-end cap	end cap		0455-090-200	common
	X06	X-detent spring	detent spring		0455-182-200	common
	X07	X-detent retainer	detent retainer		0455-091-200	common
	X08	X-detent ball	detent ball		0455-181-200	common
	X09	X-spool	spool		0455-089-500	common
	X10	X-roll pin	roll pin		0455-189-200	common
	X11	X-spool end cap	spool end cap		0455-093-200	common
	X12	X-spool bracket	spool bracket		0455-094-200	common
	X13	X-bolt 1/4" x 3/8"	spool bracket screws		0455-187-200	common
	X14	X-oring	spool o-ring		0455-179-200	common
	X15	X-relief valve assembly	relief valve assembly		0455-076-100	common
	X16	X-3 line sleeve	3 - line sleeve		0455-092-500	common
	X17	X-1" npt plug	1" npt plug		0455-188-200	common





# SERIES 120



CODE	GPM unique no.	Description	Factory No.	Part No.	Reference*
<b>INTEGRAL GEAR SETS</b>					
<b>A</b>	AAU-131-07 gs	131 1" 15 Spl Gear Set -07	0330-072-100		312 2907 240
	AAU-131-10 gs	131 1" 15 Spl Gear Set -10	0330-073-100		312 2910 240
	AAU-131-12 gs	131 1" 15 Spl Gear Set -12	0330-074-100		312 2912 240
	AAU-131-15 gs	131 1" 15 Spl Gear Set -15	0330-075-100		312 2915 240
	AAU-131-17 gs	131 1" 15 Spl Gear Set -17	0330-076-100		312 2917 240
	AAU-131-20 gs	131 1" 15 Spl Gear Set -20	0330-077-100		312 2920 240
	AAU-131-22 gs	131 1" 15 Spl Gear Set -22	0330-078-100		312 2922 240
	ABD-131-07 gs	131 7/8" 13 Spl Gear Set -07	0330-022-100	131-5107-32	312 2907 230
	ABD-131-10 gs	131 7/8" 13 Spl Gear Set -10	0330-023-100	131-5110-32	312 2910 230
	ABD-131-12 gs	131 7/8" 13 Spl Gear Set -12	0330-024-100	131-5112-32	312 2912 230
	ABD-131-15 gs	131 7/8" 13 Spl Gear Set -15	0330-025-100	131-5115-32	312 2915 230
	ABD-131-17 gs	131 7/8" 13 Spl Gear Set -17	0330-026-100	131-5117-32	312 2917 230
	ABD-131-20 gs	131 7/8" 13 Spl Gear Set -20	0330-027-100	131-5120-32	312 2920 230
	ABD-131-22 gs	131 7/8" 13 Spl Gear Set -22	0330-028-100		
	ABD-131-25 gs	131 7/8" 13 Spl Gear Set -25	0330-029-100	131-5125-32	312 2925 230
	ABD-131-4-07 gs	131 7/8" 13 Spl Gear Set -07 short	0330-039-100	131-5207-32	312 2907 330
	ABD-131-4-10 gs	131 7/8" 13 Spl Gear Set -10 short	0330-040-100	131-5210-32	312 2910 330
	ABD-131-4-12 gs	131 7/8" 13 Spl Gear Set -12 short	0330-041-100	131-5212-32	312 2912 330
	ABD-131-4-15 gs	131 7/8" 13 Spl Gear Set -15 short	0330-042-100	131-5215-32	312 2915 330
	ABD-131-4-17 gs	131 7/8" 13 Spl Gear Set -17 short	0330-043-100	131-5217-32	312 2917 330
	ABD-131-4-20 gs	131 7/8" 13 Spl Gear Set -20 short	0330-044-100	131-5220-32	312 2920 330
	ADD-131-07 gs	131 7/8" Key Gear Set -07	0330-032-100	131-5107-12	312 2907 630
	ADD-131-10 gs	131 7/8" Key Gear Set -10	0330-033-100	131-5110-12	312 2910 630
	ADD-131-12 gs	131 7/8" Key Gear Set -12	0330-034-100	131-5112-12	312 2912 630
	ADD-131-15 gs	131 7/8" Key Gear Set -15	0330-035-100	131-5115-12	312 2915 630
	ADD-131-17 gs	131 7/8" Key Gear Set -17	0330-036-100	131-5117-12	312 2917 630
	ADD-131-20 gs	131 7/8" Key Gear Set -20	0330-037-100	131-5120-12	312 2920 630
	AED-131-05 gs	131 1" Key Gear Set -05	0330-048-100	130-5105-13	312 2905 740
	AED-131-07 gs	131 1" Key Gear Set -07	0330-049-100	131-5107-13	312 2907 740
	AED-131-10 gs	131 1" Key Gear Set -10	0330-050-100	131-5110-13	312 2910 740
AED-131-12 gs	131 1" Key Gear Set -12	0330-051-100	131-5112-13	312 2912 740	
AED-131-15 gs	131 1" Key Gear Set -15	0330-052-100	131-5115-13	312 2915 740	
AED-131-17 gs	131 1" Key Gear Set -17	0330-053-100	131-5117-13	312 2917 740	
AED-131-20 gs	131 1" Key Gear Set -20	0330-054-100	131-5120-13	312 2920 740	
AED-131-25 gs	131 1" Key Gear Set -25	0330-055-100	131-5125-13	312 2925 740	
ATH-131-17 taper gs	131 15/16 keyed 7/8unf thread	0330-090-100	131-5117-77	312 2917 603	
ATH-230-17 taper gs	230 15/16 keyed 7/8unf thread	0333-090-100	230-5117-17		
<b>CONTINENTAL GEAR SETS</b>					
<b>B</b>	BV-131-05 gs	131 Gear Set -05	0330-011-100	131-5305-00	312 2805 000
	BV-131-07 gs	131 Gear Set -07	0330-012-100	131-5307-00	312 2807 000
	BV-131-10 gs	131 Gear Set -10	0330-013-100	131-5310-00	312 2810 000
	BV-131-12 gs	131 Gear Set -12	0330-014-100	131-5312-00	312 2812 000
	BV-131-15 gs	131 Gear Set -15	0330-015-100	131-5315-00	312 2815 000
	BV-131-17 gs	131 Gear Set -17	0330-016-100	131-5317-00	312 2817 000
	BV-131-20 gs	131 Gear Set -20	0330-017-100	131-5320-00	312 2820 000
	BV-131-22 gs	131 Gear Set -22	0330-018-100	131-5322-00	312 2822 000
	BV-131-25 gs	131 Gear Set -25	0330-019-100	131-5325-00	312 2825 000
	<b>GEAR HOUSINGS</b>				
<b>C</b>	CRD-120-05 hsg	120 Housing -05	0420-005-501	120-2105-00	308 8005 100
	CRD-120-07 hsg	120 Housing -07	0420-007-501	120-2107-00	308 8007 100
	CRD-120-10 hsg	120 Housing -10	0420-010-501	120-2110-00	308 8010 100
	CRD-120-12 hsg	120 Housing -12	0420-012-501	120-2112-00	308 8012 100
	CRD-120-15 hsg	120 Housing -15	0420-015-501	120-2115-00	308 8015 100
	CRD-120-17 hsg	120 Housing -17	0420-017-501	120-2117-00	308 8017 100
	CRD-120-20 hsg	120 Housing -20	0420-020-501	120-2120-00	308 8020 100
<b>SEC - SHAFT END COVERS</b>					
<b>D</b>	DCD-120 chelsea sec	120 SEC Chelsea	0420-049-501	120-1371-10	308 5036 201
	DDB-120 4" combo sec	120 SEC 2/4 Bolt 4" combo	0420-045-501	120-1531-10	308 5053 202
	DED-120 4b4" sec	120 SEC 4 Bolt 4" B	0420-042-501	120-1331-00	308 5030 201
	DFD-120 6b sec	120 SEC 6 Bolt Round	0420-043-501	120-1411-10	308 5043 201
	DGD-120 2b4" sec	120 SEC 2 Bolt 4" B	0420-040-501	120-1231-10	308 5020 201
	DGD-120-SH 2b4" sh sec	120 SEC 2 Bolt 4" B Short	0420-048-501	120-1231-20	308 5029 205
	DWD-120 2b3 1/4" sec	120 SEC 2 Bolt 3" A	0420-041-501	120-1221-10	308 5020 204
<b>PEC - PORT END COVERS</b>					
<b>E</b>	EXD-120 pec	120 PEC port end cover	0420-030-501	120-4100-00	308 3100 100
	EXD-120-S	SPECIAL			SPECIAL

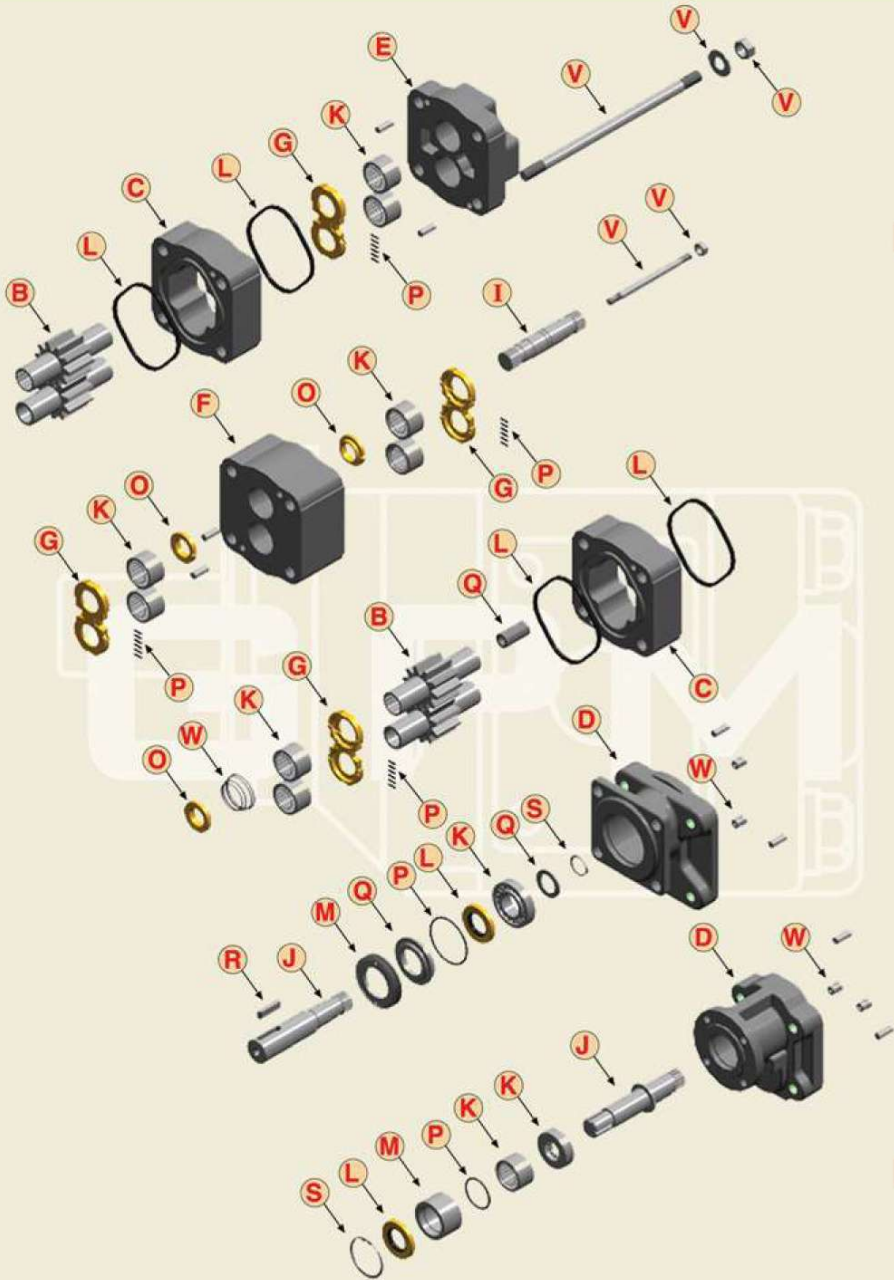


CODE	GPM unique no.	Description	Factory No.	Part No.	Reference*
<b>BEARING CARRIERS</b>					
<b>F</b>	FVD-120 bc	120 Bearing Carrier	0420-035-501	120-3100-00	308 7300 100
<b>THRUST PLATES</b>					
<b>G</b>	GAA-131 tp	131 Thrust Plate	0430-040-500	131-8120-00	391 2185 013
<b>CONNECTING SHAFT</b>					
<b>I</b>	IZA-131 cs	131 Connecting Shaft	0430-038-500	131-7000-00	312 1133 001
<b>CONTINENTAL SHAFTS</b>					
<b>J</b>	JAH-131 14spl cds	131 1 1/4" 14 Spl Shaft	0430-054-500	131-6100-45	312 1135 133
	JAI-131 9spl cds	131 5/8" 9 Spl Shaft	0430-061-500	131-6100-20	312 1000 200
	JAJ-131 13spl cds	131 7/8" 13 Spl Shaft	0430-051-500	131-6100-32	312 1135 138
	JAJ-131 13spl sh cds	131 7/8" 13 Spl Shaft Short	0430-052-500	131-6200-32	SPECIAL
	JAK-131 7/8" key cds	131 7/8" Key Shaft	0430-059-500	131-6100-12	312 1500 300
	JAM-131 6spl cds	131 6 Spl Shaft	0430-068-500	131-6400-03	312 1000 003
	JAU-131 15spl cds	131 1" 15 Spl Shaft	0430-063-500	131-6100-53	SPECIAL
	JAV-131 3/4" key cds	131 3/4" Key Shaft	0430-057-500	131-6100-11	312 1135 152
	JAW-131 1 1/4" key cds	131 1 1/4" Key Shaft	0430-067-500	131-6100-15	SPECIAL
	JAX-131 7/8" thrd cds	131 7/8" Key Threaded Shaft	0430-058-500	131-6400-12	312 1135 171
	JED-131 1" key cds	131 1" Key Shaft	0430-060-500	131-6100-13	312 1500 400
JMT-131 1 1/8" key cds	131 1 1/8" Key Shaft	0430-056-500	131-6100-14	SPECIAL	
<b>BEARINGS</b>					
<b>K</b>	KX-131-40 shaft brg	131/230 Shaft Bearing	0430-105-200	131-8020-00	391 0381 040
	KY-131 roller brg	131 Roller Bearing	0430-104-200	131-8010-00	391 0381 068
<b>SEALS</b>					
<b>L</b>	LUB-120-239 bs	120 Body Seal	0420-108-200	120-8720-00	391 2884 019
	LX-131-11 motor seal	131 Shaft Seal Motor C	0430-121-200	131-8713-00	391 2883 126
	LX-131-16 pump seal	131 Shaft Seal Pump I	0430-102-200	131-8711-00	391 2883 058
	LX-131-18 pump seal	131 Shaft Seal Pump C	0475-110-200	131-8712-00	391 2883 107
	LX-131-9 motor seal	131 Shaft Seal Motor I	0430-101-200	131-8714-00	391 2883 119
	LX-131V-16 viton seal	131 Viton seal	0430-098-200	131-8711-10	
	LX-131V-18 viton seal	131 Viton seal	0430-099-200	131-8712-10	
<b>RETAINERS</b>					
<b>M</b>	MPA-120 s/retainer tt	120 Seal Retainer Telltale	0420-178-500		WET SPLINE
<b>RING SEALS</b>					
<b>O</b>	OLB-131-1 ring seal	131 Ring Seal	0430-036-200	131-8910-00	391 2585 006
<b>O-RINGS</b>					
<b>P</b>	PBA-131-2 ps	131/151 Pocket Seal for 2 plates	0430-107-200	XXX-8743-90	391 2882 051
	PPA-120 tt O-ring	120 O-Ring Telltale	0420-178-200		WET SPLINE
<b>SPACERS</b>					
<b>Q</b>	QAE-131 s/spacer	131 Seal Spacer	0430-041-500	131-8410-00	391 3381 040
	QTB-131 shaft spacer	131 Shaft Spacer	0430-066-500	131-8420-00	312 0100 002
	QVB-131-2 brg spacer	131 Bearing Spacer	0430-042-500	131-8430-02	391 3383 069
<b>KEYS</b>					
<b>R</b>	RX-113 key	290 Key	0451-010-200	XXX-8920-04	391 1781 020
	RX-13 key	290 Key 1/4" x 3/8" x 1 1/4"	0425-130-200	XXX-8920-01	391 1781 021
	RX-16 key	290 Key 1/4" x 1/4" x 1 1/4"	0425-132-200	XXX-8920-05	391 1781 082
	RX-17 key	290 Key 1/4" x 3/8" x 1"	0430-122-200	XXX-8920-02	391 1781 025
	RX-18 key	290 Key 1/4" x 1/4" x 1"	0430-123-200	XXX-8920-05	391 1781 085
	RX-19 key	290 Key 5/16" x 5/16" x 1 1/2"	0425-133-200	XXX-8920-06	391 1781 083
	RX-20 key	290 Key 19 x 1.25 .28	0415-140-200	XXX-8920-04	391 1781 027
	RX-38 key	290 Key 5/16" x 15/32" x 1 1/2"	0425-129-200	XXX-8920-03	391 1781 045
	RX-54 key	290 Key 5/16" x 5/16" x 1 1/4"	0430-124-200	XXX-8920-07	391 1781 007



CODE	GPM unique no.	Description	Factory No.	Part No.	Reference*
<b>SNAP RINGS</b>					
<b>S</b>	SX-131-100 snap ring	131/230 Snap Ring Shaft	0425-109-200	XXX-8320-00	391 2685 011
	SX-131-206 snap ring	131/230 Snap Ring SEC	0425-110-200	XXX-8310-00	391 2686 063
<b>BOLTS, STUDS, NUTS AND WASHERS</b>					
<b>V</b>	VBOLT 9/16" X 4.00"	120 Bolt 9/16" UNC	0420-145-200	120-8216-B0	391 1401 379
	VBOLT 9/16" X 4.25"	120 Bolt 9/16" UNC	0420-146-200	120-8216-B1	391 1401 395
	VBOLT 9/16" X 4.50"	120 Bolt 9/16" UNC	0420-147-200	120-8216-B2	391 1401 385
	VBOLT 9/16" X 5.00"	120 Bolt 9/16" UNC	0420-149-200	120-8216-C0	391 1401 381
	VBOLT 9/16" X 5.50"	120 Bolt 9/16" UNC	0420-150-200	120-8216-C2	391 1401 382
	VNUT 9/16"	120 Vnut 9/16"	0420-176-200	120-8236-00	391 1451 115
	VSTUD 9/16" X 06"-11"	120 Stud 9/16" unc 06"-11"	0483-060-110	120-8226-01	SPECIAL
	VSTUD 9/16" X 11"-16"	120 Stud 9/16" unc 11"-16"	0483-110-160	120-8226-02	SPECIAL
	VSTUD 9/16" X 16"-21"	120 Stud 9/16" unc 16"-21"	0483-160-210	120-8226-03	SPECIAL
	VSTUD 9/16" X 21"-26"	120 Stud 9/16" unc 21"-26"	0483-210-260	120-8226-04	SPECIAL
	VWASHER 9/16"	120 9/16" washer	0420-177-500	120-8244-00	391 3782 146
<b>GENERAL</b>					
<b>W</b>	WM-1391-K check valve	290 Check Valve SEC	0431-001-200	XXX-8820-00	391 3681 001
	WT-131-1391 plug	290 Plug SEC	0431-002-200	XXX-8810-00	391 2286 004
	WX-131-11 plug	290 Plug 1/4" npt	0475-111-200	XXX-8810-00	391 2281 010





# SERIES 125



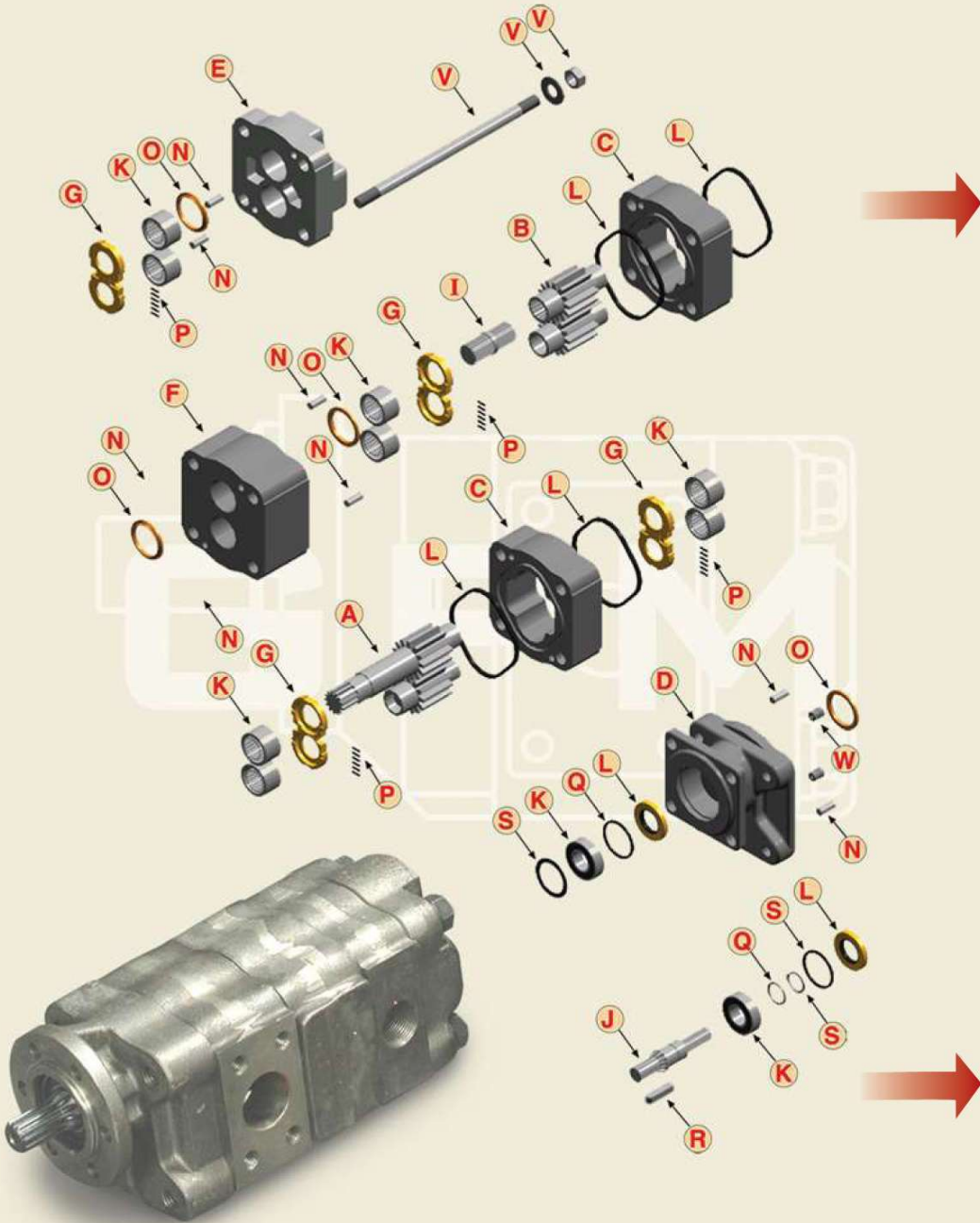
CODE	GPM unique no.	Description	Factory No.	Part No.	Reference*
<b>CONTINENTAL GEAR SETS</b>					
<b>B</b>	BKA-125-05 gs	125 Gear Set -05	0325-011-100	125-5305-00	303 2805 000
	BKA-125-07 gs	125 Gear Set -07	0325-012-100	125-5307-00	303 2807 000
	BKA-125-10 gs	125 Gear Set -10	0325-013-100	125-5310-00	303 2810 000
	BKA-125-12 gs	125 Gear Set -12	0325-014-100	125-5312-00	303 2812 000
	BKA-125-15 gs	125 Gear Set -15	0325-015-100	125-5315-00	303 2815 000
	BKA-125-17 gs	125 Gear Set -17	0325-016-100	125-5317-00	303 2817 000
	BKA-125-20 gs	125 Gear Set -20	0325-017-100	125-5320-00	303 2820 000
	BKA-125-22 gs	125 Gear Set -22	0325-018-100	125-5322-00	303 2822 000
	BKA-125-25 gs	125 Gear Set -25	0325-019-100	125-5325-00	303 2825 000
	BKA-125-27 gs	125 Gear Set -27	0325-020-100	125-5327-00	303 2827 000
BKA-125-30 gs	125 Gear Set -30	0325-021-100	125-5330-00	303 2830 000	
<b>GEAR HOUSINGS</b>					
<b>C</b>	CMA-151-05 hsg	151 Housing -05	0425-005-501	151-2105-00	313 8205 100
	CMA-151-07 hsg	151 Housing -07	0425-007-501	151-2107-00	313 8207 100
	CMA-151-10 hsg	151 Housing -10	0425-010-501	151-2110-00	313 8210 100
	CMA-151-12 hsg	151 Housing -12	0425-012-501	151-2112-00	313 8212 100
	CMA-151-15 hsg	151 Housing -15	0425-015-501	151-2115-00	313 8215 100
	CMA-151-17 hsg	151 Housing -17	0425-017-501	151-2117-00	313 8217 100
	CMA-151-20 hsg	151 Housing -20	0425-020-501	151-2120-00	313 8220 100
	CMA-151-22 hsg	151 Housing -22	0425-022-501	151-2122-00	313 8222 100
CMA-151-25 hsg	151 Housing -25	0425-025-501	151-2125 00	313 8225 100	
<b>SEC - SHAFT END COVERS</b>					
<b>D</b>	DCB-125 6b sec	125 SEC 6 Bolt Round	0425-078-500	125-1411-10	303 5043 202
	DCB-125-3 4b sec	125 SEC 4 Bolt Round	0425-051-500	125-1311-10	303 5043 204
	DSA-125 pad sec	125 SEC Pad Mount	0425-054-500	125-1101-10	303 5011 202
	DTA-125 4b4* sec	125 SEC 4 Bolt 4" B	0425-035-500	125-1331-10	303 5031 201
	DTA-125 4b4* Long SEC	125 SEC 4 Bolt 4" SAE B	0425-039-500	125-1331-10	313 5036 203
	DUA-125 2b4* sec	125 SEC 2 Bolt 4" B	0425-079-500	125-1231-10	303 5021 203
	DXA-125 4b5* sec	125 SEC 4 Bolt 5" C	0425-034-500	125-1341-10	303 5031 202
	DYA-125 2b5* sec	125 SEC 2 Bolt 5" C	0425-080-500	125-1241-10	303 5021 204
<b>PEC - PORT END COVERS</b>					
<b>E</b>	EZA-151 pec	151 PEC	0450-033-501	151-4100-00	313 3120 100
	EZA-151-4 port pec	151 PEC 4 PORT Ported	0450-034-501	151-4200-00	313 3420 100
<b>BEARING CARRIERS</b>					
<b>F</b>	FKB-125 bc	125 Bearing Carrier	0425-031-501	125-3100-00	303 7300 100
<b>THRUST PLATES</b>					
<b>G</b>	GY-151 tp	151 Thrust Plate	0450-035-500	151-8120-00	391 2185 012
<b>CONNECTING SHAFT</b>					
<b>I</b>	ITA-125 cs	125 Connecting Shaft	0425-036-500	125-7000-00	303 1133 001
<b>CONTINENTAL SHAFTS</b>					
<b>J</b>	JDB-125 cds	125 1 1/4" Long Key Shaft	0425-055-500	125-6100-12	303 1135 030
	JHB-125 7/8" key cds	125 7/8" Key Shaft	0425-053-500	125-6100-12	303 1135 012
	JHC-125 6spl cds	125 1" 6 Spl Shaft	0425-052-500	125-6100-02	303 1135 013
	JPB-125 14spl cds	125 1 1/4" 14 Spl Shaft	0425-050-500	125-6100-45	303 1135 021
	JRB-125 1 1/4" cds	125 1 1/4" Key Shaft	0425-049-500	125-6100-15	303 1135 023
	JVB-125 13spl cds	125 7/8" 13 Spl Shaft	0425-077-500	125-6100-32	303 1135 028
	JWB-125 7/8" key cds	125 7/8" Key Shaft	0425-048-500	125-6100-12	303 1135 030
	JTS-125 Taper CDS	Taper Shaft	0425-081-500	125-6100-12	303 1135 066
<b>BEARINGS</b>					
<b>K</b>	KS-151 roller brg	151/125 Roller Bearing	0425-118-200	151-8010-00	391 0381 059
	KX-125-162 thrust brg	125 Bearing Assembly	0425-108-200	125-8030-00	391 0383 001
	KX-125-8 taper brg	125 Taper Roller Bearing	0425-107-200	125-8010-00	391 0384 008
<b>SEALS</b>					
<b>L</b>	LK-125-19 backup	125 Backup Ring	0425-113-200	125-8745-00	391 2881 248
	LUB-151-244 bs	125/151 Body Seal	0425-117-200	151-8720-00	391 2884 021
	LX-125-13 pump seal	125 Shaft Seal Pump C	0425-101-200	125-8711-00	391 2883 055
	LX-125-15 pump seal	125 Shaft Seal Pump C	0425-103-200	125-8712-00	391 2883 057
	LX-125-3 motor seal	125 Shaft Seal Motor C	0425-102-200	125-8714-00	391 2883 096
	LX-125V-13 viton seal	125 Viton seal	0425-098-200	125-8711-10	391 2883 096
	LX-125V-15 viton seal	125 Viton seal	0425-099-200	125-8712-10	391 2883 096



CODE	GPM unique no.	Description	Factory No.	Part No.	Reference*
<b>RETAINERS</b>					
<b>M</b>	MAV-125 s/retainer	125 Seal Retainer Motor	0425-071-500	125-8510-00	391 2584 024
	MGA-125 s/retainer	125 Seal Retainer Pump	0425-070-500	125-8500-00	391 3281 004
	MLA-125 retainer	125 Retainer Nut Motor	0425-072-500	125-8210-00	391 2581 001
	MW-125 retainer	125 Retainer Nut Pump	0425-037-500	125-8200-00	391 2581 009
<b>RING SEALS</b>					
<b>O</b>	OAH-125 shaft bush	125 Drive Shaft Bush	0425-046-200	125-8030-00	391 0481 002
	OAR-125 shaft bush	125 Conn Shaft Bush	0425-047-200	125-8040-00	391 0481 003
<b>O-RINGS</b>					
<b>P</b>	PL-125-109 o/ring	125 Shaft	0425-105-200	125-8745-01	391 2881 203
	PR-125-8 o/ring	125 Shaft Motor	0425-106-200	125-8745-03	391 2881 261
	PL-125-26 o/ring	125 Retainer	0425-104-200	125-8745-02	391 2881 120
	PBA-131-2 ps	125 Pocket Seal	0430-107-200	150-8743-90	391 2882 051
<b>SPACERS</b>					
<b>Q</b>	QDB-125 s/spacer	125 Shaft Spacer	0425-057-500	125-8420-00	391 2585 001
	QGB-125 brg spacer	125 Bearing Spacer	0425-075-500	125-8430-00	391 3381 007
	QSA-125 s/spacer	125 Seal Spacer	0425-038-500	125-8410-00	391 2584 016
	QTA-125-1 spacer	125 Internal Spacer	0425-060-500	125-8431-00	391 3383 002
	QTA-125-2 spacer	125 Internal Spacer	0425-061-500	125-8432-00	391 3383 003
	QTA-125-3 spacer	125 Internal Spacer	0425-062-500	125-8433-00	391 3383 004
	QTA-125-4 spacer	125 Internal Spacer	0425-063-500	125-8434-00	391 3383 005
	QTA-125-5 spacer	125 Internal Spacer	0425-064-500	125-8435-00	391 3383 006
	QTA-125-6 spacer	125 Internal Spacer	0425-065-500	125-8436-00	391 3383 007
	QTA-125-7 spacer	125 Internal Spacer	0425-066-500	125-8437-00	391 3383 008
	QTA-125-8 spacer	125 Internal Spacer	0425-067-500	125-8438-00	391 3383 009
	QTA-125-9 spacer	125 Internal Spacer	0425-068-500	125-8439-00	391 3383 010
	QYA-125-1 shaft spacer	125 Shaft Spacer	0425-056-500	125-8420-00	391 3383 015
<b>KEYS</b>					
<b>R</b>	RX-113 key	290 Key	0451-010-200	XXX-8920-04	391 1781 200
	RX-13 key	290 Key 1/4" x 3/8" x 1 1/4"	0425-130-200	XXX-8920-01	391 1781 021
	RX-17 key	290 Key 1/4" x 3/8" x 1 1/4"	0430-122-200	XXX-8920-02	391 1781 025
	RX-20 key	290 Key .19 x 1.25 .28	0415-140-200	XXX-8920-04	391 1781 027
	RX-38 key	290 Key 5/16" x 15/32" x 1 1/2"	0425-129-200	XXX-8920-03	391 1781 045
	RX-54 key	290 Key 5/16" x 5/16" x 1 1/4"	0430-124-200	XXX-8920-07	391 1781 007
<b>SNAP RINGS</b>					
<b>S</b>	SX-125-13 snap ring	125 Snap Ring Shaft Type 2	0425-111-200	125-8320-00	391 2688 012
<b>BOLTS, STUDS, NUTS &amp; WASHERS</b>					
<b>V</b>	VBOLT 5/8" X 3.75"	290 Bolt 5/8" UNC	0425-151-200	XXX-8212-A3	391 1401
	VBOLT 5/8" X 4.00"	290 Bolt 5/8" UNC	0425-152-200	XXX-8212-B0	391 1401 463
	VBOLT 5/8" X 4.25"	290 Bolt 5/8" UNC	0425-160-200	XXX-8212-B1	391 1401 346
	VBOLT 5/8" X 4.25"	290 Bolt 5/8" UNC	0425-153-200	XXX-8212-B2	391 1401 294
	VBOLT 5/8" X 4.75"	290 Bolt 5/8" UNC	0425-161-200	XXX-8212-B3	391 1401 341
	VBOLT 5/8" X 5.00"	290 Bolt 5/8" UNC	0425-154-200	XXX-8212-B0	391 1401 295
	VBOLT 5/8" X 5.25"	290 Bolt 5/8" UNC	0425-159-200	XXX-8212-C1	391 1401
	VBOLT 5/8" X 5.50"	290 Bolt 5/8" UNC	0425-155-200	XXX-8212-B2	391 1401 362
	VBOLT 5/8" X 5.75"	290 Bolt 5/8" UNC	0425-162-200	XXX-8212-C3	391 1401 334
	VBOLT 5/8" X 6.00"	290 Bolt 5/8" UNC	0425-156-200	XXX-8212-D0	391 1401 405
	VBOLT 5/8" X 6.25"	290 Bolt 5/8" UNC	0425-166-200	XXX-8212-D1	391 1401
	VBOLT 5/8" X 6.50"	290 Bolt 5/8" UNC	0425-157-200	XXX-8212-D2	391 1401 363
	VBOLT 5/8" X 6.75"	290 Bolt 5/8" UNC	0425-163-200	XXX-8212-D3	391 1401 528
	VBOLT 5/8" X 7.00"	290 Bolt 5/8" UNC	0425-158-200	XXX-8212-E0	391 1401 409
	VBOLT 5/8" X 8.00"	290 Bolt 5/8" UNC	0425-164-200	XXX-8212-F0	391 1401 473
	VBOLT 5/8" X 9.00"	290 Bolt 5/8" UNC	0425-165-200	XXX-8212-J0	391 1401 374
	VNUT 5/8"	290-5/8" Nut	0455-176-200	XXX-8230-00	391 1451 076
	VR0D 5/8"	290 Tie Rod 5/8" unc	0425-140-200	XXX-8222-00	SPECIAL
	VSTUD 5/8" X 06"-11"	290 Stud 5/8" unc 06"-11"	0484-060-110	XXX-8222-01	SPECIAL
	VSTUD 5/8" X 11"-16"	290 Stud 5/8" unc 11"-16"	0484-110-160	XXX-8222-02	SPECIAL
	VSTUD 5/8" X 16"-21"	290 Stud 5/8" unc 16"-21"	0484-160-210	XXX-8222-03	SPECIAL
	VSTUD 5/8" X 21"-26"	290 Stud 5/8" unc 21"-26"	0484-210-260	XXX-8222-04	SPECIAL
	VWASHER 5/8"	290-131/151/230/250 5/8" washer	0450-177-500	XXX-8242-00	391 3784 028
VSTUD 9/16" X 06"-11"	290 Stud 9/16" unc 06"-11"	0483-060-110		SPECIAL	
VSTUD 9/16" X 11"-16"	290 Stud 9/16" unc 11"-16"	0483-110-160		SPECIAL	
VSTUD 9/16" X 16"-21"	290 Stud 9/16" unc 16"-21"	0483-160-210		SPECIAL	
VSTUD 9/16" X 21"-26"	290 Stud 9/16" unc 21"-26"	0483-210-260		SPECIAL	
<b>GENERAL</b>					
<b>W</b>	WA-125-182 spring	125 Spring	0425-114-200	125-8900-00	391 3581 176
	WEB-125 thrust washer	125 Thrust Washer	0425-112-200	125-8244-00	391 3785 005
	WM-1391-K check valve	290 Check Valve SEC	0431-001-200	XXX-8820-00	391 3681 001
	WT-131-1391 plug	290 Plug SEC	0431-002-200	XXX-8810-00	391 2286 004
	WX-125-20 roll pin	125 Roll Pin	0425-119-200	125-8610-00	391 2084 020
	WX-131-11 plug	290 Plug 1/4" npt	0475-111-200	XXX-8810-00	391 2281 010



# SERIES 13 I



CODE	GPM unique no.	Description	Factory No.	Part No.	Reference*
<b>INTEGRAL GEAR SETS</b>					
<b>A</b>	AAU-131-07 gs	131 1" 15 Spl Gear Set -07	0330-072-100		312 2907 240
	AAU-131-10 gs	131 1" 15 Spl Gear Set -10	0330-073-100		312 2910 240
	AAU-131-12 gs	131 1" 15 Spl Gear Set -12	0330-074-100		312 2912 240
	AAU-131-15 gs	131 1" 15 Spl Gear Set -15	0330-075-100		312 2915 240
	AAU-131-17 gs	131 1" 15 Spl Gear Set -17	0330-076-100		312 2917 240
	AAU-131-20 gs	131 1" 15 Spl Gear Set -20	0330-077-100		312 2920 240
	AAU-131-22 gs	131 1" 15 Spl Gear Set -22	0330-078-100		312 2922 240
	ABD-131-05 gs	131 7/8" 13 Spl Gear Set -05	0330-021-100		312 2905 230
	ABD-131-07 gs	131 7/8" 13 Spl Gear Set -07	0330-022-100	131-5107-32	312 2907 230
	ABD-131-10 gs	131 7/8" 13 Spl Gear Set -10	0330-023-100	131-5110-32	312 2910 230
	ABD-131-12 gs	131 7/8" 13 Spl Gear Set -12	0330-024-100	131-5112-32	312 2912 230
	ABD-131-15 gs	131 7/8" 13 Spl Gear Set -15	0330-025-100	131-5115-32	312 2915 230
	ABD-131-17 gs	131 7/8" 13 Spl Gear Set -17	0330-026-100	131-5117-32	312 2917 230
	ABD-131-20 gs	131 7/8" 13 Spl Gear Set -20	0330-027-100	131-5120-32	312 2920 230
	ABD-131-22gs	131 7/8" 13 Spl Gear Set - 22	0330-028-100		312 2905 730
	ABD-131-25 gs	131 7/8" 13 Spl Gear Set -25	0330-029-100	131-5125-32	312 2925 230
	ABD-131-4-07 gs	131 7/8" 13 Spl Gear Set -07 short	0330-039-100	131-5207-32	312 2907 330
	ABD-131-4-10 gs	131 7/8" 13 Spl Gear Set -10 short	0330-040-100	131-5210-32	312 2910 330
	ABD-131-4-12 gs	131 7/8" 13 Spl Gear Set -12 short	0330-041-100	131-5212-32	312 2912 330
	ABD-131-4-15 gs	131 7/8" 13 Spl Gear Set -15 short	0330-042-100	131-5215-32	312 2915 330
	ABD-131-4-17 gs	131 7/8" 13 Spl Gear Set -17 short	0330-043-100	131-5217-32	312 2917 330
	ABD-131-4-20 gs	131 7/8" 13 Spl Gear Set -20 short	0330-044-100	131-5220-32	312 2920 330
	ADD-131-05 gs	131 7/8" keyed SAE B Gear Set -05	0330-031-100		312 2905 730
	ADD-131-10 gs thrd	131 7/8" keyed SAE B Gear Set -10	0330-033-101		
	ADD-131-20 gs	131 7/8" keyed SAE B Gear Set -20	0330-037-100		312 2920 730
	ADD-131-22 gs	131 7/8" keyed SAE B Gear Set -22	0330-038-100		312 2922 730
	ADD-131-25 gs	131 7/8" keyed SAE B Gear Set -25	0330-030-100		312 2925 730
	ADD-131-07 gs	131 7/8" Key Gear Set -07	0330-032-100	131-5107-12	312 2907 630
	ADD-131-10 gs	131 7/8" Key Gear Set -10	0330-033-100	131-5110-12	312 2910 630
	ADD-131-12 gs	131 7/8" Key Gear Set -12	0330-034-100	131-5112-12	312 2912 630
	ADD-131-15 gs	131 7/8" Key Gear Set -15	0330-035-100	131-5115-12	312 2915 630
	ADD-131-17 gs	131 7/8" Key Gear Set -17	0330-036-100	131-5117-12	312 2917 630
	ADD-131-20 gs	131 7/8" Key Gear Set -20	0330-037-100	131-5120-12	312 2920 630
	AED-131-05 gs	131 1" Key Gear Set -05	0330-048-100	131-5105-13	312 2905 740
	AED-131-07 gs	131 1" Key Gear Set -07	0330-049-100	131-5107-13	312 2907 740
	AED-131-10 gs	131 1" Key Gear Set -10	0330-050-100	131-5110-13	312 2910 740
AED-131-12 gs	131 1" Key Gear Set -12	0330-051-100	131-5112-13	312 2912 740	
AED-131-15 gs	131 1" Key Gear Set -15	0330-052-100	131-5115-13	312 2915 740	
AED-131-17 gs	131 1" Key Gear Set -17	0330-053-100	131-5117-13	312 2917 740	
AED-131-20 gs	131 1" Key Gear Set -20	0330-054-100	131-5120-13	312 2920 740	
AED-131-25 gs	131 1" Key Gear Set -25	0330-055-100	131-5125-13	312 2925 740	
ATH-131-17 taper gs	131 15/16 keyed 7/8unf thread	0330-090-100	131-5117-77	312 2917 603	
<b>CONTINENTAL GEAR SETS</b>					
<b>B</b>	BV-131-05 gs	131 Gear Set -05	0330-011-100	131-5305-00	312 2805 000
	BV-131-07 gs	131 Gear Set -07	0330-012-100	131-5307-00	312 2807 000
	BV-131-10 gs	131 Gear Set -10	0330-013-100	131-5310-00	312 2810 000
	BV-131-12 gs	131 Gear Set -12	0330-014-100	131-5312-00	312 2812 000
	BV-131-15 gs	131 Gear Set -15	0330-015-100	131-5315-00	312 2815 000
	BV-131-17 gs	131 Gear Set -17	0330-016-100	131-5317-00	312 2817 000
	BV-131-20 gs	131 Gear Set -20	0330-017-100	131-5320-00	312 2820 000
	BV-131-22 gs	131 Gear Set -22	0330-018-100	131-5322-00	312 2822 000
	BV-131-25 gs	131 Gear Set -25	0330-019-100	131-5325-00	312 2825 000
	<b>GEAR HOUSINGS</b>				
<b>C</b>	CRA-131-05 hsg	131 Housing -05	0430-005-501	131-2105-00	312 8205 100
	CRA-131-07 hsg	131 Housing -07	0430-007-501	131-2107-00	312 8207 100
	CRA-131-10 hsg	131 Housing -10	0430-010-501	131-2110-00	312 8210 100
	CRA-131-12 hsg	131 Housing -12	0430-012-501	131-2112-00	312 8212 100
	CRA-131-15 hsg	131 Housing -15	0430-015-501	131-2115-00	312 8215 100
	CRA-131-17 hsg	131 Housing -17	0430-017-501	131-2117-00	312 8217 100
	CRA-131-20 hsg	131 Housing -20	0430-020-501	131-2120-00	312 8220 100
	CRA-131-22 hsg	131 Housing -22	0430-022-501	131-2122-00	312 8222 100
	CRA-131-25 hsg	131 Housing -25	0430-025-501	131-2125-00	312 8225 100
<b>SEC - SHAFT END COVERS</b>					
<b>D</b>	DEB-131 4b4" sec	131 SEC 4 Bolt 4" B	0430-033-501	131-1331-10	312 5037 201
	DFB-131 6b sec	131 SEC 6 Bolt Round	0430-047-501	131-1411-10	312 5047 201
	DGB-131 2b4" sec	131 SEC 2 Bolt 4" B	0430-048-501	131-1231-10	312 5027 201
	DPB-131 4b5" sec	131 SEC 4 Bolt 5" C	0430-034-501	131-1341-10	312 5037 202
	DWB-131 2b3 1/4" sec	131 SEC 2 Bolt 3" A	0430-049-501	131-1221-10	312 5027 204
	DGB-131-SH 2b4" sh sec	131 SEC 2 Bolt 4" B short	0430-046-501		312 5029 201

# SERIES 131



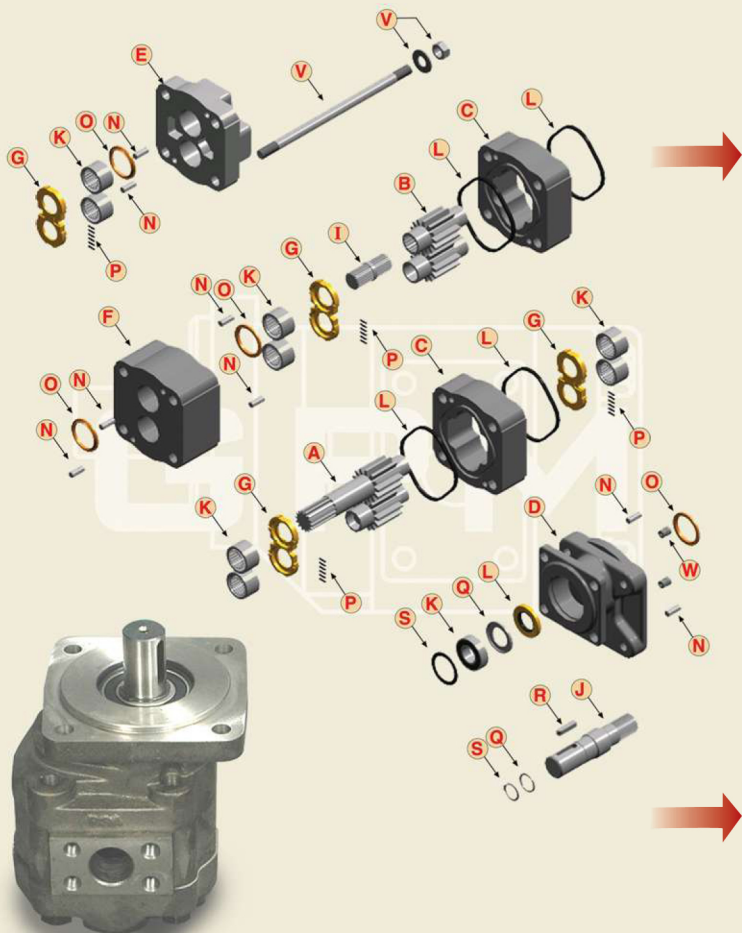
CODE	GPM unique no.	Description	Factory No.	Part No.	Reference*
<b>PEC - PORT END COVERS</b>					
<b>E</b>	EDC-131-24 pec	131 PEC PB 131/131	0430-072-500	131-4600-00	312 5029 213
	EXA-131 pec	131 PEC	0430-030-501	131-4100-00	312 3120 100
	EXA-131-4 port pec	131 PEC 4 PORT Ported	0430-035-501	131-4200-00	312 3420 100
	EXA-131-S	SPECIAL	0430-037-501		SPECIAL
<b>BEARING CARRIERS</b>					
<b>F</b>	FVA-131 bc	131 Bearing Carrier	0430-031-501	131-3100-00	312 7740 100
	FVA-131-11 bc	131 Bearing with 1/4" npt drain	0430-029-500	131-3100-10	
<b>THRUST PLATES</b>					
<b>G</b>	GAA-131 tp	131 Thrust Plate	0430-040-500	131-8120-00	391 2185 013
<b>CONNECTING SHAFT</b>					
<b>I</b>	IAF-131/131 cs	131 Connecting shaft PB 131/131	0430-055-500	131-7100-00	312 1133 002
	IZA-131 cs	131 Connecting Shaft	0430-038-500	131-7000-00	312 1133 001
<b>CONTINENTAL SHAFTS</b>					
<b>J</b>	JAH-131 14spl cds	131 1 1/4" 14 Spl Shaft	0430-054-500	131-6100-45	312 1135 133
	JAI-131 9spl cds	131 5/8" 9 Spl Shaft	0430-061-500	131-6100-20	312 1000 200
	JAJ-131 13spl cds	131 7/8" 13 Spl Shaft	0430-051-500	131-6100-32	312 1135 138
	JAJ-131 13spl sh cds	131 7/8" 13 Spl Shaft Short	0430-052-500	131-6200-32	SPECIAL
	JAK-131 7/8" key cds	131 7/8" Key Shaft	0430-059-500	131-6100-12	312 1500 300
	JAM-131 6spl cds	131 6 Spl Shaft	0430-068-500	131-6400-03	312 1000 003
	JAU-131 15spl cds	131 1" 15 Spl Shaft	0430-063-500	131-6100-53	SPECIAL
	JAV-131 3/4" key cds	131 3/4" Key Shaft	0430-057-500	131-6100-11	312 1135 152
	JAW-131 1 1/4" key cds	131 1 1/4" Key Shaft	0430-067-500	131-6100-15	SPECIAL
	JAX-131 7/8" thrd cds	131 7/8" Key Threaded Shaft	0430-058-500	131-6400-12	312 1135 171
	JCA-131 910 cds	131 Cat 910 Shaft	0430-069-500		
	JDI-131 cds	131 8 Spl DIN Shaft	0430-064-500		SPECIAL
	JDV-131 11 spl cds	131 3/4" 11 SPL Shaft	0430-075-500		
	JED-131 1" key cds	131 1" Key Shaft	0430-060-500	131-6100-13	312 1500 400
JMT-131 1 1/8" key cds	131 1 1/8" Key Shaft	0430-056-500	131-6100-14	SPECIAL	
JSB-131 cds	131 7/8" 13 SPL Long Shaft	0430-065-500		SPECIAL	
<b>BEARINGS</b>					
<b>K</b>	KX-131-40 shaft brg	131/230 Shaft Bearing	0430-105-200	131-8020-00	391 0381 040
	KY-131 roller brg	131 Roller Bearing	0430-104-200	131-8010-00	391 0381 068
<b>SEALS</b>					
<b>L</b>	LUB-131-242 bs	131/230 Body Seal	0430-108-200	131-8720-00	391 2884 050
	LX-131-11 motor seal	131 Shaft Seal Motor C	0430-121-200	131-8713-00	391 2883 126
	LX-131-16 pump seal	131 Shaft Seal Pump I	0430-102-200	131-8711-00	391 2883 058
	LX-131-18 pump seal	131 Shaft Seal Pump C	0475-110-200	131-8712-00	391 2883 107
	LX-131-9 motor seal	131 Shaft Seal Motor I	0430-101-200	131-8714-00	391 2883 119
	LX-131V-16 viton seal	131 Viton seal	0430-098-200	131-8711-10	
LX-131V-18 viton seal	131 Viton seal	0430-099-200	131-8712-10		
<b>DOWEL PINS</b>					
<b>N</b>	NDOWEL-131	290 Dowel 131/151/230/250	0425-120-500	XXX-8600-00	391 2082 032
<b>RING SEALS</b>					
<b>O</b>	OLB-131-1 ring seal	131 Ring Seal	0430-036-200	131-8910-00	391 2585 006
<b>O - RINGS</b>					
<b>P</b>	PBA-131-2 ps	131/151 Pocket Seal for 2 plates	0430-107-200	XXX-8743-90	391 2882 051
	PL-PB131/131-30 o/ring	131 O-ring PB 131/131	0430-109-200	131-8745-05	391 2881 124
<b>SPACERS</b>					
<b>Q</b>	QAE-131 s/spacer	131 Seal Spacer	0430-041-500	131-8410-00	391 3381 040
	QAK-PB131/131 spacer	131 Spacer PB 131/131	0430-074-500	131-8440-00	391 2584 083
	QTB-131 shaft spacer	131 Shaft Spacer	0430-066-500	131-8420-00	312 0100 002
	QVB-131-2 brg spacer	131 Bearing Spacer	0430-042-500	131-8430-02	391 3383 069



CODE	GPM unique no.	Description	Factory No.	Part No.	Reference*	
<b>KEYS</b>						
<b>R</b>	RX-113 key	290 Key	0451-010-200	XXX-8920-04	391 1781 020	
	RX-13 key	290 Key 1/4" x 3/8" x 1 1/4"	0425-130-200	XXX-8920-01	391 1781 021	
	RX-16 key	290 Key 1/4" x 1/4" x 1 1/4"	0425-132-200	XXX-8920-05	391 1781 082	
	RX-17 key	290 Key 1/4" x 3/8" x 1"	0430-122-200	XXX-8920-02	391 1781 025	
	RX-18 key	290 Key 1/4" x 1/4" x 1"	0430-123-200	XXX-8920-05	391 1781 085	
	RX-19 key	290 Key 5/16" x 5/16" x 1 1/2"	0425-133-200	XXX-8920-06	391 1781 083	
	RX-20 key	290 Key .19 x 1.25 .28	0415-140-200	XXX-8920-04	391 1781 027	
	RX-38 key	290 Key 5/16" x 15/32" x 1 1/2"	0425-129-200	XXX-8920-03	391 1781 045	
	RX-54 key	290 Key 5/16" x 5/16" x 1 1/4"	0430-124-200	XXX-8920-07	391 1781 007	
<b>SNAP RINGS</b>						
<b>S</b>	SX-131-100 snap ring	131/230 Snap Ring Shaft	0425-109-200	XXX-8320-00	391 2685 011	
	SX-131-206 snap ring	131/230 Snap Ring SEC	0425-110-200	XXX-8310-00	391 2686 063	
<b>BOLYS, STUDS, NUTS AND WASHERS</b>						
<b>V</b>	VBOLT 5/8" X 3.75"	290 Bolt 5/8" UNC	0425-151-200	XXX-8212-A3	391 1401	
	VBOLT 5/8" X 4.00"	290 Bolt 5/8" UNC	0425-152-200	XXX-8212-B0	391 1401 463	
	VBOLT 5/8" X 4.25"	290 Bolt 5/8" UNC	0425-160-200	XXX-8212-B1	391 1401 346	
	VBOLT 5/8" X 4.25"	290 Bolt 5/8" UNC	0425-153-200	XXX-8212-B2	391 1401 294	
	VBOLT 5/8" X 4.75"	290 Bolt 5/8" UNC	0425-161-200	XXX-8212-B3	391 1401 341	
	VBOLT 5/8" X 5.00"	290 Bolt 5/8" UNC	0425-154-200	XXX-8212-B0	391 1401 295	
	VBOLT 5/8" X 5.25"	290 Bolt 5/8" UNC	0425-159-200	XXX-8212-C1	391 1401	
	VBOLT 5/8" X 5.50"	290 Bolt 5/8" UNC	0425-155-200	XXX-8212-B2	391 1401 362	
	VBOLT 5/8" X 5.75"	290 Bolt 5/8" UNC	0425-162-200	XXX-8212-C3	391 1401 334	
	VBOLT 5/8" X 6.00"	290 Bolt 5/8" UNC	0425-156-200	XXX-8212-D0	391 1401 405	
	VBOLT 5/8" X 6.25"	290 Bolt 5/8" UNC	0425-166-200	XXX-8212-D1	391 1401	
	VBOLT 5/8" X 6.50"	290 Bolt 5/8" UNC	0425-157-200	XXX-8212-D2	391 1401 363	
	VBOLT 5/8" X 6.75"	290 Bolt 5/8" UNC	0425-163-200	XXX-8212-D3	391 1401 528	
	VBOLT 5/8" X 7.00"	290 Bolt 5/8" UNC	0425-158-200	XXX-8212-E0	391 1401 409	
	VBOLT 5/8" X 8.00"	290 Bolt 5/8" UNC	0425-164-200	XXX-8212-F0	391 1401 473	
	VBOLT 5/8" X 9.00"	290 Bolt 5/8" UNC	0425-165-200	XXX-8212-J0	391 1401 374	
	VNUT 5/8"	290 5/8" Nut	0455-176-200	XXX-8230-00	391 1451 076	
	VR0D 5/8"	290 Tie Rod 5/8" unc	0425-140-200	XXX-8222-00	SPECIAL	
	VSTUD 5/8" X 06"-11"	290 Stud 5/8" unc 06"-11"	0484-060-110	XXX-8222-01	SPECIAL	
	VSTUD 5/8" X 11"-16"	290 Stud 5/8" unc 11"-16"	0484-110-160	XXX-8222-02	SPECIAL	
	VSTUD 5/8" X 16"-21"	290 Stud 5/8" unc 16"-21"	0484-160-210	XXX-8222-03	SPECIAL	
	VSTUD 5/8" X 21"-26"	290 Stud 5/8" unc 21"-26"	0484-210-260	XXX-8222-04	SPECIAL	
	VWASHER 5/8"	290 131/151/230/250 5/8" washer	0450-177-500	XXX-8242-00	391 3784 028	
	<b>GENERAL</b>					
	<b>W</b>	WM-1391-K check valve	290 Check Valve SEC	0431-001-200	XXX-8920-00	391 3681 001
		WT-131-1391 plug	290 Plug SEC	0431-002-200	XXX-8810-00	391 2286 004
WX-131-11 plug		290 Plug 1/4" npt	0475-111-200	XXX-8810-00	391 2281 010 7	









# SERIES 151

CODE	GPM unique no.	Description	Factory No.	Part No.	Reference*
<b>INTEGRAL GEAR SETS</b>					
<b>A</b>	AAT-151-12 gs	151 1" 15 Spl Gear Set -12	0350-032-100		313 2912 240
	AAT-151-15 gs	151 1" 15 Spl Gear Set -15	0350-033-100		313 2915 240
	AAT-151-17 gs	151 1" 15 Spl Gear Set -17	0350-034-100		313 2917 240
	AAT-151-20 gs	151 1" 15 Spl Gear Set -20	0350-035-100		313 2920 240
	AAT-151-22 gs	151 1" 15 Spl Gear Set -22	0350-036-100		313 2922 240
	AAT-151-25 gs	151 1" 15 Spl Gear Set -25	0350-037-100		313 2925 240
	APD-151-10 gs	151 1 1/4" 14 Spl Gear Set -10	0350-020-100	151-5110-45	313 2910 250
	APD-151-12 gs	151 1 1/4" 14 Spl Gear Set -12	0350-021-100	151-5112-45	313 2912 250
	APD-151-15 gs	151 1 1/4" 14 Spl Gear Set -15	0350-022-100	151-5115-45	313 2915 250
	APD-151-17 gs	151 1 1/4" 14 Spl Gear Set -17	0350-023-100	151-5117-45	313 2917 250
	APD-151-20 gs	151 1 1/4" 14 Spl Gear Set -20	0350-024-100	151-5120-45	313 2920 250
	APD-151-22 gs	151 1 1/4" 14 Spl Gear Set -22	0350-025-100	151-5122-45	313 2922 250
	APD-151-25 gs	151 1 1/4" 14 Spl Gear Set -25	0350-026-100	151-5125-45	313 2925 250
	APD-151-4-10 gs	151 1 1/4" 14 Spl Gear Set -10 short	0350-080-100	151-5210-45	313 2910 350
	APD-151-4-12 gs	151 1 1/4" 14 Spl Gear Set -12 short	0350-081-100	151-5212-45	313 2912 350
	APD-151-4-15 gs	151 1 1/4" 14 Spl Gear Set -15 short	0350-082-100	151-5212-45	313 2915 350
	APD-151-4-17 gs	151 1 1/4" 14 Spl Gear Set -17 short	0350-083-100	151-5217-45	313 2917 350
	APD-151-4-20 gs	151 1 1/4" 14 Spl Gear Set -20 short	0350-084-100	151-5220-45	313 2920 350
	APD-151-4-22 gs	151 1 1/4" 14 Spl Gear Set -22 short	0350-085-100	151-5222-45	313 2922 350
	APD-151-4-25 gs	151 1 1/4" 14 Spl Gear Set -25 short	0350-086-100	151-5225-45	313 2925 350
	ASD-151-10 gs	151 1 1/4" Key Gear Set -10	0350-052-100	151-5110-15	313 2910 750
	ASD-151-12 gs	151 1 1/4" Key Gear Set -12	0350-053-100	151-5112-15	313 2912 750
	ASD-151-15 gs	151 1 1/4" Key Gear Set -15	0350-054-100	151-5115-15	313 2915 750
	ASD-151-17 gs	151 1 1/4" Key Gear Set -17	0350-055-100	151-5117-15	313 2917 750
	ASD-151-20 gs	151 1 1/4" Key Gear Set -20	0350-056-100	151-5120-15	313 2920 750
	ASD-151-22 gs	151 1 1/4" Key Gear Set -22	0350-057-100	151-5122-15	313 2922 750
	ASD-151-25 gs	151 1 1/4" Key Gear Set -25	0350-058-100	151-5125-15	313 2925 750
	ATD-151-07 gs	151 1" Key Gear Set -07	0350-059-100		313 2907 740
	ATD-151-10 gs	151 1" Key Gear Set -10	0350-060-100	151-5110-13	313 2910 740
	ATD-151-12 gs	151 1" Key Gear Set -12	0350-061-100	151-5112-13	313 2912 740
	ATD-151-15 gs	151 1" Key Gear Set -15	0350-062-100	151-5115-13	313 2915 740
	ATD-151-17 gs	151 1" Key Gear Set -17	0350-063-100	151-5117-13	313 2917 740
	ATD-151-20 gs	151 1" Key Gear Set -20	0350-064-100	151-5120-13	313 2920 740
	ATD-151-22 gs	151 1" Key Gear Set -22	0350-065-100	151-5122-13	313 2922 740
	ATD-151-25 gs	151 1" Key Gear Set -25	0350-066-100	151-5125-13	313 2925 740
	AVD-151-10 gs	151 7/8" 13 Spl Gear Set -10	0350-070-100	151-5110-32	313 2910 230
	AVD-151-12 gs	151 7/8" 13 Spl Gear Set -12	0350-071-100	151-5112-32	313 2912 230
	AVD-151-1-25 gs	151 7/8" 13 Spl Gear Set -25 single	0455-066-100	151-5125-32	313 2925 130
	AVD-151-15 gs	151 7/8" 13 Spl Gear Set -15	0350-072-100	151-5115-32	313 2915 230
	AVD-151-17 gs	151 7/8" 13 Spl Gear Set -17	0350-073-100	151-5117-32	313 2917 230
	AVD-151-20 gs	151 7/8" 13 Spl Gear Set -20	0350-074-100	151-5120-32	313 2920 230
	AVD-151-22 gs	151 7/8" 13 Spl Gear Set -22	0350-075-100	151-5122-32	313 2922 230
	AVD-151-25 gs	151 7/8" 13 Spl Gear Set -25	0350-076-100	151-5125-32	313 2925 230
	AVD-151-4-12 gs	151 7/8" 13 Spl Gear Set -12 short	0350-043-100		313 2912 330
	AVD-151-4-15 gs	151 7/8" 13 Spl Gear Set -15 short	0350-044-100		
AVD-151-4-17 gs	151 7/8" 13 Spl Gear Set -17 short	0350-045-100	151-5217-32	313 2917 330	
AVD-151-4-20 gs	151 7/8" 13 Spl Gear Set -20 short	0350-046-100	151-5220-32	313 2920 330	
AVD-151-4-22 gs	151 7/8" 13 Spl Gear Set -22 short	0350-047-100	151-5222-32	313 2922 330	
AVD-151-4-25 gs	151 7/8" 13 Spl Gear Set -25 short	0350-048-100	151-5225-32	313 2925 3301	
<b>CONTINENTAL GEAR SETS</b>					
<b>B</b>	BMA-151-05 gs	151 Gear Set -05	0350-011-100	151-5305-00	313 2805 000
	BMA-151-07 gs	151 Gear Set -07	0350-012-100	151-5307-00	313 2807 000
	BMA-151-10 gs	151 Gear Set -10	0350-013-100	151-5310-00	313 2810 000
	BMA-151-12 gs	151 Gear Set -12	0350-014-100	151-5312-00	313 2812 000
	BMA-151-15 gs	151 Gear Set -15	0350-015-100	151-5315-00	313 2815 000
	BMA-151-17 gs	151 Gear Set -17	0350-016-100	151-5317-00	313 2817 000
	BMA-151-20 gs	151 Gear Set -20	0350-017-100	151-5320-00	313 2820 000
	BMA-151-22 gs	151 Gear Set -22	0350-018-100	151-5322-00	313 2822 000
	BMA-151-25 gs	151 Gear Set -25	0350-019-100	151-5325-00	313 2825 000
	<b>GEAR HOUSINGS</b>				
<b>C</b>	CMA-151-05 hsg	151 Housing -05	0425-005-501	151-2105-00	313 8205 100
	CMA-151-07 hsg	151 Housing -07	0425-007-501	151-2107-00	313 8207 100
	CMA-151-10 hsg	151 Housing -10	0425-010-501	151-2110-00	313 8210 100
	CMA-151-12 hsg	151 Housing -12	0425-012-501	151-2112-00	313 8212 100
	CMA-151-15 hsg	151 Housing -15	0425-015-501	151-2115-00	313 8215 100
	CMA-151-17 hsg	151 Housing -17	0425-017-501	151-2117-00	313 8217 100
	CMA-151-20 hsg	151 Housing -20	0425-020-501	151-2120-00	313 8220 100
	CMA-151-22 hsg	151 Housing -22	0425-022-501	151-2122-00	313 8222 100
CMA-151-25 hsg	151 Housing -25	0425-025-501	151-2125 00	313 8225 100	

# SERIES 151

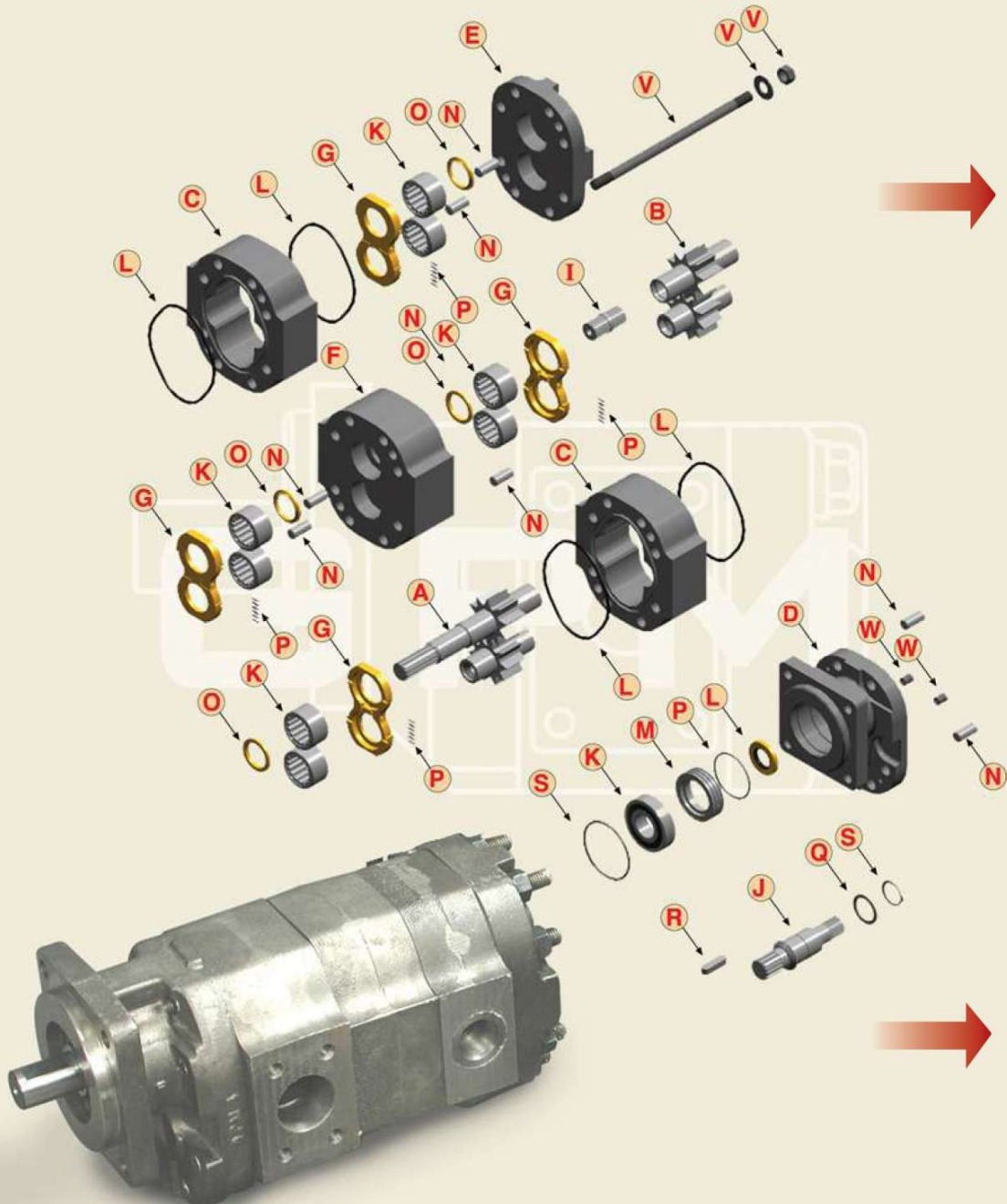


CODE	GPM unique no.	Description	Factory No.	Part No.	Reference*
<b>GEAR HOUSINGS</b>					
<b>C</b>	CG-151-17-BI hsg	151 Housing -17 bi	0451-017-501		315 8217 101
	CG-151-20-BI hsg	151 Housing -20 bi	0451-020-501		315 8220 101
	CG-151-22-BI hsg	151 Housing -22 bi	0451-022-501		315 8222 101
	CG-151-25-BI hsg	151 Housing -25 bi	0451-025-501		315 8225 101
<b>SEC - SHAFT END COVERS</b>					
<b>D</b>	DDB-151 4" combo sec	114 SEC 2/4 Bolt 4" combo	0451-040-501		313 5057 204
	DDB-151 4" combo sh sec	114 SEC 2/4 Bolt 4" combo short	0451-041-501		313 5057 207
	DHB-151 4b4" sec	151 SEC 4 Bolt 4" B	0450-053-501	151-1331-10	313 5037 201
	DKB-151 4b5" sec	151 SEC 4 Bolt 5" C	0450-052-501	151-1341-10	313 5037 202
	DMB-151 pad mount sec	151 SEC pad mount	0450-056-501		313 5017 201
	DNB-151 2b5" sec	151 SEC 2 Bolt 5" C	0450-055-501	151-1241-10	313 5027 202
	DRB-151 2b4" sec	151 SEC 2 Bolt 4" B	0450-054-501	151-1231-10	313 5027 201
<b>PEC - PORT END COVERS</b>					
<b>E</b>	EG-114 pec	114 PEC Blank	0451-034-501	114-4620-00	315 3220 100
	EG-151-BI pec	151 PEC Blank	0451-034-501		315 3220 101
	EZA-151 pec	151 PEC	0450-033-501	151-4100-00	313 3120 100
	EZA-151-4 port pec	151 PEC 4 PORT Ported	0450-034-501	151-4200-00	313 3420 100
<b>BEARING CARRIERS</b>					
<b>F</b>	FTA-151 bc	151 Bearing Carrier	0450-031-501	151-3100-00	313 7740 100
	FTA-151-11 bc	151 BC with 1/4" npt drain	0450-030-500	151-3100-10	
<b>THRUST PLATES</b>					
<b>G</b>	GY-151 tp	151 Thrust Plate	0450-035-500	151-8120-00	391 2185 012
<b>CONNECTING SHAFTS</b>					
<b>I</b>	IYA-151 cs	151 Connecting Shaft	0450-001-500	151-7000-00	313 1133 001
	IPB-151/151 cs		0450-004-500		313 1133 000
<b>CONTINENTAL SHAFTS</b>					
<b>J</b>	JAB-151 7/8" key cds	151 7/8" Shaft	0450-066-500		313 1500 002
	JAD-151 13spl cds	151 7/8" 13 Spl Shaft	0450-062-500	151-6100-32	313 1000 300
	JAЕ-151 1"key cds	151 1" Key Shaft	0450-061-500	151-6100-13	313 1500 400
	JAF-151 1 1/4"key cds	151 1 1/4" Key Shaft	0450-049-500	151-6100-15	313 1500 500
	JAG-151 14spl cds	151 1 1/4" 14 Spl Shaft	0450-050-500	151-6100-45	313 1135 194
	JAG-151-L 14spl long cds	151 1 1/4" 14 Spl Long Shaft	0450-051-500		SPECIAL
	JAN-151 6spl cds	151 6 Spl Shaft	0450-068-500	151-6400-03	991 1355 068
	JAT-151 15spl cds	151 1" 15 Spl Shaft	0450-063-500	151-6100-53	313 1354 374
	JGT-151 1 1/8"key cds	151 1 1/8" Key Shaft	0450-064-500	151-6100-14	SPECIAL
	JSX-151 1 1/4" 6 spl cds	151 1 1/4" 6 Spline Shaft	0450-069-500		SPECIAL
	<b>BEARINGS</b>				
<b>K</b>	KS-151 roller brg	151/125 Roller Bearing	0425-118-200	151-8010-00	391 0381 059
	KX-151-58 shaft brg	151/250 Shaft Bearing	0450-102-200	151-8020-00	391 0381 077
<b>SEALS</b>					
<b>L</b>	LUB-151-244 bs	125/151 Body Seal	0425-117-200	151-8720-00	391 2884 021
	LX-151-17 pump seal	151 Shaft Seal Pump	0430-103-200	151-8711-00	391 2883 103
	LX-151-8 motor seal	151 Shaft Seal Motor I	0450-101-200	151-8713-00	391 2883 115
	LX-151V-17 viton seal	151 Viton seal	0450-099-200	151-8711-10	
<b>DOWEL PINS</b>					
<b>N</b>	NDOWEL-131	290 Dowel 131/151/230/250	0425-120-500	XXX-8600-00	391 2082 032
<b>RING SEALS</b>					
<b>O</b>	ONB-151-1 ring seal	151 Ring Seal	0450-038-200	151-8910-00	391 2585 009
<b>O-RINGS</b>					
<b>P</b>	PBA-131-2 ps	131/151 Pocket Seal for 2 plates	0430-107-200	XXX-8743-90	391 2882 051
<b>SPACERS</b>					
<b>Q</b>	QAC-151 s/spacer	151 Seal Spacer	0450-040-500	151-8410-00	391 3383 087
	QVB/AC-151 spacer	151 Bearing Spacer	0450-039-200	151-8440-00	391 3383 087
	QVB-151-1 brg spacer	151 Bearing Spacer	0450-039-500	151-8430-01	391 3383 087



CODE	GPM unique no.	Description	Factory No.	Part No.	Reference*	
<b>KEYS</b>						
<b>R</b>	RX-113 key	290 Key	0451-010-200	XXX-8920-04	391 1781 020	
	RX-13 key	290 Key 1/4" x 3/8" x 1 1/4"	0425-130-200	XXX-8920-01	391 1781 021	
	RX-16 key	290 Key 1/4" x 1/4" x 1 1/4"	0425-132-200	XXX-8920-05	391 1781 082	
	RX-17 key	290 Key 1/4" x 3/8" x 1"	0430-122-200	XXX-8920-02	391 1781 025	
	RX-18 key	290 Key 1/4" x 1/4" x 1"	0430-123-200	XXX-8920-05	391 1781 085	
	RX-19 key	290 Key 5/16" x 5/16" x 1 1/2"	0425-133-200	XXX-8920-06	391 1781 083	
	RX-20 key	290 Key .19 x 1.25 .28	0415-140-200	XXX-8920-04	391 1781 027	
	RX-38 key	290 Key 5/16" x 15/32" x 1 1/2"	0425-129-200	XXX-8920-03	391 1781 045	
	RX-54 key	290 Key 5/16" x 5/16" x 1 1/4"	0430-124-200	XXX-8920-07	391 1781 007	
<b>SNAP RINGS</b>						
<b>S</b>	SX-151-125 snap ring	151 Snap Ring Shaft	0450-104-200	151-8320-00	391 2685 040	
	SX-151-283 snap ring	151 Snap Ring SEC	0450-103-200	151-8310-00	391 2686 065	
<b>BOLTS, STUDS, NUTS AND WASHERS</b>						
<b>V</b>	VBOLT 5/8" X 3.75"	290 Bolt 5/8" UNC	0425-151-200	XXX-8212-A3	391 1401	
	VBOLT 5/8" X 4.00"	290 Bolt 5/8" UNC	0425-152-200	XXX-8212-B0	391 1401 463	
	VBOLT 5/8" X 4.25"	290 Bolt 5/8" UNC	0425-160-200	XXX-8212-B1	391 1401 346	
	VBOLT 5/8" X 4.25"	290 Bolt 5/8" UNC	0425-153-200	XXX-8212-B2	391 1401 294	
	VBOLT 5/8" X 4.75"	290 Bolt 5/8" UNC	0425-161-200	XXX-8212-B3	391 1401 341	
	VBOLT 5/8" X 5.00"	290 Bolt 5/8" UNC	0425-154-200	XXX-8212-B0	391 1401 295	
	VBOLT 5/8" X 5.25"	290 Bolt 5/8" UNC	0425-159-200	XXX-8212-C1	391 1401	
	VBOLT 5/8" X 5.50"	290 Bolt 5/8" UNC	0425-155-200	XXX-8212-B2	391 1401 362	
	VBOLT 5/8" X 5.75"	290 Bolt 5/8" UNC	0425-162-200	XXX-8212-C3	391 1401 334	
	VBOLT 5/8" X 6.00"	290 Bolt 5/8" UNC	0425-156-200	XXX-8212-D0	391 1401 405	
	VBOLT 5/8" X 6.25"	290 Bolt 5/8" UNC	0425-166-200	XXX-8212-D1	391 1401	
	VBOLT 5/8" X 6.50"	290 Bolt 5/8" UNC	0425-157-200	XXX-8212-D2	391 1401 323	
	VBOLT 5/8" X 6.75"	290 Bolt 5/8" UNC	0425-163-200	XXX-8212-D3	391 1401 568	
	VBOLT 5/8" X 7.00"	290 Bolt 5/8" UNC	0425-158-200	XXX-8212-E0	391 1401 409	
	VBOLT 5/8" X 8.00"	290 Bolt 5/8" UNC	0425-164-200	XXX-8212-F0	391 1401 473	
	VBOLT 5/8" X 9.00"	290 Bolt 5/8" UNC	0425-165-200	XXX-8212-J0	391 1401 374	
	VNUT 5/8"	290 5/8" Nut	0455-176-200	XXX-8230-00	391 1451 076	
	VROD 5/8"	290 Tie Rod 5/8" UNC	0425-140-200	XXX-8222-00	SPECIAL	
	VSTUD 5/8" X 06"-11"	290 Stud 5/8" unc 06"-11"	0484-060-110	XXX-8222-01	SPECIAL	
	VSTUD 5/8" X 11"-16"	290 Stud 5/8" unc 11"-16"	0484-110-160	XXX-8222-02	SPECIAL	
	VSTUD 5/8" X 16"-21"	290 Stud 5/8" unc 16"-21"	0484-160-210	XXX-8222-03	SPECIAL	
	VSTUD 5/8" X 21"-26"	290 Stud 5/8" unc 21"-26"	0484-210-260	XXX-8222-04	SPECIAL	
	VWASHER 5/8"	290-131/151/230/250 5/8" washer	0450-177-500	XXX-8242-00	391 3784 028	
	<b>GENERAL</b>					
	<b>W</b>	WM-1391-K check valve	290 Check Valve SEC	0431-001-200	XXX-8820-00	391 3681 001
		WT-131-1391 plug	290 Plug SEC	0431-002-200	XXX-8810-00	391 2286 004
WX-131-11 plug		290 Plug 1/4" npt	0475-111-200	XXX-8810-00	391 2281 010	





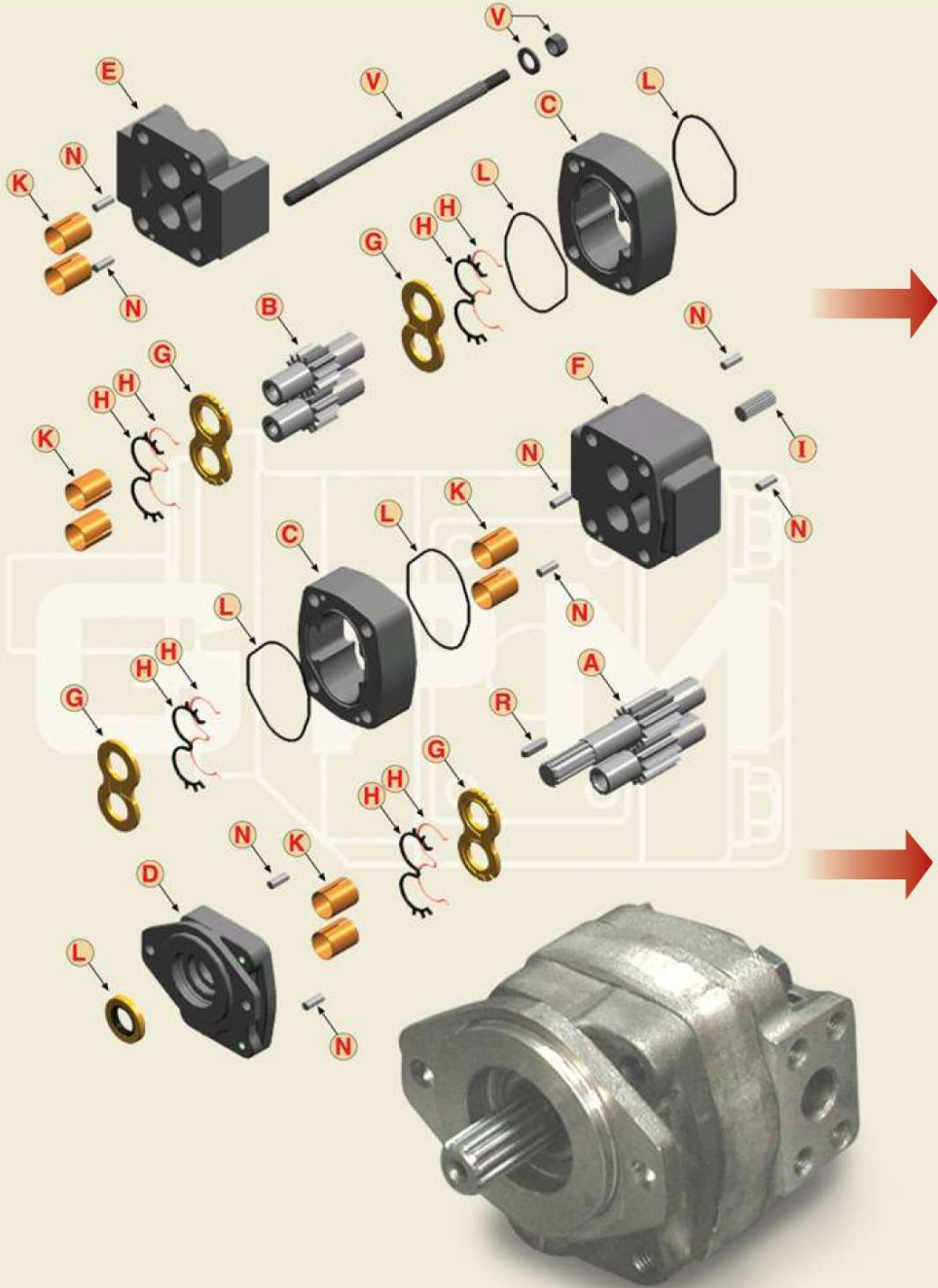
CODE	GPM unique no.	Description	Factory No.	Part No.	Reference*
<b>INTEGRAL GEAR SETS</b>					
<b>A</b>	AAL-176-10 gs	176 1 1/4" Key Gear Set -10	0475-090-100	176-5110-15	316 2910 750
	AAL-176-12 gs	176 1 1/4" Key Gear Set -12	0475-091-100	176-5112-15	316 2912 750
	AAL-176-15 gs	176 1 1/4" Key Gear Set -15	0475-092-100	176-5115-15	316 2915 750
	AAL-176-17 gs	176 1 1/4" Key Gear Set -17	0475-093-100	176-5117-15	316 2917 750
	AAL-176-20 gs	176 1 1/4" Key Gear Set -20	0475-094-100	176-5120-15	316 2920 750
	AAL-176-22 gs	176 1 1/4" Key Gear Set -22	0475-095-100	176-5122-15	316 2922 750
	AAL-176-25 gs	176 1 1/4" Key Gear Set -25	0475-096-100	176-5125-15	316 2925 750
	AAL-176-27 gs	176 1 1/4" Key Gear Set -27	0475-097-100	176-5127-15	316 2927 750
	AAL-176-30 gs	176 1 1/4" Key Gear Set -30	0475-098-100	176-5130-15	316 2930 750
	ANE-176-07 gs	176 1 1/4" 14 Spl Gear Set -07	0475-059-100	176	316 2907 250
	ANE-176-10 gs	176 1 1/4" 14 Spl Gear Set -10	0475-060-100	176-5110-45	316 2910 250
	ANE-176-12 gs	176 1 1/4" 14 Spl Gear Set -12	0475-061-100	176-5112-45	316 2912 250
	ANE-176-15 gs	176 1 1/4" 14 Spl Gear Set -15	0475-062-100	176-5115-45	316 2915 250
	ANE-176-17 gs	176 1 1/4" 14 Spl Gear Set -17	0475-063-100	176-5117-45	316 2917 250
	ANE-176-20 gs	176 1 1/4" 14 Spl Gear Set -20	0475-064-100	176-5120-45	316 2920 250
	ANE-176-22 gs	176 1 1/4" 14 Spl Gear Set -22	0475-065-100	176-5122-45	316 2922 250
	ANE-176-25 gs	176 1 1/4" 14 Spl Gear Set -25	0475-066-100	176-5125-45	316 2925 250
	ANE-176-27 gs	176 1 1/4" 14 Spl Gear Set -27	0475-067-100	176-5127-45	316 2927 250
	ANE-176-30 gs	176 1 1/4" 14 Spl Gear Set -30	0475-068-100	176-5130-45	316 2930 250
	<b>CONTINENTAL GEAR SETS</b>				
<b>B</b>	BPA-176-07 gs	176 Gear Set -07	0475-039-100	176-5307-00	316 2807 000
	BPA-176-10 gs	176 Gear Set -10	0475-040-100	176-5310-00	316 2810 000
	BPA-176-12 gs	176 Gear Set -12	0475-041-100	176-5312-00	316 2812 000
	BPA-176-15 gs	176 Gear Set -15	0475-042-100	176-5315-00	316 2815 000
	BPA-176-17 gs	176 Gear Set -17	0475-043-100	176-5317-00	316 2817 000
	BPA-176-20 gs	176 Gear Set -20	0475-044-100	176-5320-00	316 2820 000
	BPA-176-22 gs	176 Gear Set -22	0475-045-100	176-5322-00	316 2822 000
	BPA-176-25 gs	176 Gear Set -25	0475-046-100	176-5325-00	316 2825 000
	BPA-176-27 gs	176 Gear Set -27	0475-047-100	176-5327-00	316 2827 000
	BPA-176-30 gs	176 Gear Set -30	0475-048-100	176-5330-00	316 2830 000
<b>GEAR HOUSINGS</b>					
<b>C</b>	CSA-176-07 hsg	176 Housing -07	0475-009-501	176-2107-00	316 8207 100
	CSA-176-10 hsg	176 Housing -10	0475-010-501	176-2110-00	316 8210 100
	CSA-176-12 hsg	176 Housing -12	0475-012-501	176-2112-00	316 8212 100
	CSA-176-15 hsg	176 Housing -15	0475-015-501	176-2115-00	316 8215 100
	CSA-176-17 hsg	176 Housing -17	0475-017-501	176-2117-00	316 8217 100
	CSA-176-20 hsg	176 Housing -20	0475-020-501	176-2120-00	316 8220 100
	CSA-176-22 hsg	176 Housing -22	0475-022-501	176-2122-00	316 8222 100
	CSA-176-25 hsg	176 Housing -25	0475-025-501	176-2125-00	316 8225 100
	CSA-176-27 hsg	176 Housing -27	0475-027-501	176-2127-00	316 8227 100
	CSA-176-30 hsg	176 Housing -30	0475-030-501	176-2130-00	316 8230 100
<b>SEC - SHAFT END COVERS</b>					
<b>D</b>	DSB-176 4b4" sec	176 SEC 4 Bolt 4" B	0475-032-501	176-1331-10	316 5037 201
	DTB-176 4b5" sec	176 SEC 4 Bolt 5" C	0475-070-501	176-1341-10	316 5037 202
	DUB-176 4b6" sec	176 SEC 4 Bolt 6" D	0475-033-501	176-1351-10	316 5037 203
	DVB-176 2b5" sec	176 SEC 2 Bolt 5" C	0475-069-501	176-1241-10	316 5027 202
<b>PEC - PORT END COVERS</b>					
<b>E</b>	EPB-176-131 pec	176 PEC PB 176/131	0475-037-501	176-4730-00	316 5027 213
	EYA-176 pec	176 PEC	0475-031-501	176-4100-00	316 3120 100
<b>BEARING CARRIERS</b>					
<b>F</b>	FZA-176 bc	176 Bearing Carrier	0475-034-501	176-3100-00	316 7740 100
	FZA-176-11 bc	176 BC with 1/4" npt drain	0475-036-500	176-3100-10	
<b>THRUST PLATES</b>					
<b>G</b>	GBA-176 dv bi tp	176 Thrust Plate	0475-074-500	176-8110-00	391 2185 040
	GBA-176 dv uni tp	176 Thrust Plate	0475-075-500	176-8150-00	391 2185 072
	GBA-176 tp	176 Thrust Plate	0475-076-500	176-8120-00	391 2185 020



CODE	GPM unique no.	Description	Factory No.	Part No.	Reference*
<b>CONNECTING SHAFT</b>					
<b>I</b>	IAB-176 cs	176 Connecting Shaft	0475-071-500	176-7000-00	316 1133 001
	IAH-176/131 cs	176 Connecting Shaft PB176/131	0475-087-500	176-7520-00	316 1133 003
<b>CONTINENTAL SHAFTS</b>					
<b>J</b>	JAL-176 1 1/4"key cds	176 1 1/4" Key Shaft	0475-080-500	176-6100-15	316 1135 147
	JAL-176-L 1 1/4" k cds	176 1 1/4" Long double brg shaft	0475-085-500		SPECIAL
	JAS-176 14spl cds	176 1 1/4" 14 Spl Shaft	0475-081-500	176-6100-45	316 1135 148
	JAS-176-L 14spl cds	176 1 1/4" 14 Spl Long Shaft	0475-083-500		SPECIAL
	JAS-176-SHD 13spl cds	176 1 3/4" 13 Spl Shaft	0475-082-500	176-6400-36	316 1000 701
	JUC-176 45mm key cds	176 45mm Key Shaft	0475-086-500	176-6400-17	SPECIAL
	JKB-176 cds	SPECIAL	0475-089-500		SPECIAL
	JWK-176 cds	176 Woodruff Key Shaft	0475-088-500		316 1500 507
<b>BEARINGS</b>					
<b>K</b>	KR-176 roller brg	176 Roller Bearing	0475-108-200	176-8010-00	391 0381 060
	KX-176-59 shaft brg	176/265 Shaft Bearing	0475-104-200	176-8020-00	391 0381 078
<b>SEALS</b>					
<b>L</b>	LUB-176-252 bs	176 Body Seal	0475-107-200	176-8720-00	391 2884 024
	LX-176-1 motor seal	176/265 Shaft Seal Motor I	0475-102-200	176-8713-00	391 2883 094
	LX-176-10 pump seal	176/265 Shaft Seal Pump I	0475-101-200	176-8711-00	391 2883 052
	LX-176V-10 viton seal	176 Viton seal	0475-099-200	176-8711-10	
<b>RETAINERS</b>					
<b>M</b>	MRA-176 s/retainer	176 Seal Retainer	0475-072-500	176-8500-00	391 2584 082
<b>DOWEL PINS</b>					
<b>N</b>	NDOWEL-176	176 Dowel	0475-112-500	176-8600-00	391 2082 033
<b>RING SEALS</b>					
<b>O</b>	OWB-176-1 ring seal	176 Ring Seal	0475-035-200	176-8910-00	391 2585 011
<b>O-RINGS</b>					
<b>P</b>	PBA-176 DV plate seal	176 Thrust Plate Seal	0475-073-200	176-8734-00	391 2885 040
	PBA-176-3 ps	176 Pocket Seal for 2 plates	0475-106-200	176-8743-80	391 2882 084
	PL-176-164 o/ring	176 O-ring Retainer	0475-103-200	176-8745-02	391 2881 457
	PL-PB176/131-159 o/ring	176 O-ring PB 176/131	0475-109-200	176-8745-05	391 2881 253
<b>SPACERS</b>					
<b>Q</b>	QAF-176 s/spacer	176 Shaft Spacer	0475-084-500	176-8420-00	391 3381 039
	QAL-PB176/131 spacer	176 Spacer PB 176/131	0475-109-500	176-8440-00	391 2585 013
	QVB-176 brg spacer	176 Bearing Spacer	0475-077-500	176-8430-00	391 3383 018
<b>KEYS</b>					
<b>R</b>	RX-113 key	290 Key	0451-010-200	XXX-8920-04	391 1781 020
	RX-13 key	290 Key 1/4" x 3/8" x 1 1/4"	0425-130-200	XXX-8920-01	391 1781 021
	RX-16 key	290 Key 1/4" x 1/4" x 1 1/4"	0425-132-200	XXX-8920-05	391 1781 082
	RX-17 key	290 Key 1/4" x 3/8" x 1 "	0430-122-200	XXX-8920-02	391 1781 025
	RX-18 key	290 Key 1/4" x 1/4" x 1 "	0430-123-200	XXX-8920-05	391 1781 085
	RX-19 key	290 Key 5/16" x 5/16" x 1 1/2"	0425-133-200	XXX-8920-06	391 1781 083
	RX-20 key	290 Key .19 x 1.25 .28	0415-140-200	XXX-8920-04	391 1781 027
	RX-38 key	290 Key 5/16" x 15/32" x 1 1/2"	0425-129-200	XXX-8920-03	391 1781 045
	RX-54 key	290 Key 5/16" x 5/16" x 1 1/4"	0430-124-200	XXX-8920-07	391 1781 007
	<b>SNAP RINGS</b>				
<b>S</b>	SX-176-137 snap ring	176 Snap Ring Shaft	0475-115-200	176-8320-00	391 2685 029
	SX-176-315 snap ring	176 Snap Ring SEC	0475-105-200	176-8310-00	391 2686 025

CODE	GPM unique no.	Description	Factory No.	Part No.	Reference*
<b>BOLTS, STUDS, NUTS AND WASHERS</b>					
<b>V</b>	VBOLT 5/8" X 3.75"	290 Bolt 5/8" UNC	0425-151-200	XXX-8212-A3	391 1401
	VBOLT 5/8" X 4.00"	290 Bolt 5/8" UNC	0425-152-200	XXX-8212-B0	391 1401 463
	VBOLT 5/8" X 4.25"	290 Bolt 5/8" UNC	0425-160-200	XXX-8212-B1	391 1401 346
	VBOLT 5/8" X 4.25"	290 Bolt 5/8" UNC	0425-153-200	XXX-8212-B2	391 1401 294
	VBOLT 5/8" X 4.75"	290 Bolt 5/8" UNC	0425-161-200	XXX-8212-B3	391 1401 341
	VBOLT 5/8" X 5.00"	290 Bolt 5/8" UNC	0425-154-200	XXX-8212-B0	391 1401 295
	VBOLT 5/8" X 5.25"	290 Bolt 5/8" UNC	0425-159-200	XXX-8212-C1	391 1401
	VBOLT 5/8" X 5.50"	290 Bolt 5/8" UNC	0425-155-200	XXX-8212-B2	391 1401 362
	VBOLT 5/8" X 5.75"	290 Bolt 5/8" UNC	0425-162-200	XXX-8212-C3	391 1401 334
	VBOLT 5/8" X 6.00"	290 Bolt 5/8" UNC	0425-156-200	XXX-8212-D0	391 1401 405
	VBOLT 5/8" X 6.25"	290 Bolt 5/8" UNC	0425-166-200	XXX-8212-D1	391 1401
	VBOLT 5/8" X 6.50"	290 Bolt 5/8" UNC	0425-157-200	XXX-8212-D2	391 1401 363
	VBOLT 5/8" X 6.75"	290 Bolt 5/8" UNC	0425-163-200	XXX-8212-D3	391 1401 528
	VBOLT 5/8" X 7.00"	290 Bolt 5/8" UNC	0425-158-200	XXX-8212-E0	391 1401 409
	VBOLT 5/8" X 8.00"	290 Bolt 5/8" UNC	0425-164-200	XXX-8212-F0	391 1401 473
	VBOLT 5/8" X 9.00"	290 Bolt 5/8" UNC	0425-165-200	XXX-8212-J0	391 1401 374
	VNUT 5/8"	290 5/8" Nut	0455-176-200	XXX-8230-00	391 1451 076
	VROD 5/8"	290 Tie Rod 5/8" unc	0425-140-200	XXX-8222-00	SPECIAL
	VSTUD 5/8" X 06"-11"	290 Stud 5/8" unc 06"-11"	0484-060-110	XXX-8222-01	SPECIAL
	VSTUD 5/8" X 11"-16"	290 Stud 5/8" unc 11"-16"	0484-110-160	XXX-8222-02	SPECIAL
VSTUD 5/8" X 16"-21"	290 Stud 5/8" unc 16"-21"	0484-160-210	XXX-8222-03	SPECIAL	
VSTUD 5/8" X 21"-26"	290 Stud 5/8" unc 21"-26"	0484-210-260	XXX-8222-04	SPECIAL	
VWASHER 5/8"	290-131/151/230/250 5/8" washer	0450-177-500	XXX-8242-00	391 3784 028	
<b>GENERAL</b>					
<b>W</b>	WM-1391-K check valve	290 Check Valve SEC	0431-001-200	XXX-8820-00	391 3681 001
	WT-131-1391 plug	290 Plug SEC	0431-002-200	XXX-8810-00	391 2288 004
	WX-131-11 plug	290 Plug 1/4" npt	0475-111-200	XXX-8810-00	391 2281 010







CODE	GPM unique no.	Description	Factory No.	Part No.	Reference*
<b>INTEGRAL GEAR SETS</b>					
AZK-215-03 gs		215 5/8" 9 Spl Gear Set -03	0315-141-100		326 2903 420
AZK-215-05 gs		215 5/8" 9 Spl Gear Set -05	0315-081-100	215-5205-20	326 2905 420
AZK-215-06 gs		215 5/8" 9 Spl Gear Set -06	0315-142-100		326 2906 420
AZK-215-07 gs		215 5/8" 9 Spl Gear Set -07	0315-082-100	215-5207-20	326 2907 420
AZK-215-08 gs		215 5/8" 9 Spl Gear Set -08	0315-143-100		326 2908 420
AZK-215-10 gs		215 5/8" 9 Spl Gear Set -10	0315-083-100	215-5210-20	326 2910 420
AZK-215-11 gs		215 5/8" 9 Spl Gear Set -11	0315-144-100		326 2911 420
AZK-215-12 gs		215 5/8" 9 Spl Gear Set -12	0315-084-100	215-5212-20	326 2912 420
AZK-215-13 gs		215 5/8" 9 Spl Gear Set -13	0315-145-100		326 2913 420
AZK-215-15 gs		215 5/8" 9 Spl Gear Set -15	0315-085-100	215-5215-20	326 2915 420
AZK-215-16 gs		215 5/8" 9 Spl Gear Set -16	0315-146-100		326 2916 420
AZK-215-17 gs		215 5/8" 9 Spl Gear Set -17	0315-086-100		326 2917 420
AZK-215-18 gs		215 5/8" 9 Spl Gear Set -18	0315-148-100		326 2918 420
AZK-215-20 gs		215 5/8" 9 Spl Gear Set -20	0315-087-100		326 2920 420
ABK-215-03 gs		215 7/8" 13 Spl Gear Set -03	0315-134-100		326 2903 430
ABK-215-05 gs		215 7/8" 13 Spl Gear Set -05	0315-061-100	215-5205-32	326 2905 430
ABK-215-06 gs		215 7/8" 13 Spl Gear Set -06	0315-135-100		326 2906 430
ABK-215-07 gs		215 7/8" 13 Spl Gear Set -07	0315-062-100	215-5207-32	326 2907 430
ABK-215-08 gs		215 7/8" 13 Spl Gear Set -08	0315-136-100		326 2908 430
ABK-215-10 gs		215 7/8" 13 Spl Gear Set -10	0315-063-100	215-5210-32	326 2910 430
ABK-215-11 gs		215 7/8" 13 Spl Gear Set -11	0315-137-100		326 2911 430
ABK-215-12 gs		215 7/8" 13 Spl Gear Set -12	0315-064-100	215-5212-32	326 2912 430
ABK-215-13 gs		215 7/8" 13 Spl Gear Set -13	0315-138-100		326 2913 430
ABK-215-15 gs		215 7/8" 13 Spl Gear Set -15	0315-065-100	215-5215-32	326 2915 430
ABK-215-16 gs		215 7/8" 13 Spl Gear Set -16	0315-139-100		326 2916 430
ABK-215-17 gs		215 7/8" 13 Spl Gear Set -17	0315-066-100	215-5217-32	326 2917 430
ABK-215-18 gs		215 7/8" 13 Spl Gear Set -18	0315-140-100		326 2918 430
ABK-215-20 gs		215 7/8" 13 Spl Gear Set -20	0315-067-100	250-5220-32	326 2920 430
ADK-215-03 gs		215 7/8" Key Gear Set -03	0315-091-100		326 2903-930
ADK-215-05 gs		215 7/8" Key Gear Set -05	0315-071-100	215-5205-12	326 2905 930
ADK-215-06 gs		215 7/8" Key Gear Set -06	0315-092-100		326 2906 930
ADK-215-07 gs		215 7/8" Key Gear Set -07	0315-072-100	215-5207-12	326 2907 930
ADK-215-08 gs		215 7/8" Key Gear Set -08	0315-093-100		326 2908 930
ADK-215-10 gs		215 7/8" Key Gear Set -10	0315-073-100	215-5210-12	326 2910 930
ADK-215-11 gs		215 7/8" Key Gear Set -11	0315-094-100		326 2911 930
ADK-215-12 gs		215 7/8" Key Gear Set -12	0315-074-100	215-5212-12	326 2912 930
ADK-215-13 gs		215 7/8" Key Gear Set -13	0315-095-100		326 2913 930
ADK-215-15 gs		215 7/8" Key Gear Set -15	0315-075-100	215-5215-12	326 2915 930
ADK-215-16 gs		215 7/8" Key Gear Set -16	0315-096-100		326 2916 930
ADK-215-17 gs		215 7/8" Key Gear Set -17	0315-076-100	215-5217-12	326 2917 930
ADK-215-18 gs		215 7/8" Key Gear Set -18	0315-097-100		326 2918 930
ADK-215-20 gs		215 7/8" Key Gear Set -20	0315-077-100	215-5220-12	326 2920 930
AAK-215-12 gs		215 1" 15 Spl Gear Set -12	0315-154-100		SPECIAL
AAO-215-05 gs		215 22mm Key Metric Gear Set - 05	0315-190-100		SPECIAL
AAO-215-07 gs		215 22mm Key Metric Gear Set - 07	0315-191-100		SPECIAL
AAO-215-10 gs		215 22mm Key Metric Gear Set - 10	0315-192-100		SPECIAL
AAO-215-12 gs		215 22mm Key Metric Gear Set - 12	0315-193-100		SPECIAL
AAO-215-15 gs		215 22mm Key Metric Gear Set - 15	0315-194-100		SPECIAL
AAO-215-17 gs		215 22mm Key Metric Gear Set - 17	0315-195-100		SPECIAL
AAO-215-20 gs		215 22mm Key Metric Gear Set - 20	0315-196-100		SPECIAL
AEK-215-05 gs		215 Taper 1:8 (Group3) Gear Set -05	0315-176-100	215	SPECIAL
AEK-215-06 gs		215 Taper 1:8 (Group3) Gear Set -06	0315-177-100	215	SPECIAL
AEK-215-07 gs		215 Taper 1:8 (Group3) Gear Set -07	0315-178-100	215	SPECIAL
AEK-215-08 gs		215 Taper 1:8 (Group3) Gear Set -08	0315-179-100	215	SPECIAL
AEK-215-10 gs		215 Taper 1:8 (Group3) Gear Set -10	0315-180-100	215	SPECIAL
AEK-215-11 gs		215 Taper 1:8 (Group3) Gear Set -11	0315-181-100	215	SPECIAL
AEK-215-12 gs		215 Taper 1:8 (Group3) Gear Set -12	0315-182-100	215	SPECIAL
AEK-215-13 gs		215 Taper 1:8 (Group3) Gear Set -13	0315-183-100	215	SPECIAL
AEK-215-15 gs		215 Taper 1:8 (Group3) Gear Set -15	0315-184-100	215	SPECIAL
AEK-215-16 gs		215 Taper 1:8 (Group3) Gear Set -16	0315-185-100	215	SPECIAL
AEK-215-17 gs		215 Taper 1:8 (Group3) Gear Set -17	0315-186-100	215	SPECIAL
AEK-215-18 gs		215 Taper 1:8 (Group3) Gear Set -18	0315-187-100	215	SPECIAL
AEK-215-20 gs		215 Taper 1:8 (Group3) Gear Set -20	0315-188-100	215	SPECIAL
AFR-215-10 gs		215 Taper (FORD) Gear Set -10	0315-162-100	215	SPECIAL
AFR-215-12 gs		215 Taper (FORD) Gear Set -12	0315-163-100	215	SPECIAL
AFR-215-15 gs		215 Taper (FORD) Gear Set -15	0315-164-100	215	SPECIAL
AGK-215-05 gs		215 3/4" 11 Spl Gear Set -05	0315-170-100	215	326 2905 320
AGK-215-07 gs		215 3/4" 11 Spl Gear Set -07	0315-171-100	215	326 2907 320
AGK-215-10 gs		215 3/4" 11 Spl Gear Set -10	0315-172-100	215	326 2910 320
AGK-215-12 gs		215 3/4" 11 Spl Gear Set -12	0315-173-100	215	326 2912 320
AGK-215-15 gs		215 3/4" 11 Spl Gear Set -15	0315-174-100	215	326 2915 320

# SERIES 215



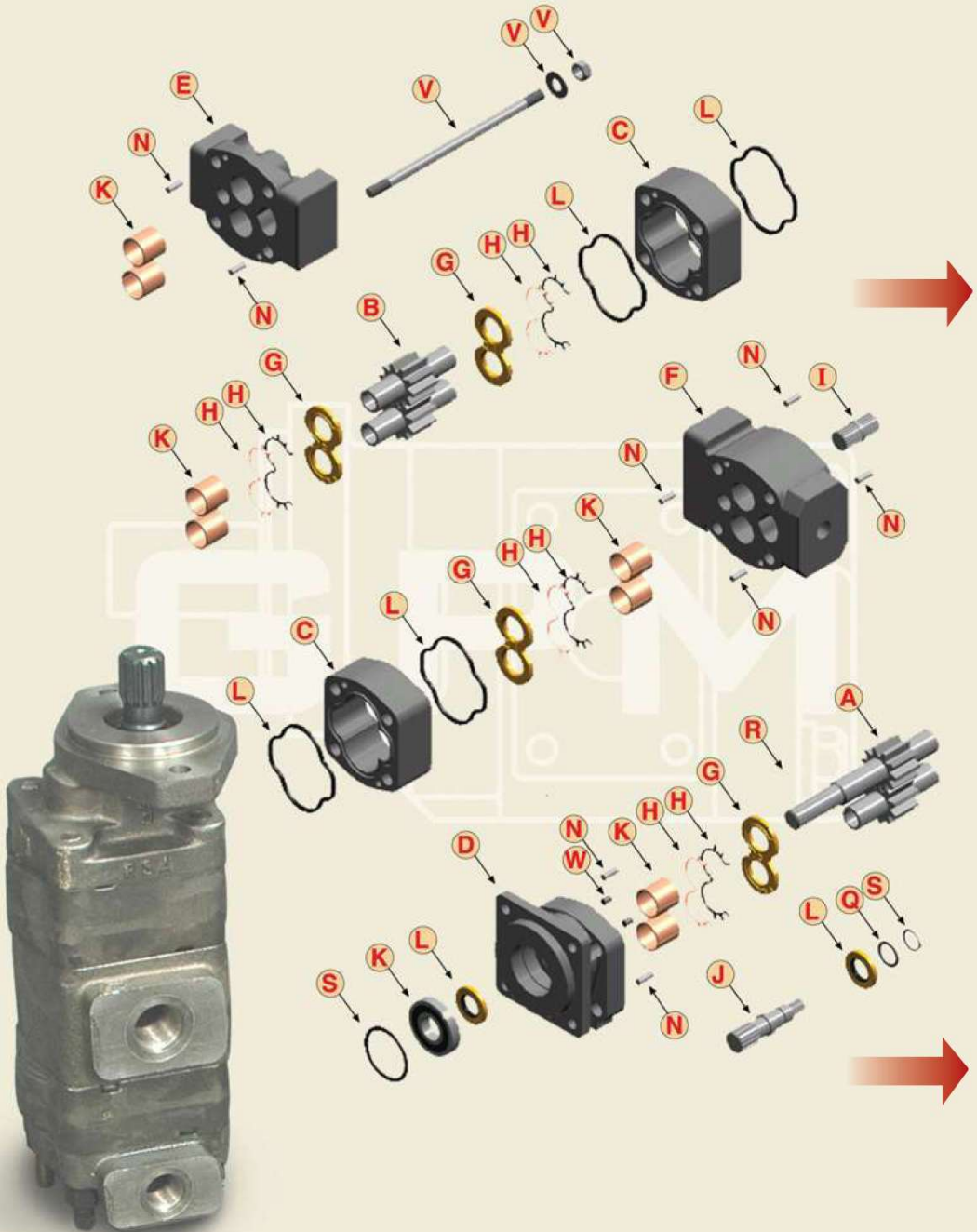
CODE	GPM unique no.	Description	Factory No.	Part No.	Reference*
<b>INTEGRAL GEAR SETS</b>					
<b>A</b>	ATK-215-03 gs	215 7/8" Taper Gear Set -03	0315-120-100	215-5203-92	326 2903 604
	ATK-215-05 gs	215 7/8" Taper Gear Set -05	0315-121-100	215-5205-92	326 2905 604
	ATK-215-06 gs	215 7/8" Taper Gear Set -06	0315-122-100	215-5206-92	326 2906 604
	ATK-215-07 gs	215 7/8" Taper Gear Set -07	0315-123-100	215-5207-92	326 2907 604
	ATK-215-08 gs	215 7/8" Taper Gear Set -08	0315-124-100	215-5208-92	326 2908 604
	ATK-215-10 gs	215 7/8" Taper Gear Set -10	0315-125-100	215-5210-92	326 2910 604
	ATK-215-11 gs	215 7/8" Taper Gear Set -11	0315-126-100	215-5211-92	326 2911 604
	ATK-215-12 gs	215 7/8" Taper Gear Set -12	0315-127-100	215-5212-92	326 2912 604
	ATK-215-13 gs	215 7/8" Taper Gear Set -13	0315-128-100	215-5213-92	326 2913 604
	ATK-215-15 gs	215 7/8" Taper Gear Set -15	0315-129-100	215-5215-92	326 2915 604
	ATK-215-16 gs	215 7/8" Taper Gear Set -16	0315-130-100	215-5216-92	326 2916 604
	ATK-215-17 gs	215 7/8" Taper Gear Set -17	0315-131-100	215-5217-92	326 2917 604
	ATK-215-18 gs	215 7/8" Taper Gear Set -18	0315-132-100	215-5218-92	326 2918 604
	ATK-215-20 gs	215 7/8" Taper Gear Set -20	0315-133-100	215-5220-92	326 2920 604
ASK-215-15 gs	215 Lube Pump Gear Set -20	0315-204-100		SPECIAL	
<b>CONTINENTAL GEAR SETS</b>					
<b>B</b>	BVK-215-05 gs	215 Gear Set -05	0315-051-100	215-5305-00	326 2805 000
	BVK-215-06 gs	215 Gear Set -06	0315-112-100		326 2806 000
	BVK-215-07 gs	215 Gear Set -07	0315-052-100	215-5307-00	326 2807 000
	BVK-215-08 gs	215 Gear Set -08	0315-113-100		326 2808 000
	BVK-215-10 gs	215 Gear Set -10	0315-053-100	215-5310-00	326 2810 000
	BVK-215-11 gs	215 Gear Set -11	0315-114-100		326 2811 000
	BVK-215-12 gs	215 Gear Set -12	0315-054-100	215-5312-00	326 2812 000
	BVK-215-13 gs	215 Gear Set -13	0315-115-100		326 2813 000
	BVK-215-15 gs	215 Gear Set -15	0315-055-100	215-5315-00	326 2815 000
	BVK-215-16 gs	215 Gear Set -16	0315-116-100		326 2816 000
	BVK-215-17 gs	215 Gear Set -17	0315-056-100	215-5317-00	326 2817 000
	BVK-215-18 gs	215 Gear Set -18	0315-117-100		326 2818 000
	BVK-215-20 gs	215 Gear Set -20	0315-057-100	215-5320-00	326 2820 000
	<b>GEAR HOUSINGS</b>				
<b>C</b>	CRK-215-03 hsg	215 Housing -03	0415-003-500	215-2103-00	326 8103 100
	CRK-215-05 hsg	215 Housing -05	0415-005-500	215-2105-00	326 8105 100
	CRK-215-06 hsg	215 Housing -06	0415-006-500	215-2106-00	326 8106 100
	CRK-215-07 hsg	215 Housing -07	0415-007-500	215-2107-00	326 8107 100
	CRK-215-08 hsg	215 Housing -08	0415-008-500	215-2108-00	326 8108 100
	CRK-215-10 hsg	215 Housing -10	0415-010-500	215-2110-00	326 8110 100
	CRK-215-11 hsg	215 Housing -11	0415-011-500	215-2111-00	326 8111 100
	CRK-215-12 hsg	215 Housing -12	0415-012-500	215-2112-00	326 8112 100
	CRK-215-13 hsg	215 Housing -13	0415-013-500	215-2113-00	326 8113 100
	CRK-215-15 hsg	215 Housing -15	0415-015-500	215-2115-00	326 8115 100
	CRK-215-16 hsg	215 Housing -16	0415-016-500	215-2116-00	326 8116 100
	CRK-215-17 hsg	215 Housing -17	0415-017-500	215-2117-00	326 8117 100
	CRK-215-18 hsg	215 Housing -18	0415-018-500	215-2118-00	326 8118 100
	CRK-215-20 hsg	215 Housing -20	0415-020-500	215-2120-00	326 8120 100
	CLK-215-03 motor hsg	215 M Housing -03	0415-060-500	215-2203-00	326 8203 100
	CLK-215-05 motor hsg	215 M Housing -05	0415-061-500	215-2205-00	326 8205 100
	CLK-215-06 motor hsg	215 M Housing -06	0415-062-500	215-2206-00	326 8206 100
	CLK-215-07 motor hsg	215 M Housing -07	0415-063-500	215-2207-00	326 8207 100
	CLK-215-08 motor hsg	215 M Housing -08	0415-064-500	215-2208-00	326 8208 100
	CLK-215-10 motor hsg	215 M Housing -10	0415-065-500	215-2210-00	326 8210 100
	CLK-215-11 motor hsg	215 M Housing -11	0415-066-500	215-2211-00	326 8211 100
	CLK-215-12 motor hsg	215 M Housing -12	0415-067-500	215-2212-00	326 8212 100
	CLK-215-13 motor hsg	215 M Housing -13	0415-068-500	215-2213-00	326 8213 100
	CLK-215-15 motor hsg	215 M Housing -15	0415-069-500	215-2215-00	326 8215 100
	CLK-215-16 motor hsg	215 M Housing -16	0415-070-500	215-2216-00	326 8216 100
	CLK-215-17 motor hsg	215 M Housing -17	0415-071-500	215-2217-00	326 8217 100
	CLK-215-18 motor hsg	215 M Housing -18	0415-072-500	215-2218-00	326 8218 100
	CLK-215-20 motor hsg	215 M Housing -20	0415-073-500	215-2220-00	326 8220 100
<b>SEC - SHAFT END COVERS</b>					
<b>D</b>	DWK-215 2b3 1/4" sec	215 SEC 2 Bolt 3/4" A	0415-043-500	215-1221-20	326 5129 204
	DWK-215 2b3 1/4" mot sec	215 SEC 2 Bolt 3/4" A motor	0415-047-500	215-1222-10	326 5129 404
	DWK-215-SPL 2b3 1/4" sec	215 SEC 2 Bolt 3/4" A for seal ret.	0415-045-500		326 5129 426
	DGK-215 2b4" sec	215 SEC 2 Bolt 4" B	0415-042-500	215-1231-20	326 5129 203
	DGK-215 2b4" motor sec	215 SEC 2 Bolt 4" B motor	0415-046-500	215-1232-10	326 5129 403
	DFK-215 fan motor sec	215 SEC Fan motor	0415-049-500	215-1101-10	SPECIAL

CODE	GPM unique no.	Description	Factory No.	Part No.	Reference*
<b>SEC - SHAFT END COVERS</b>					
<b>D</b>	DCP-215 Clutch sec	215 SEC Clutch	0415-054-500		SPECIAL
	DEK-215 4b4" sec	215 SEC 4 Bolt 4" B	0415-044-500		SPECIAL
	DFR-215 sec	215 SEC Ford	0415-041-500		SPECIAL
	DHK-215 GR3 EU SEC	215 SEC 4 Bolt Group 3 EURO	0415-040-500		SPECIAL
<b>PEC - PORT END COVERS</b>					
<b>E</b>	EUK-215-4 port pec	215 PEC 4 PORT Ported	0415-034-500	215-4200-00	326 3130 095
	EPK-215 fan motor pec	215 PEC Fan motor	0415-048-100	215-4400-00	
	EUK-215-M motor pec	215 PEC Motor	0415-025-500	215-4400-00	326 3120 100
	EUK-215 ported pec	215 PEC Ported	0415-035-500	215-4100-00	326 3130 100
	EKK-215 landem pec	215 PEC Tandem	0415-031-500	215-4300-00	326 3100 100
	ERK-215-RV pec		0415-233-500		SPECIAL
	EUK-215 PRV PEC		0415-234-500		SPECIAL
<b>BEARING CARRIERS</b>					
<b>F</b>	FYK-215-1 bc	215 Bearing Carrier 1 in 1 out	0415-080-500	215-3100-00	326 7600 100
	FYK-215-2 bc	215 Bearing Carrier 1 in 2 out	0415-030-500	215-3200-00	326 7800 100
	FYK-215-3W BC		0415-081-500		SPECIAL
	FYK-215-M bc		0415-082-500		
	FYK-215-M motor bc	215 Bearing Carrier Motor	0415-082-500		326 7700 100
<b>THRUST PLATES</b>					
<b>G</b>	GM-215 motor tp	215 Thrust Plate Motor	0415-037-500	215-8130-00	391 2185 070
	GCI-215 pump tp	215 Thrust Plate Pump	0415-036-500	215-8140-00	391 2185 063
<b>THRUST PLATE SEALS</b>					
<b>H</b>	HM-215-MSBU tps	215 Thrust Plate M B/Up	0415-014-200	215-8732-70	391 2881 995
	HM-215-MES tps	215 Thrust Plate M Seal E	0415-013-200	215-8732-60	391 2881 996
	HM-215-MSS tps	215 Thrust Plate M Seal S	0415-012-200	215-8732-40	391 2881 997
	HCI-215-CS tps	215 Thrust Plate Seal	0415-010-200	215-8731-20	391 2883 168
	HCI-215-CSBU tps	215 Thrust Plate Seal B/Up	0415-011-200	215-8731-30	391 2883 169
<b>CONNECTING SHAFT</b>					
<b>I</b>	IZK-215 cs	215 Connecting Shaft	0415-038-500	215-7000-00	326 1133 001
<b>CONTINENTAL SHAFTS</b>					
<b>J</b>	JGD-215 1" key cds	215 1" Key Shaft	0415-050-500	215-6100-13	
	JGD-215 1" key cds long	For fan motor SEC only 1"	0415-052-500		SPECIAL
<b>BEARINGS / BUSHES</b>					
<b>K</b>	KX-215-215 shaft brg	215 Bearing	0415-107-200	215-8020-00	391 0391 105
	KBUSH-215	215 Bush	0415-001-200	215-8000-00	391 0482 206
<b>SEALS</b>					
<b>L</b>	LUB-215-239M bs	215 Body Seal motor	0415-109-200	215-8720-00	391 2881 429
	LUB-215-239 bs	215 Body Seal pump	0415-108-200	215-8720-00	391 2881 968
	LX-215-M motor seal	215 Shaft Seal Motor	0415-106-200	215-8713-00	391 2883 156
	LX-215 pump seal	215 Shaft Seal Pump	0415-105-200	215-8711-00	391 2883 151
<b>RETAINERS</b>					
<b>M</b>	MFR-215 s/retainer	215 Seal Retainer	0415-091-500		SPECIAL
	MSK-215 s/retainer	215 Seal Retainer	0415-092-500		SPECIAL
<b>DOWEL PINS</b>					
<b>N</b>	NDOWEL-215	215 Dowel	0415-120-500	215-8600-00	391 2082 071
<b>SPACERS</b>					
<b>Q</b>	QAE-215 ms/spacer	215 Seal spacer motor	0415-090-500	215-8410-10	391 3384 913
<b>KEYS</b>					
<b>R</b>	RX-113 key	290 Key	0451-010-200	XXX-8920-04	391 1781 020
	RX-20 key	290 Key .19 x 1.25 .28	0415-140-200	XXX-8920-04	391 1781 027
	RX-16 key	290 Key 1/4" x 1/4" x 1 1/4"	0425-132-200	XXX-8920-05	391 1781 082
	RX-18 key	290 Key 1/4" x 1/4" x 1"	0430-123-200	XXX-8920-05	391 1781 085
	RX-17 key	290 Key 1/4" x 3/8" x 1"	0430-122-200	XXX-8920-02	391 1781 025
	RX-13 key	290 Key 5/16" x 3/8" x 1 1/4"	0425-130-200	XXX-8920-01	391 1781 021
	RX-38 key	290 Key 5/16" x 15/32" x 1 1/2"	0425-129-200	XXX-8920-03	391 1781 045
	RX-19 key	290 Key 5/16" x 5/16" x 1 1/2"	0425-133-200	XXX-8920-06	391 1781 083
	RX-54 key	290 Key 5/16" x 5/16" x 1 1/4"	0430-124-200	XXX-8920-07	391 1781 007



CODE	GPM unique no.	Description	Factory No.	Part No.	Reference*
<b>SNAP RINGS</b>					
<b>S</b>	SX-215 snap ring	215 Circlip motor	0415-111-200	215-8310-00	391 2686 016
<b>BOLTS, STUDS, NUTS &amp; WASHERS</b>					
<b>V</b>	VWASHER 1/2"	121 1/2" washer	0415-177-500	215-8241-00	391 3782 132
	VNUT 1/2"	215 1/2" Nut	0415-176-200	215-8231-00	391 1451 051
	VBOLT 1/2" X 2.75"	215 Bolt 1/2" UNC	0415-129-200	215-8211-I3	391 1401 349
	VBOLT 1/2" X 3.00"	215 Bolt 1/2" UNC	0415-141-200	215-8211-A0	391 1401 342
	VBOLT 1/2" X 3.25"	215 Bolt 1/2" UNC	0415-142-200	215-8211-A1	391 1401 154
	VBOLT 1/2" X 3.50"	215 Bolt 1/2" UNC	0415-143-200	215-8211-A2	391 1401 348
	VBOLT 1/2" X 3.75"	215 Bolt 1/2" UNC	0415-144-200	215-8211-A3	391 1401 347
	VBOLT 1/2" X 4.00"	215 Bolt 1/2" UNC	0415-145-200	215-8211-B0	391 1407 003
	VBOLT 1/2" X 4.25"	215 Bolt 1/2" UNC	0415-146-200	215-8211-B1	391 1407 004
	VBOLT 1/2" X 4.50"	215 Bolt 1/2" UNC	0415-147-200	215-8211-B2	391 1407 005
	VBOLT 1/2" X 4.75"	215 Bolt 1/2" UNC	0415-148-200	215-8211-B3	391 1407 006
	VBOLT 1/2" X 5.00"	215 Bolt 1/2" UNC	0415-149-200	215-8211-C0	391 1407 007
	VBOLT 1/2" X 5.50"	215 Bolt 1/2" UNC	0415-150-200	215-8211-C2	391 1407 009
	VBOLT 1/2" X 5.75"	215 Bolt 1/2" UNC	0415-151-200	215-8211-C3	391 1407 010
	VBOLT 1/2" X 6.00"	215 Bolt 1/2" UNC	0415-152-200	215-8211-D0	391 1407 011
	VBOLT 1/2" X 6.25"	215 Bolt 1/2" UNC	0415-153-200	215-8211-D1	391 1407 012
	VBOLT 1/2" X 6.50"	215 Bolt 1/2" UNC	0415-154-200	215-8211-D2	391 1401 013
	VBOLT 1/2" X 6.75"	215 Bolt 1/2" UNC	0415-155-200	215-8211-D3	391 1401 014
	VBOLT 1/2" X 7.00"	215 Bolt 1/2" UNC	0415-156-200	215-8211-E0	391 1401 015
	VBOLT 1/2" X 7.50"	215 Bolt 1/2" UNC	0415-157-200	215-8211-E2	391 1407 016
	VSTUD 1/2" X 06"-11"	215 Stud 1/2" 06"-11"	0482-060-110	215-8221-01	SPECIAL
	VSTUD 1/2" X 11"-16"	215 Stud 1/2" 11"-16"	0482-110-160	215-8221-02	SPECIAL
	VSTUD 1/2" X 16"-21"	215 Stud 1/2" 16"-21"	0482-160-210	215-8221-03	SPECIAL
	VSTUD 1/2" X 21"-26"	215 Stud 1/2" 21"-26"	0482-210-260	215-8221-04	SPECIAL
	VSTUD 1/2" X 06"-11"	215 Stud 1/2" unc	0482-060-110	215	SPECIAL
	VSTUD 1/2" X 11"-16"	215 Stud 1/2" unc	0482-110-160	215	SPECIAL
	VSTUD 1/2" X 16"-21"	215 Stud 1/2" unc	0482-160-210	215	SPECIAL
	VSTUD 1/2" X 21"-26"	215 Stud 1/2" unc	0482-210-260	215	SPECIAL
<b>GENERAL</b>					
<b>W</b>	WM-1391-K check valve	290 Check Valve SEC	0431-001-200	XXX-8820-00	391 3681 001
	WX-131-11 plug	290 Plug 1/4" npt	0475-111-200	XXX-8810-00	391 2281 010
	WT-131-1391 plug	290 Plug SEC	0431-002-200	XXX-8810-00	391 2286 004







# SERIES 230

CODE	GPM unique no.	Description	Factory No.	Part No.	Reference*
------	----------------	-------------	-------------	----------	------------

INTEGRAL GEAR SETS					
A	AHC-230-07 gs	230 1 1/8" Key Gear Set -07	0333-082-100	230-5107-14	SPECIAL
	AHC-230-10 gs	230 1 1/8" Key Gear Set -10	0333-083-100	230-5110-14	SPECIAL
	AHC-230-12 gs	230 1 1/8" Key Gear Set -12	0333-084-100	230-5112-14	SPECIAL
	AHC-230-15 gs	230 1 1/8" Key Gear Set -15	0333-085-100	230-5115-14	SPECIAL
	AHC-230-17 gs	230 1 1/8" Key Gear Set -17	0333-086-100	230-5117-14	SPECIAL
	AHC-230-20 gs	230 1 1/8" Key Gear Set -20	0333-087-100	230-5120-14	SPECIAL
	AAC-230-07 gs	230 1" 15 Spl Gear Set -07	0333-062-100	230-5107-53	324 2907 240
	AAC-230-10 gs	230 1" 15 Spl Gear Set -10	0333-063-100	230-5110-53	324 2910 240
	AAC-230-12 gs	230 1" 15 Spl Gear Set -12	0333-064-100	230-5112-53	324 2912 240
	AAC-230-15 gs	230 1" 15 Spl Gear Set -15	0333-065-100	230-5115-53	324 2915 240
	AAC-230-17 gs	230 1" 15 Spl Gear Set -17	0333-066-100	230-5117-53	324 2917 240
	AAC-230-20 gs	230 1" 15 Spl Gear Set -20	0333-067-100	230-5120-53	324 2920 240
	AEC-230-05 gs	230 1" Key Gear Set -05	0333-071-100	230-5105-13	324 2905 740
	AEC-230-07 gs	230 1" Key Gear Set -07	0333-072-100	230-5107-13	324 2907 740
	AEC-230-10 gs	230 1" Key Gear Set -10	0333-073-100	230-5110-13	324 2910 740
	AEC-230-12 gs	230 1" Key Gear Set -12	0333-074-100	230-5112-13	324 2912 740
	AEC-230-15 gs	230 1" Key Gear Set -15	0333-075-100	230-5115-13	324 2915 740
	AEC-230-17 gs	230 1" Key Gear Set -17	0333-076-100	230-5117-13	324 2917 740
	AEC-230-20 gs	230 1" Key Gear Set -20	0333-077-100	230-5120-13	324 2920 740
	AEC-230-22 gs	230 1" Key Gear Set -22	0333-078-100	230-5120-13	324 2922 740
	AEC-230-25 gs	230 1" Key Gear Set -25	0333-079-100	230-5125-13	324 2925 740
	ATH-230-17 taper gs	230 15/16 keyed 7/8unf thread	0333-090-100	230-5117-17	
	ABC-230-05 gs	230 7/8" 13 Spl Gear Set -05	0333-021-100	230-5105-32	324 2905 230
	ABC-230-07 gs	230 7/8" 13 Spl Gear Set -07	0333-022-100	230-5107-32	324 2907 230
	ABC-230-10 gs	230 7/8" 13 Spl Gear Set -10	0333-023-100	230-5110-32	324 2910 230
	ABC-230-12 gs	230 7/8" 13 Spl Gear Set -12	0333-024-100	230-5112-32	324 2912 230
	ABC-230-15 gs	230 7/8" 13 Spl Gear Set -15	0333-025-100	230-5115-32	324 2915 230
	ABC-230-17 gs	230 7/8" 13 Spl Gear Set -17	0333-026-100	230-5117-32	324 2917 230
	ABC-230-20 gs	230 7/8" 13 Spl Gear Set -20	0333-027-100	230-5120-32	324 2920 230
	ABC-230-22 gs	230 7/8" 13 Spl Gear Set -22	0333-028-100	230-5122-32	324 2922 230
	ABC-230-25 gs	230 7/8" 13 Spl Gear Set -25	0333-029-100	230-5125-32	324 2925 230
	ABC-230-4-05 gs	230 7/8" 13 Spl Gear Set -05 short	0333-049-100	230-5205-32	324 2905 330
	ABC-230-4-07 gs	230 7/8" 13 Spl Gear Set -07 short	0333-050-100	230-5207-32	324 2907 330
	ABC-230-4-10 gs	230 7/8" 13 Spl Gear Set -10 short	0333-051-100	230-5210-32	324 2910 330
	ABC-230-4-12 gs	230 7/8" 13 Spl Gear Set -12 short	0333-052-100	230-5212-32	324 2912 330
	ABC-230-4-15 gs	230 7/8" 13 Spl Gear Set -15 short	0333-053-100	230-5215-32	324 2915 330
	ABC-230-4-17 gs	230 7/8" 13 Spl Gear Set -17 short	0333-054-100	230-5217-32	324 2917 330
	ABC-230-4-20 gs	230 7/8" 13 Spl Gear Set -20 short	0333-055-100	230-5220-32	324 2920 330
	ADC-230-05 gs	230 7/8" Key Gear Set -05	0333-031-100	230-5105-12	324 2905 630
	ADC-230-07 gs	230 7/8" Key Gear Set -07	0333-032-100	230-5107-12	324 2907 630
ADC-230-10 gs	230 7/8" Key Gear Set -10	0333-033-100	230-5110-12	324 2910 630	
ADC-230-12 gs	230 7/8" Key Gear Set -12	0333-034-100	230-5112-12	324 2912 630	
ADC-230-15 gs	230 7/8" Key Gear Set -15	0333-035-100	230-5115-12	324 2915 630	
ADC-230-17 gs	230 7/8" Key Gear Set -17	0333-036-100	230-5117-12	324 2917 630	
ADC-230-20 gs	230 7/8" Key Gear Set -20	0333-037-100	230-5120-12	324 2920 630	
AEC-230-08 gs	230 1" Key Gear Set -08	0333-138-100		324 2908 740	
AFD-230-16 gs	230 FORD Gear Set -16	0456-016-100		SPECIAL	
AFD-230-17 gs	230 FORD Gear Set -17	0456-017-100		SPECIAL	
AHC-230-20 L gs		0333-187-100		SPECIAL	

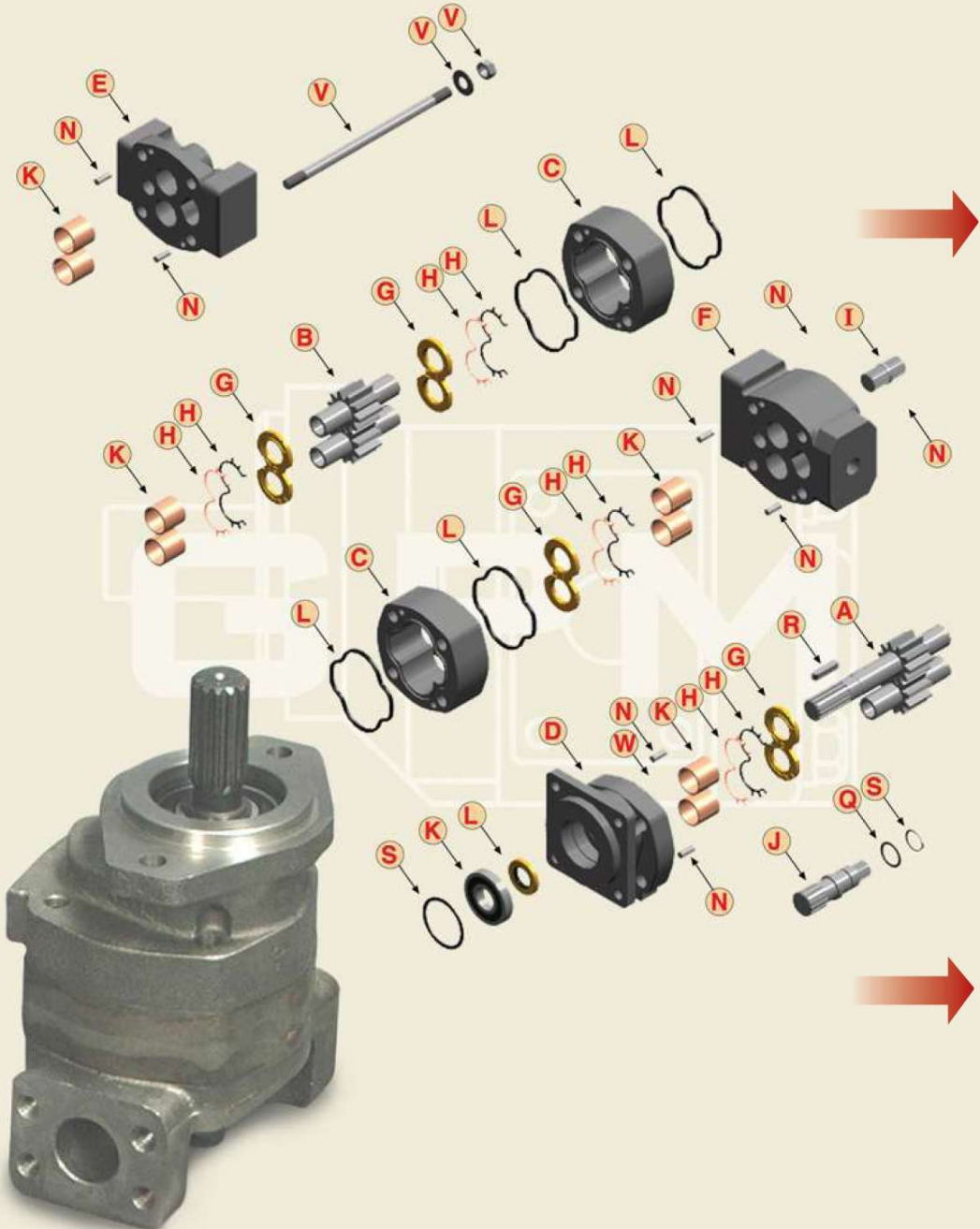
CONTINENTAL GEAR SETS					
B	BVC-230-05 gs	230 Gear Set -05	0333-011-100	230-5305-00	324 2805 000
	BVC-230-07 gs	230 Gear Set -07	0333-012-100	230-5307-00	324 2807 000
	BVC-230-08 gs	230 Gear Set -08	0333-118-100		324 2808 000
	BVC-230-10 gs	230 Gear Set -10	0333-013-100	230-5310-00	324 2810 000
	BVC-230-12 gs	230 Gear Set -12	0333-014-100	230-5312-00	324 2812 000
	BVC-230-15 gs	230 Gear Set -15	0333-015-100	230-5315-00	324 2815 000
	BVC-230-17 gs	230 Gear Set -17	0333-016-100	230-5317-00	324 2817 000
	BVC-230-20 gs	230 Gear Set -20	0333-017-100	230-5320-00	324 2820 000
	BVC-230-22 gs	230 Gear Set -22	0333-018-100	230-5322-00	324 2822 000
	BVC-230-25 gs	230 Gear Set -25	0333-019-100	230-5325-00	324 2825 000

GEAR HOUSINGS					
C	CRC-230-05 hsg	230 Housing -05	0433-005-500	230-2105-00	324 8105 100
	CRC-230-07 hsg	230 Housing -07	0433-007-500	230-2107-00	324 8107 100
	CRC-230-10 hsg	230 Housing -10	0433-010-500	230-2110-00	324 8110 100
	CRC-230-12 hsg	230 Housing -12	0433-012-500	230-2112-00	324 8112 100
	CRC-230-15 hsg	230 Housing -15	0433-015-500	230-2115-00	324 8115 100
	CRC-230-17 hsg	230 Housing -17	0433-017-500	230-2117-00	324 8117 100
	CRC-230-20 hsg	230 Housing -20	0433-020-500	230-2120-00	324 8120 100
	CRC-230-22 hsg	230 Housing -22	0433-022-500	230-2122-00	324 8122 100



CODE	GPM unique no.	Description	Factory No.	Part No.	Reference*
<b>GEAR HOUSINGS</b>					
<b>C</b>	CRC-230-25 hsg	230 Housing -25	0433-025-500	230-2125-00	324 8125 100
	CSC-230-05 motor hsg	230 M Housing -05	0433-070-500	230-2205-00	324 8205 100
	CSC-230-07 motor hsg	230 M Housing -07	0433-071-500	230-2207-00	324 8207 100
	CSC-230-10 motor hsg	230 M Housing -10	0433-072-500	230-2210-00	324 8210 100
	CSC-230-12 motor hsg	230 M Housing -12	0433-073-500	230-2212-00	324 8212 100
	CSC-230-15 motor hsg	230 M Housing -15	0433-074-500	230-2215-00	324 8215 100
	CSC-230-17 motor hsg	230 M Housing -17	0433-075-500	230-2217-00	324 8217 100
	CSC-230-20 motor hsg	230 M Housing -20	0433-076-500	230-2220-00	324 8220 100
<b>SEC - SHAFT END COVERS</b>					
<b>D</b>	DGC-230 2b4* sec	230 SEC 2 Bolt 4* B	0433-042-500	230-1231-10	324 5123 201
	DGC-230 2b4* sh sec	230 SEC 2 Bolt 4* B Short	0433-046-500	230-1231-20	324 5129 203
	DGC-230-SH 2b4* sh sec	230 SEC 2 Bolt 4* B short	0433-046-500		324 5129 203
	DNC-230 2b5* sec	230 SEC 2 Bolt 5* C	0433-055-500	230-1241-10	SPECIAL
	DFD-230 ford sec	230 SEC 2 Bolt B extra short	0456-035-500		324 5129 204
	DEC-230 4b4* sec	230 SEC 4 Bolt 4* B	0433-040-500	230-1331-10	324 5133 201
	DPC-230 4b5* sec	230 SEC 4 Bolt 5* C	0433-041-500	230-1341-10	324 5133 202
	DWC-230-2b3.25* sec	230 SEC 2b3.25* A	0433-043-500		324 5129 203
<b>PEC - PORT END COVERS</b>					
<b>E</b>	EUC-230-M motor pec	230 PEC Motor	0433-079-500	230-4400-00	324 3120 100
	EUC-230 ported pec	230 PEC Ported	0433-033-500	230-4200-00	324 3110 100
	EXC-230 tandem pec	230 PEC Tandem	0433-031-500	230-4300-00	324 3100 100
	EFD-230 ford pec	230 PEC Ford	0456-030-500		SPECIAL
<b>BEARING CARRIERS</b>					
<b>F</b>	FWC-230-1 bc	230 Bearing Carrier 1-1	0433-080-500	230-3100-00	324 7600 100
	FWC-230-2 bc	230 Bearing Carrier 1-2	0433-030-500	230-3200-00	324 7600 100
	FWC-230-M motor bc	230 Bearing Carrier Motor	0433-082-500	230-3400-00	324 7600 100
<b>THRUST PLATES</b>					
<b>G</b>	GM-230 motor tp	230 Thrust Plate Motor	0433-037-500	230-8130-00	391 2185 065
	GCI-230 pump tp	230 Thrust Plate Pump	0433-036-500	230-8140-00	391 2185 056
<b>THRUST PLATE SEALS</b>					
<b>H</b>	HCI-230-CSBU tps	230 Thrust Plate B/Up	0433-011-200	230-8731-30	391 2883 167
	HM-230-MSBU tps	230 Thrust Plate M B/Up	0433-014-200	230-8732-70	391 2881 929
	HM-230-MES tps	230 Thrust Plate M Seal E	0433-013-200	230-8732-60	391 2881 930
	HM-230-MSS tps	230 Thrust Plate M Seal S	0433-012-200	230-8732-40	391 2881 931
	HCI-230-CS tps	230 Thrust Plate Seal	0433-010-200	230-8731-20	391 2883 166
<b>CONNECTING SHAFT</b>					
<b>I</b>	IZC-230 cs	230 Connecting Shaft	0433-038-500	230-7000-00	324 1133 001
<b>CONTINENTAL SHAFTS</b>					
<b>J</b>	JCH-230 14spl cds	230 1 1/4" 14 Spl Shaft	0433-060-500	230-6100-45	324 1000 500
	JCW-230 1 1/4" cds	230 1 1/4" Key Shaft	0433-067-500	230-6100-15	324 1500 501
	JCD-230 1" key cds	230 1" Key Shaft	0433-057-500	230-6100-13	324 1500 400
	JCK-230 7/8" key cds	230 7/8" Key Shaft	0433-059-500	230-6100-12	324 1500 300
	JCK-230 7/8" L key cds	230 7/8" Key Shaft	0433-061-500		SPECIAL
	JHH-230 1 1/8" cds	230 1 1/8" Key Shaft	0433-068-500		SPECIAL
	JKD-230 cds	230 1 1/4" 6 Spl Shaft	0433-069-500		SPECIAL
<b>BEARINGS / BUSHES</b>					
<b>K</b>	KX-131-40 shaft brg	131/230 Shaft Bearing	0430-105-200	131-8020-00	391 0381 040
	KBUSH-230	230 Bush	0433-001-200	230-6000-00	391 0482 306
<b>SEALS</b>					
<b>L</b>	LX-131-11 motor seal	131 Shaft Seal Motor C	0430-121-200	131-8713-00	391 2883 126
	LX-131-9 motor seal	131 Shaft Seal Motor I	0430-101-200	131-8714-00	391 2883 119
	LX-131-18 pump seal	131 Shaft Seal Pump C	0475-110-200	131-8712-00	391 2883 107
	LX-131-16 pump seal	131 Shaft Seal Pump I	0430-102-200	131-8711-00	391 2883 058
	LX-131V-16 viton seal	131 Viton seal	0430-098-200	131-8711-10	
	LX-131V-18 viton seal	131 Viton seal	0430-099-200	131-8712-10	
	LUB-131-242 bs	131/230 Body Seal	0430-108-200	131-8720-00	391 2884 050

CODE	GPM unique no.	Description	Factory No.	Part No.	Reference*	
<b>RETAINERS</b>						
<b>M</b>	MNA-230-1 s/retainer tt	230 Seal Retainer Teiltaile	0433-081-500	230-8500-00	391 2584 037	
<b>DOWEL PINS</b>						
<b>N</b>	NDOWEL-131	290 Dowel 131/151/230/250	0425-120-500	XXX-8600-00	391 2082 032	
<b>SPACERS</b>						
<b>Q</b>	QVB-131-2 brg spacer	131 Bearing Spacer	0430-042-500	131-8430-02	391 3383 069	
	QAE-131 s/spacer	131 Seal Spacer	0430-041-500	131-8410-00	391 3381 040	
	QTB-131 shaft spacer	131 Shaft Spacer	0430-066-500	131-8420-00	312 0100 002	
<b>KEYS</b>						
<b>R</b>	RX-113 key	290 Key	0451-010-200	XXX-8920-04	391 1781 020	
	RX-20 key	290 Key .19 x 1.25 .28	0415-140-200	XXX-8920-04	391 1781 027	
	RX-16 key	290 Key 1/4" x 1/4" x 1 1/4"	0425-132-200	XXX-8920-05	391 1781 082	
	RX-18 key	290 Key 1/4" x 1/4" x 1"	0430-123-200	XXX-8920-05	391 1781 085	
	RX-17 key	290 Key 1/4" x 3/8" x 1"	0430-122-200	XXX-8920-02	391 1781 025	
	RX-13 key	290 Key 1/4" x 3/8" x 1 1/4"	0425-130-200	XXX-8920-01	391 1781 021	
	RX-38 key	290 Key 5/16" x 15/32" x 1 1/2"	0425-129-200	XXX-8920-03	391 1781 045	
	RX-19 key	290 Key 5/16" x 5/16" x 1 1/2"	0425-133-200	XXX-8920-06	391 1781 083	
RX-54 key	290 Key 5/16" x 5/16" x 1 1/4"	0430-124-200	XXX-8920-07	391 1781 007		
<b>SNAP RINGS</b>						
<b>S</b>	SX-131-206 snap ring	131/230 Snap Ring SEC	0425-110-200	XXX-8310-00	391 2686 063	
	SX-131-100 snap ring	131/230 Snap Ring Shaft	0425-109-200	XXX-8320-00	391 2685 011	
<b>BOLTS, STUDS, NUTS AND WASHERS</b>						
<b>V</b>	VBOLT 5/8" X 3.75"	290 Bolt 5/8" UNC	0425-151-200	XXX-8212-A3	391 1401	
	VBOLT 5/8" X 4.00"	290 Bolt 5/8" UNC	0425-152-200	XXX-8212-B0	391 1401 463	
	VBOLT 5/8" X 4.25"	290 Bolt 5/8" UNC	0425-160-200	XXX-8212-B1	391 1401 346	
	VBOLT 5/8" X 4.25"	290 Bolt 5/8" UNC	0425-153-200	XXX-8212-B2	391 1401 294	
	VBOLT 5/8" X 4.75"	290 Bolt 5/8" UNC	0425-161-200	XXX-8212-B3	391 1401 341	
	VBOLT 5/8" X 5.00"	290 Bolt 5/8" UNC	0425-154-200	XXX-8212-B0	391 1401 295	
	VBOLT 5/8" X 5.25"	290 Bolt 5/8" UNC	0425-159-200	XXX-8212-C1	391 1401	
	VBOLT 5/8" X 5.50"	290 Bolt 5/8" UNC	0425-155-200	XXX-8212-B2	391 1401 362	
	VBOLT 5/8" X 5.75"	290 Bolt 5/8" UNC	0425-162-200	XXX-8212-C3	391 1401 334	
	VBOLT 5/8" X 6.00"	290 Bolt 5/8" UNC	0425-156-200	XXX-8212-D0	391 1401 405	
	VBOLT 5/8" X 6.25"	290 Bolt 5/8" UNC	0425-166-200	XXX-8212-D1	391 1401	
	VBOLT 5/8" X 6.50"	290 Bolt 5/8" UNC	0425-157-200	XXX-8212-D2	391 1401 363	
	VBOLT 5/8" X 6.75"	290 Bolt 5/8" UNC	0425-163-200	XXX-8212-D3	391 1401 528	
	VBOLT 5/8" X 7.00"	290 Bolt 5/8" UNC	0425-158-200	XXX-8212-E0	391 1401 409	
	VBOLT 5/8" X 8.00"	290 Bolt 5/8" UNC	0425-164-200	XXX-8212-F0	391 1401 473	
	VBOLT 5/8" X 9.00"	290 Bolt 5/8" UNC	0425-165-200	XXX-8212-J0	391 1401 374	
	VSTUD 5/8" X 06"-11"	290 Stud 5/8" unc 06"-11"	0484-060-110	XXX-8222-01	SPECIAL	
	VSTUD 5/8" X 11"-16"	290 Stud 5/8" unc 11"-16"	0484-110-160	XXX-8222-02	SPECIAL	
	VSTUD 5/8" X 16"-21"	290 Stud 5/8" unc 16"-21"	0484-160-210	XXX-8222-03	SPECIAL	
	VSTUD 5/8" X 21"-26"	290 Stud 5/8" unc 21"-26"	0484-210-260	XXX-8222-04	SPECIAL	
	VROD 5/8"	290 Tie Rod 5/8" unc	0425-140-200	XXX-8222-00	SPECIAL	
	VWASHER 5/8"	290-131/151/230/250 5/8" washer	0450-177-500	XXX-8242-00	391 3784 028	
	VNUT 5/8"	290-5/8" Nut	0455-176-200	XXX-8230-00	391 1451 076	
	<b>GENERAL</b>					
	<b>W</b>	WM-1391-K check valve	290 Check Valve SEC	0431-001-200	XXX-8820-00	391 3681 001
		WT-131-1391 plug	290 Plug SEC	0431-002-200	XXX-8810-00	391 2286 004







# SERIES 250

CODE	GPM unique no.	Description	Factory No.	Part No.	Reference*
------	----------------	-------------	-------------	----------	------------

INTEGRAL GEAR SETS					
A	APF-250-07 gs	250 1 1/4" 14 Spl Gear Set -07	0335-022-100	250-5107-45	323 2907 250
	APF-250-10 gs	250 1 1/4" 14 Spl Gear Set -10	0335-023-100	250-5110-45	323 2910 250
	APF-250-12 gs	250 1 1/4" 14 Spl Gear Set -12	0335-024-100	250-5112-45	323 2912 250
	APF-250-15 gs	250 1 1/4" 14 Spl Gear Set -15	0335-025-100	250-5115-45	323 2915 250
	APF-250-17 gs	250 1 1/4" 14 Spl Gear Set -17	0335-026-100	250-5117-45	323 2917 250
	APF-250-20 gs	250 1 1/4" 14 Spl Gear Set -20	0335-027-100	250-5120-45	323 2920 250
	APF-250-22 gs	250 1 1/4" 14 Spl Gear Set -22	0335-028-100	250-5122-45	323 2922 250
	APF-250-25 gs	250 1 1/4" 14 Spl Gear Set -25	0335-029-100	250-5125-45	323 2925 250
	ASF-250-07 gs	250 1 1/4" Key Gear Set -07	0335-032-100	250-5107-15	323 2907 750
	ASF-250-10 gs	250 1 1/4" Key Gear Set -10	0335-033-100	250-5110-15	323 2910 750
	ASF-250-12 gs	250 1 1/4" Key Gear Set -12	0335-034-100	250-5112-15	323 2912 750
	ASF-250-15 gs	250 1 1/4" Key Gear Set -15	0335-035-100	250-5115-15	323 2915 750
	ASF-250-17 gs	250 1 1/4" Key Gear Set -17	0335-036-100	250-5117-15	323 2917 750
	ASF-250-20 gs	250 1 1/4" Key Gear Set -20	0335-037-100	250-5120-15	323 2920 750
	ASF-250-22 gs	250 1 1/4" Key Gear Set -22	0335-039-100	250-5122-15	323 2922 750
	ASF-250-25 gs	250 1 1/4" Key Gear Set -25	0335-039-100	250-5125-15	323 2925 750
	ACF-250-12 gs cse	250 1 1/8" 17 Spl Gear Set - 12	0335-070-100		323 2912 204
	ACF-250-13 gs cse	250 1 1/8" 17 Spl Gear Set -13	0335-071-100	250-5117-84	323 2913 204*
	ACF-250-15 gs cse	250 1 1/8" 17 Spl Gear Set - 15	0335-072-100		SPECIAL
	AAF-250-12 gs	250 1" 15 Spl Gear Set-12	0335-084-100	250-5112-53	323 2912 240
	AAF-250-15 gs	250 1" 15 Spl Gear Set-15	0335-085-100	250-5115-53	323 2915 240
	AAF-250-17 gs	250 1" 15 Spl Gear Set-17	0335-086-100	250-5117-53	323 2915 240
	AAF-250-20 gs	250 1" 15 Spl Gear Set -20	0335-087-100		323 2920 240
	AAF-250-22 gs	250 1" 15 Spl Gear Set -22	0335-088-100		323 2922 240
	AAF-250-25 gs	250 1" 15 Spl Gear Set -25	0335-089-100		323 2925 240
	ATF-250-07 gs	250 1" Key Gear Set -07	0335-042-100	250-5107-13	323 2907 740
	ATF-250-10 gs	250 1" Key Gear Set -10	0335-043-100	250-5110-13	323 2910 740
	ATF-250-12 gs	250 1" Key Gear Set -12	0335-044-100	250-5112-13	323 2912 740
	ATF-250-15 gs	250 1" Key Gear Set -15	0335-045-100	250-5115-13	323 2915 740
	ATF-250-17 gs	250 1" Key Gear Set -17	0335-046-100	250-5117-13	323 2917 740
	ATF-250-20 gs	250 1" Key Gear Set -20	0335-047-100	250-5120-13	323 2920 740
	ATF-250-22 gs	250 1" Key Gear Set -22	0335-048-100	250-5122-13	323 2922 740
	ATF-250-25 gs	250 1" Key Gear Set -25	0335-049-100	250-5125-13	323 2925 740
	ACL-250-25 gs	250 14 Spl Clark Gear Set -25	0350-094-100	151-6400-47	SPECIAL
	AVF-250-05 gs	250 7/8" 13 Spl Gear Set -05	0335-051-100	250-5105-32	323 2905 230
	AVF-250-07 gs	250 7/8" 13 Spl Gear Set -07	0335-052-100	250-5107-32	323 2907 230
	AVF-250-10 gs	250 7/8" 13 Spl Gear Set -10	0335-053-100	250-5110-32	323 2910 230
	AVF-250-12 gs	250 7/8" 13 Spl Gear Set -12	0335-054-100	250-5112-32	323 2912 230
	AVF-250-15 gs	250 7/8" 13 Spl Gear Set -15	0335-055-100	250-5115-32	323 2915 230
	AVF-250-17 gs	250 7/8" 13 Spl Gear Set -17	0335-056-100	250-5117-32	323 2917 230
AVF-250-20 gs	250 7/8" 13 Spl Gear Set -20	0335-057-100	250-5120-32	323 2920 230	
AVF-250-22 gs	250 7/8" 13 Spl Gear Set -22	0335-058-100	250-5122-32	323 2922 230	
AVF-250-25 gs	250 7/8" 13 Spl Gear Set -25	0335-059-100	250-5125-32	323 2925 230	
ACL-250-25 gs	SPECIAL	0350-094-100		SPECIAL	
ASF-250-10 L gs	SPECIAL	0335-033-101		SPECIAL	

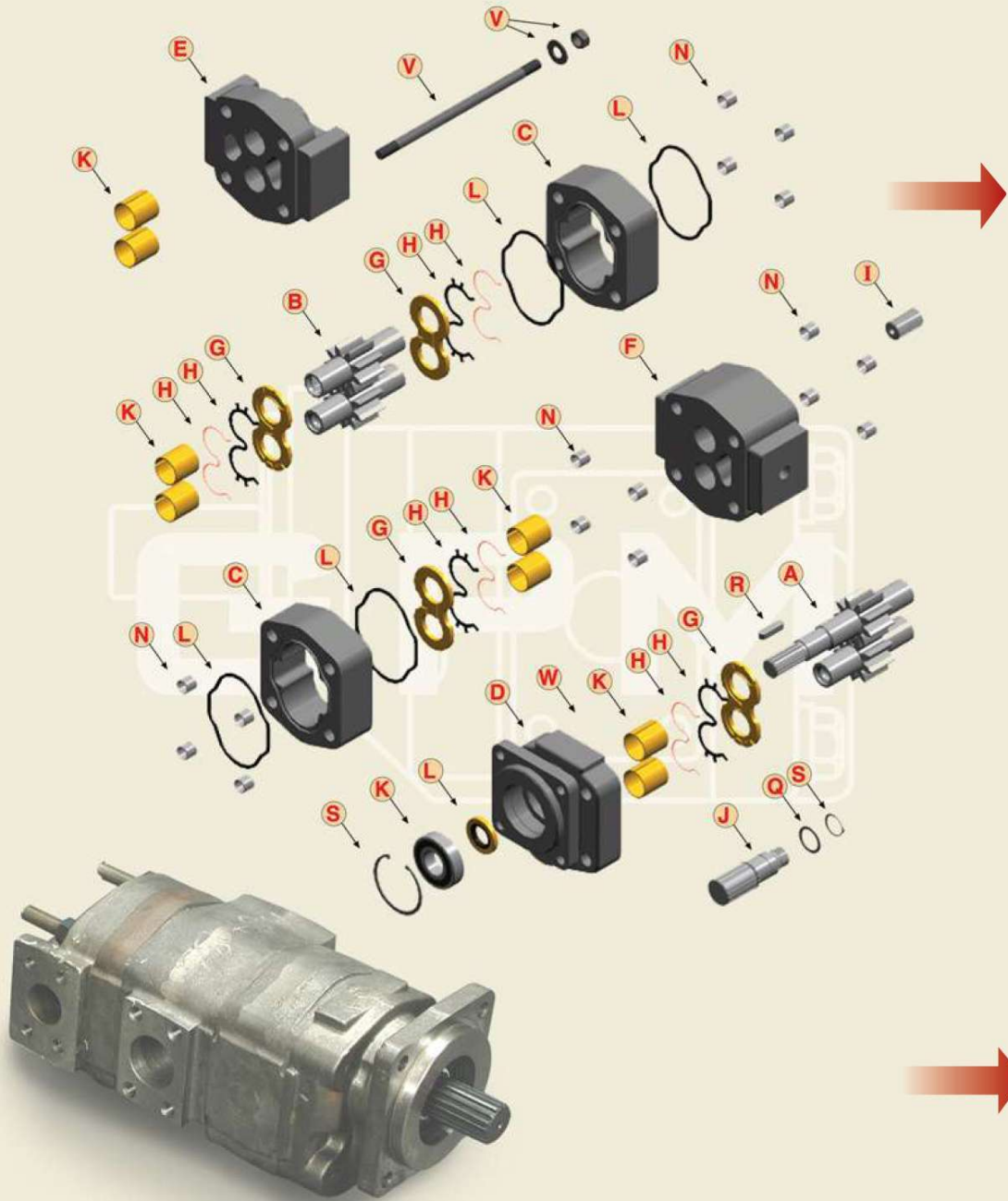
CONTINENTAL GEAR SETS					
B	BMF-250-05 gs	250 Gear Set -05	0335-011-100	250-5305-00	323 2805 000
	BMF-250-07 gs	250 Gear Set -07	0335-012-100	250-5307-00	323 2807 000
	BMF-250-10 gs	250 Gear Set -10	0335-013-100	250-5310-00	323 2810 000
	BMF-250-12 gs	250 Gear Set -12	0335-014-100	250-5312-00	323 2812 000
	BMF-250-15 gs	250 Gear Set -15	0335-015-100	250-5315-00	323 2815 000
	BMF-250-17 gs	250 Gear Set -17	0335-016-100	250-5317-00	323 2817 000
	BMF-250-20 gs	250 Gear Set -20	0335-017-100	250-5320-00	323 2820 000
	BMF-250-22 gs	250 Gear Set -22	0335-018-100	250-5322-00	323 2822 000
	BMF-250-25 gs	250 Gear Set -25	0335-019-100	250-5325-00	323 2825 000

GEAR HOUSINGS					
C	CMH-250-05 hsg	250 Housing -05	0435-005-500	250-2105-00	323 8105 100
	CMH-250-07 hsg	250 Housing -07	0435-007-500	250-2107-00	323 8107 100
	CMH-250-10 hsg	250 Housing -10	0435-010-500	250-2110-00	323 8110 100
	CMH-250-12 hsg	250 Housing -12	0435-012-500	250-2112-00	323 8112 100
	CMH-250-15 hsg	250 Housing -15	0435-015-500	250-2115-00	323 8115 100
	CMH-250-17 hsg	250 Housing -17	0435-017-500	250-2117-00	323 8117 100
	CMH-250-20 hsg	250 Housing -20	0435-020-500	250-2120-00	323 8120 100
	CMH-250-22 hsg	250 Housing -22	0435-022-500	250-2122-00	323 8122 100
	CMH-250-25 hsg	250 Housing -25	0435-025-500	250-2125-00	323 8125 100
	CMH-250-30 hsg	250 Housing -30	0435-029-500	250-2130-00	323 8130 100
	CLF-250-05 motor hsg	250 M Housing -05	0435-070-500	250-2205-00	323 8205 100
	CLF-250-07 motor hsg	250 M Housing -07	0435-071-500	250-2207-00	323 8207 100
	CLF-250-10 motor hsg	250 M Housing -10	0435-072-500	250-2210-00	323 8210 100
	CLF-250-12 motor hsg	250 M Housing -12	0435-073-500	250-2212-00	323 8212 100
	CLF-250-15 motor hsg	250 M Housing -15	0435-074-500	250-2215-00	323 8215 100

CODE	GPM unique no.	Description	Factory No.	Part No.	Reference*
<b>GEAR HOUSINGS</b>					
<b>C</b>	CLF-250-17 motor hsg	250 M Housing -17	0435-075-500	250-2217-00	323 8217 100
	CLF-250-20 motor hsg	250 M Housing -20	0435-076-500	250-2220-00	323 8220 100
	CLF-250-22 motor hsg	250 M Housing -22	0435-077-500	250-2222-00	323 8222 100
	CLF-250-25 motor hsg	250 M Housing -25	0435-078-500	250-2225-00	323 8225 100
<b>SEC - SHAFT END COVERS</b>					
<b>D</b>	DRF-250 2b4* sec	250 SEC 2 Bolt 4" B	0435-042-500	250-1231-10	323 5123 201
	DNF-250 2b5* sec	250 SEC 2 Bolt 5" C	0435-046-500	250-1241-10	323 5123 202
	DDB-250 4" combo sec	250 SEC 2/4 Bolt 4" B	0435-044-500	250-1531-10	323 5153 201
	DDB-250 5" combo sec	250 SEC 2/4 Bolt 5" C	0435-045-500	250-1541-10	323 5153 202
	DDB-250-4 SH 4" sec	151 SEC 2/4 Bolt 4" SAE B short	0435-043-500		
	DHF-250 4b4* sec	250 SEC 4 Bolt 4" B	0435-040-500	250-1331-10	323 5133 201
	DKF-250 4b5* sec	250 SEC 4 Bolt 5" C	0435-041-500	250-1341-10	323 5133 202
	DZF-250 SEC	250 SEC 4 Bolt DIN PTO	0435-047-500		SPECIAL
<b>PEC - PORT END COVERS</b>					
<b>E</b>	EPB-250/215 CCW pec	250 PEC PB 250/215 CCW	0435-116-500	250-4622-20	323 3160 100
	EPB-250/215 CW pec	250 PEC PB 250/215 CW	0435-115-500	250-4622-10	323 3150 100
	EAAP-250 2bA CCW pec	250 PEC 250 2bA CCW	0435-156-500	250-4737-20	323 3164 099
	EAAP-250 2bA CW pec	250 PEC 250 2bA CW	0435-155-500	250-4737-10	323 3154 099
	EAAP-250 2bB CCW pec	250 PEC 250 2bB CCW	0435-158-500	250-4738-20	323 3164 100
	EAAP-250 2bB CW pec	250 PEC 250 2bB CW	0435-157-500	250-4738-10	323 3154 100
	EUF-250-M motor pec	250 PEC Motor	0435-079-500	250-4400-00	323 3120 100
	EWF-250 ported pec	250 PEC Ported	0435-033-500	250-4200-00	323 3110 100
	EZF-250 tandem pec	250 PEC Tandem	0435-031-500	250-4300-00	323 3100 100
	EBI-250-15 BI BODY	250 BI Rotational Body	0435-215-501		SPECIAL
<b>BEARING CARRIERS</b>					
<b>F</b>	FTF-250-1 bc	250 Bearing Carrier 1-1	0435-080-500	250-3100-00	323 7600 100
	FTF-250-2 bc	250 Bearing Carrier 1-2	0435-030-500	250-3200-00	323 7800 100
	FTF-250-M bc	250 Bearing Carrier 1-1 Motor	0435-082-500		323 7700 100
<b>THRUST PLATES</b>					
<b>G</b>	GM-250 motor tp	250 Thrust Plate Motor	0435-037-500	250-8130-00	391 2185 068
	GCI-250 pump tp	250 Thrust Plate Pump	0435-036-500	250-8140-00	391 2185 057
<b>THRUST PLATE SEALS</b>					
<b>H</b>	HCI-250-CSBU tps	250 Thrust Plate B/Up	0435-011-200	250-8731-30	391 2882 139
	HM-250-MSBU tps	250 Thrust Plate M B/Up	0435-014-200	250-8732-70	391 2885 075
	HM-250-MES tps	250 Thrust Plate M Seal E	0435-013-200	250-8732-60	391 2885 074
	HM-250-MSS tps	250 Thrust Plate M Seal S	0435-012-200	250-8732-40	391 2885 073
	HCI-250-CS tps	250 Thrust Plate Seal	0435-010-200	250-8731-20	391 2882 140
<b>CONNECTING SHAFT</b>					
<b>I</b>	IPB-250/215 cs	250 Connecting shaft PB 250/215	0435-110-500	250-7100-40	323 1133 006
	IAAP-250/13spl cs	250 Connecting shaft 250/13spl	0435-151-500	250-7220-00	323 1133 003
	IAAP-250/9spl cs	250 Connecting shaft 250/9spl	0435-150-500	250-7210-00	323 1133 002
	IYF-250 cs	250 Connecting Shaft	0435-001-500	250-7000-00	323 1133 001
<b>CONTINENTAL SHAFTS</b>					
<b>J</b>	JFG-250 15spl cds	250 1" 15 Spl Shaft	0435-060-500	250-6100-53	SPECIAL
	JAC-250 1 1/4" k cds	250 1 1/4" key shaft	0435-086-500		323 1500 502
	JAP-250 14spl cds	250 1 1/4" 14 Spl Shaft	0435-067-500		
	JHH-250 1 1/8" cds	250 1 1/8" Key Shaft	0435-068-500		SPECIAL
	JKE-250 cds	250 1 1/4" Key with 1/2" thread Shaft	0435-069-500		SPECIAL
<b>BEARINGS / BUSHES</b>					
<b>K</b>	KAAP-250/265 brg	250 Bearing 250/265	0435-160-200	250-8021-00	391 0381 099
	KX-151-58 shaft brg	151/250 Shaft Bearing	0450-102-200	151-8020-00	391 0381 077
	KBUSH-250	250 Bush	0435-001-200	250-8000-00	391 0482 308
<b>SEALS</b>					
<b>L</b>	LUB-151-244 bs	125/151 Body Seal	0425-117-200	151-8720-00	391 2884 021
	LX-151-B Motor Seal	151 Shaft Seal Motor 1	0450-101-200		391 2883 115
	LX-151-17 pump seal	151 Shaft Seal Pump	0430-103-200	151-8711-00	391 2883 103
	LX-151V-17 viton seal	151 Viton seal	0450-099-200	151-8711-10	
	LUB-250-244 bs	250 Body seal	0435-117-200	250-8720-00	391 2884 074
<b>RETAINERS</b>					
<b>M</b>	MPA-250 s/retainer tt	250 Seal Retainer Teiltate	0435-081-500	250-8500-00	391 2584 050

CODE	GPM unique no.	Description	Factory No.	Part No.	Reference*	
<b>DOWEL PINS</b>						
<b>N</b>	NDOWEL-131	290 Dowel 131/151/230/250	0425-120-500	XXX-8600-00	391 2082 032	
<b>O-RINGS</b>						
<b>P</b>	PPA-250 tt o-ring	250 O-Ring Telltale	0435-081-200		WET SPLINE	
<b>SPACERS</b>						
<b>Q</b>	QVB/AC-151 spacer	151 Bearing Spacer	0450-039-200	151-8440-00	391 3383 087	
	QVB-151-1 brg spacer	151 Bearing Spacer	0450-039-500	151-8430-01	391 3383 087	
	QAC-151 s/spacer	151 Seal Spacer	0450-040-500	151-8410-00	391 3383 087	
<b>KEYS</b>						
<b>R</b>	RX-113 key	290 Key	0451-010-200	XXX-8920-04	391 1781 020	
	RX-20 key	290 Key .19 x 1.25 .28	0415-140-200	XXX-8920-04	391 1781 027	
	RX-16 key	290 Key 1/4" x 1/4" x 1 1/4"	0425-132-200	XXX-8920-05	391 1781 082	
	RX-18 key	290 Key 1/4" x 1/4" x 1"	0430-123-200	XXX-8920-05	391 1781 085	
	RX-17 key	290 Key 1/4" x 3/8" x 1"	0430-122-200	XXX-8920-02	391 1781 025	
	RX-13 key	290 Key 1/4" x 3/8" x 1 1/4"	0425-130-200	XXX-8920-01	391 1781 021	
	RX-38 key	290 Key 5/16" x 15/32" x 1 1/2"	0425-129-200	XXX-8920-03	391 1781 045	
	RX-19 key	290 Key 5/16" x 5/16" x 1 1/2"	0425-133-200	XXX-8920-06	391 1781 083	
	RX-54 key	290 Key 5/16" x 5/16" x 1 1/4"	0430-124-200	XXX-8920-07	391 1781 007	
	<b>SNAP RINGS</b>					
<b>S</b>	SAAP250/285 snap ring	250 Snap Ring 250/265	0435-161-200	250-8340-00	391 2686 019	
	SX-151-283 snap ring	151 Snap Ring SEC	0450-103-200	151-8310-00	391 2686 065	
	SX-151-125 snap ring	151 Snap Ring Shaft	0450-104-200	151-8320-00	391 2685 040	
<b>BOLTS, STUDS, NUTS &amp; WASHERS</b>						
<b>V</b>	VBOLT 5/8" X 3.75"	290 Bolt 5/8" UNC	0425-151-200	XXX-8212-A3	391 1401	
	VBOLT 5/8" X 4.00"	290 Bolt 5/8" UNC	0425-152-200	XXX-8212-B0	391 1401 463	
	VBOLT 5/8" X 4.25"	290 Bolt 5/8" UNC	0425-160-200	XXX-8212-B1	391 1401 346	
	VBOLT 5/8" X 4.25"	290 Bolt 5/8" UNC	0425-153-200	XXX-8212-B2	391 1401 294	
	VBOLT 5/8" X 4.75"	290 Bolt 5/8" UNC	0425-161-200	XXX-8212-B3	391 1401 341	
	VBOLT 5/8" X 5.00"	290 Bolt 5/8" UNC	0425-154-200	XXX-8212-B0	391 1401 295	
	VBOLT 5/8" X 5.25"	290 Bolt 5/8" UNC	0425-159-200	XXX-8212-C1	391 1401	
	VBOLT 5/8" X 5.50"	290 Bolt 5/8" UNC	0425-155-200	XXX-8212-B2	391 1401 362	
	VBOLT 5/8" X 5.75"	290 Bolt 5/8" UNC	0425-162-200	XXX-8212-C3	391 1401 334	
	VBOLT 5/8" X 6.00"	290 Bolt 5/8" UNC	0425-156-200	XXX-8212-D0	391 1401 405	
	VBOLT 5/8" X 6.25"	290 Bolt 5/8" UNC	0425-166-200	XXX-8212-D1	391 1401	
	VBOLT 5/8" X 6.50"	290 Bolt 5/8" UNC	0425-157-200	XXX-8212-D2	391 1401 363	
	VBOLT 5/8" X 6.75"	290 Bolt 5/8" UNC	0425-163-200	XXX-8212-D3	391 1401 528	
	VBOLT 5/8" X 7.00"	290 Bolt 5/8" UNC	0425-158-200	XXX-8212-E0	391 1401 409	
	VBOLT 5/8" X 8.00"	290 Bolt 5/8" UNC	0425-164-200	XXX-8212-F0	391 1401 473	
	VBOLT 5/8" X 9.00"	290 Bolt 5/8" UNC	0425-165-200	XXX-8212-J0	391 1401 374 1	
	VSTUD 5/8" X 06"-11"	290 Stud 5/8" unc 06"-11"	0484-060-110	XXX-8222-01	SPECIAL	
	VSTUD 5/8" X 11"-16"	290 Stud 5/8" unc 11"-16"	0484-110-160	XXX-8222-02	SPECIAL	
	VSTUD 5/8" X 16"-21"	290 Stud 5/8" unc 16"-21"	0484-160-210	XXX-8222-03	SPECIAL	
	VSTUD 5/8" X 21"-26"	290 Stud 5/8" unc 21"-26"	0484-210-260	XXX-8222-04	SPECIAL	
	VROD 5/8"	290 Tie Rod 5/8" unc	0425-140-200	XXX-8222-00	SPECIAL	
	VWASHER 5/8"	290-131/151/230/250 5/8" washer	0450-177-500	XXX-8242-00	391 3784 028	
	VNUT 5/8"	290 5/8" Nut	0455-176-200	XXX-8230-00	391 1451 076	
	<b>GENERAL</b>					
	<b>W</b>	WM-1391-K check valve	290 Check Valve SEC	0431-001-200	XXX-8820-00	391 3681 001
WT-131-1391 plug		290 Plug SEC	0431-002-200	XXX-8810-00	391 2286 004	





CODE	GPM unique no.	Description	Factory No.	Part No.	Reference*	
<b>INTEGRAL GEAR SETS</b>						
<b>A</b>	AAG-265-07 gs	265 1 1/4" Key Gear Set - 07	0365-031-100		322 2907 750	
	AAG-265-10 gs	265 1 1/4" Key Gear Set -10	0365-032-100	265-5110-15	322 2910 750	
	AAG-265-12 gs	265 1 1/4" Key Gear Set -12	0365-033-100	265-5112-15	322 2912 750	
	AAG-265-13 gs	265 1 1/4" 14 Key Gear Set -13	0365-041-100	265-5113-15	322 2913 750	
	AAG-265-15 gs	265 1 1/4" Key Gear Set -15	0365-034-100	265-5115-15	322 2915 750	
	AAG-265-17 gs	265 1 1/4" Key Gear Set -17	0365-035-100	265-5117-15	322 2917 750	
	AAG-265-20 gs	265 1 1/4" Key Gear Set -20	0365-036-100	265-5120-15	322 2920 750	
	AAG-265-22 gs	265 1 1/4" Key Gear Set -22	0365-037-100	265-5122-15	322 2922 750	
	AAG-265-25 gs	265 1 1/4" Key Gear Set -25	0365-038-100	265-5125-15	322 2925 750	
	AAG-265-27 gs	265 1 1/4" Key Gear Set - 27	0365-039-100		322 2927 750	
	AAG-265-30 gs	265 1 1/4" Key Gear Set - 30	0365-040-100		322 2930 750	
	ABG-265-17 gs	265 7/8" 13 Spl Gear Set -17	0365-065-100		SPECIAL	
	ANG-265-07 gs	265 1 1/4" 14 Spl Gear Set -07	0365-021-100		322 2907 250	
	ANG-265-10 gs	265 1 1/4" 14 Spl Gear Set -10	0365-022-100	265-5110-45	322 2910 250	
	ANG-265-12 gs	265 1 1/4" 14 Spl Gear Set -12	0365-023-100	265-5112-45	322 2912 250	
	ANG-265-13 gs	265 1 1/4" 14 Spl Gear Set -13	0365-042-100	265-5113-45	322 2913 250	
	ANG-265-15 gs	265 1 1/4" 14 Spl Gear Set -15	0365-024-100	265-5115-45	322 2915 250	
	ANG-265-17 gs	265 1 1/4" 14 Spl Gear Set -17	0365-025-100	265-5117-45	322 2917 250	
	ANG-265-17 long gs	265 1 1/4" 14 Spl Gear Set -17 long	0365-055-100	265-5417-45		
	ANG-265-20 gs	265 1 1/4" 14 Spl Gear Set -20	0365-026-100	265-5120-45	322 2920 250	
	ANG-265-22 gs	265 1 1/4" 14 Spl Gear Set -22	0365-027-100	265-5122-45	322 2922 250	
	ANG-265-25 gs	265 1 1/4" 14 Spl Gear Set -25	0365-028-100	265-5125-45	322 2925 250	
	ANG-265-27 gs	265 1 1/4" 14 Spl Gear Set -27	0365-029-100		322 2927 250	
ANG-265-30 gs	265 1 1/4" 14 Spl Gear Set -30	0365-030-100		322 2930 250		
AIR-265-07 gs	265 10 Spl Gear Set-07	0365-091-100	265-5107-67	SPECIAL		
<b>CONTINENTAL GEAR SETS</b>						
<b>B</b>	BPG-265-07 gs	265 Gear Set -07	0365-011-100	265-5307-00	322 2807 000	
	BPG-265-10 gs	265 Gear Set -10	0365-012-100	265-5310-00	322 2810 000	
	BPG-265-12 gs	265 Gear Set -12	0365-013-100	265-5312-00	322 2812 000	
	BPG-265-15 gs	265 Gear Set -15	0365-014-100	265-5315-00	322 2815 000	
	BPG-265-17 gs	265 Gear Set -17	0365-015-100	265-5317-00	322 2817 000	
	BPG-265-20 gs	265 Gear Set -20	0365-016-100	265-5320-00	322 2820 000	
	BPG-265-22 gs	265 Gear Set -22	0365-017-100	265-5322-00	322 2822 000	
	BPG-265-25 gs	265 Gear Set -25	0365-018-100	265-5325-00	322 2825 000	
	BPG-265-27 gs	265 Gear Set -27	0365-019-100		322 2827 000	
	BPG-265-30 gs	265 Gear Set -30	0365-020-100		322 2830 000	
	<b>GEAR HOUSING</b>					
<b>C</b>	CSG-265-07 hsg	265 Housing -07	0465-007-500	265-2107-00	322 8107 100	
	CSG-265-10 hsg	265 Housing -10	0465-010-500	265-2110-00	322 8110 100	
	CSG-265-12 hsg	265 Housing -12	0465-012-500	265-2112-00	322 8112 100	
	CSG-265-15 hsg	265 Housing -15	0465-015-500	265-2115-00	322 8115 100	
	CSG-265-17 hsg	265 Housing -17	0465-017-500	265-2117-00	322 8117 100	
	CSG-265-20 hsg	265 Housing -20	0465-020-500	265-2120-00	322 8120 100	
	CSG-265-22 hsg	265 Housing -22	0465-022-500	265-2122-00	322 8122 100	
	CSG-265-25 hsg	265 Housing -25	0465-025-500	265-2125-00	322 8125 100	
	CSG-265-27 hsg	265 Housing -27	0465-027-500		322 8127 100	
	CSG-265-30 hsg	265 Housing -30	0465-029-500		322 8130 100	
	CLG-265-07 motor hsg	265 M Housing -07	0465-071-500	265-2207-00	322 8207 100	
	CLG-265-10 motor hsg	265 M Housing -10	0465-072-500	265-2210-00	322 8210 100	
	CLG-265-12 motor hsg	265 M Housing -12	0465-073-500	265-2212-00	322 8212 100	
	CLG-265-15 motor hsg	265 M Housing -15	0465-074-500	265-2215-00	322 8215 100	
	CLG-265-17 motor hsg	265 M Housing -17	0465-075-500	265-2217-00	322 8217 100	
	CLG-265-20 motor hsg	265 M Housing -20	0465-076-500	265-2220-00	322 8220 100	
	CLG-265-22 motor hsg	265 M Housing -22	0465-078-500	265-2222-00	322 8222 100	
	CLG-265-25 motor hsg	265 M Housing -25	0465-079-500	265-2225-00	322 8225 100	
	<b>SEC - SHAFT END COVERS</b>					
	<b>D</b>	DRG-265 2b4" sec	265 SEC 2 Bolt 4" B	0465-092-500	265-1231-10	322 5123 201
		DRG-265 2b4" motor sec	265 SEC 2 Bolt 4" B motor	0465-098-500	265-1232-10	322 5123 401
DVG-265 2b5" sec		265 SEC 2 Bolt 5" C	0465-091-500	265-1241-10	322 5123 202	
DVG-265 2b5" motor sec		265 SEC 2 Bolt 5" C motor	0465-097-500	265-1242-10	322 5123 402	
DSG-265 4b4" sec		265 SEC 4 Bolt 4" B	0465-093-500	265-1331-10	322 5133 201	
DSG-265 4b4" motor sec		265 SEC 4 Bolt 4" B motor	0465-099-500	265-1332-10	322 5133 401	
DTG-265 4b5" sec		265 SEC 4 Bolt 5" C	0465-090-500	265-1341-10	322 5133 202	
DTG-265 4b5" motor sec		265 SEC 4 Bolt 5" C motor	0465-096-500	265-1342-10	322 5133 402	

CODE	GPM unique no.	Description	Factory No.	Part No.	Reference*
<b>PEC - PORT END COVERS</b>					
<b>E</b>	EPB-265/230 CCW pec	265 PEC PB 265/230 CCW	0465-116-500	265-4625-20	322 3160 100
	EPB-265/230 CW pec	265 PEC PB 265/230 CW	0465-115-500	265-4625-10	322 3150 100
	EAAP-265 2bA CCW pec	265 PEC 265 2bA CCW	0465-156-500	265-4737-20	322 3164 099
	EAAP-265 2bA CW pec	265 PEC 265 2bA CW	0465-155-500	265-4737-10	322 3154 099
	EAAP-265 2bB CCW pec	265 PEC 265 2bB CCW	0465-158-500	265-4738-20	322 3164 100
	EAAP-265 2bB CW pec	265 PEC 265 2bB CW	0465-157-500	265-4738-10	322 3154 100
	EWG-265-M motor pec	265 PEC Motor	0465-035-500	265-4400-00	322 3120 100
	EWG-265 ported pec	265 PEC Ported	0465-033-500	265-4200-00	322 3110 100
	EYG-265 tandem pec	265 PEC Tandem	0465-034-500	265-4300-00	322 3100 100
	EYG-265-M motor pec	265 PEC Tandem motor	0465-039-500	265-4410-00	322 3100 099
	EBI-265-15 BI BODY	265 BI Rotational Body	0465-215-501		SPECIAL
	<b>BEARING CARRIERS</b>				
<b>F</b>	FZG-265-1 bc	265 Bearing Carrier 1-1	0465-031-500	265-3100-00	322 7600 100
	FZG-265-2 bc	265 Bearing Carrier 1-2	0465-030-500	265-3200-00	322 7800 100
	FZG-265-3 bc	265 Bearing Carrier 3" inlet	0465-032-500	265-3300-00	
	FZG-265-M motor bc	265 Bearing Carrier 1-1 motor	0465-038-500	265-3110-00	322 7700 100
	FZG-265-3W-2BC	SPECIAL	0465-040-500		SPECIAL
<b>THRUST PLATES</b>					
<b>G</b>	GM-265 motor tp	265 Thrust Plate Motor	0465-037-500	265-8130-00	391 2185 060
	GCI-265 pump tp	265 Thrust Plate Pump	0465-036-500	265-8140-00	391 2185 055
<b>THRUST PLATE SEALS</b>					
<b>H</b>	HCI-265-CS tps	265 Thrust Plate Seal	0465-010-200	265-8731-20	391 2883 176
	HCI-265-CSBU tps	265 Thrust Plate B/Up	0465-011-200	265-8731-30	391 2883 177
	HM-265-MSBU tps	265 Thrust Plate M B/Up	0465-014-200	265-8732-70	391 2885 071
	HM-265-MES tps	265 Thrust Plate M Seal E	0465-013-200	265-8732-60	391 2885 070
	HM-265-MSS tps	265 Thrust Plate M Seal S	0465-012-200	265-8732-40	391 2885 069
<b>CONNECTING SHAFT</b>					
<b>I</b>	IPB-265/230 cs	265 Connecting shaft PB 265/230	0465-110-500	265-7100-80	322 1133 002
	IAAP-265/13spl cs	265 Connecting shaft 265/13spl	0465-151-500	265-7220-00	322 1133 004
	IAAP-265/15spl cs	265 Connecting shaft 265/15spl	0465-152-500	265-7240-00	322 1133 009
	IAAP-265/9spl cs	265 Connecting shaft 265/9spl	0465-150-500	265-7210-00	322 1133 003
	IAG-265 cs	265 Connecting Shaft	0465-045-500	265-7000-00	322 1133 001
<b>CONTINENTAL SHAFTS</b>					
<b>J</b>	JKG-265 17spl ods	265 17 Spl Shaft	0465-051-500	265-6400-87	SPECIAL
	JLG-265 1 1/4" key ods	265 1 1/4" Key			322 1500 500
<b>BEARINGS / BUSHES</b>					
<b>K</b>	KAAP-250/265 brg	250 Bearing 250/265	0435-160-200	250-8021-00	391 0381 099
	KX-176-59 shaft brg	176/265 Shaft Bearing	0475-104-200	176-8020-00	391 0381 078
	KBUSH-265	265 Bush	0465-001-200	265-8000-00	391 0482 307
<b>SEALS</b>					
<b>L</b>	LX-176V-10 viton seal	176 Viton seal	0475-099-200	176-8711-10	
	LX-176-1 motor seal	176/265 Shaft Seal Motor I	0475-102-200	176-8713-00	391 2883 094
	LX-176-10 pump seal	176/265 Shaft Seal Pump I	0475-101-200	176-8711-00	391 2883 052
	LUB-265-250 bs	265 Body Seal	0465-107-200	265-8720-00	391 2884 052
<b>RETAINERS</b>					
<b>M</b>	MTT-265 s/retainer tt	265 Seal Retainer Telltale	0465-081-500	265-8500-00	391 2584 097
<b>DOWEL PINS</b>					
<b>N</b>	NDOWEL-265	265 Dowel Hollow	0465-060-500	265-8600-00	391 2082 062
	NDOWEL-265M	265 Dowel Hollow motor	0465-061-500	176-8600-00	391 2082 069
<b>SPACERS</b>					
<b>Q</b>	QVB-176 brg spacer	176 Bearing Spacer	0475-077-500	176-8430-00	391 3383 018
	QAF-176 s/spacer	176 Shaft Spacer	0475-084-500	176-8420-00	391 3381 039



CODE	GPM unique no.	Description	Factory No.	Part No.	Reference*	
<b>KEYS</b>						
<b>R</b>	RX-20 key	290 Key .19 x 1.25 .28	0415-140-200	XXX-8920-04	391 1781 027	
	RX-16 key	290 Key 1/4" x 1/4" x 1 1/4"	0425-132-200	XXX-8920-05	391 1781 082	
	RX-18 key	290 Key 1/4" x 1/4" x 1"	0430-123-200	XXX-8920-05	391 1781 085	
	RX-17 key	290 Key 1/4" x 3/8" x 1"	0430-122-200	XXX-8920-02	391 1781 025	
	RX-13 key	290 Key 1/4" x 3/8" x 1 1/4"	0425-130-200	XXX-8920-01	391 1781 021	
	RX-38 key	290 Key 5/16" x 15/32" x 1 1/2"	0425-129-200	XXX-8920-03	391 1781 045	
	RX-19 key	290 Key 5/16" x 5/16" x 1 1/2"	0425-133-200	XXX-8920-06	391 1781 083	
	RX-54 key	290 Key 5/16" x 5/16" x 1 1/4"	0430-124-200	XXX-8920-07	391 1781 007	
<b>SNAP RINGS</b>						
<b>S</b>	SAAP250/265 snap ring	250 Snap Ring 250/265	0435-161-200	250-8340-00	391 2686 019	
	SX-176-315 snap ring	176 Snap Ring SEC	0475-105-200	176-8310-00	391 2686 025	
	SX-176-137 snap ring	176 Snap Ring Shaft	0475-115-200	176-8320-00	391 2685 029	
	SX-215 snap ring	215 Circlip motor	0415-111-200	215-8310-00	391 2686 016	
<b>BOLTS, STUDS, NUTS AND WASHERS</b>						
<b>V</b>	VWASHER 3/4"	265 3/4" washer motor	0465-177-500	265-8243-00	391 3782 114	
	VBOLT 3/4" X 5.00	265 Motor Bolt 3/4" UNC	0465-149-200	265-8213-C0	391 1401 196	
	VBOLT 3/4" X 5.50	265 Motor Bolt 3/4" UNC	0465-150-200	265-8213-C2	391 1401 197	
	VBOLT 3/4" X 6.00	265 Motor Bolt 3/4" UNC	0465-152-200	265-8213-D0	391 1401 189	
	VBOLT 3/4" X 6.25	265 Motor Bolt 3/4" UNC	0465-153-200	265-8213-D1	391 1401	
	VBOLT 3/4" X 6.50	265 Motor Bolt 3/4" UNC	0465-154-200	265-8213-D2	391 1401 198	
	VBOLT 5/8" X 3.75	290 Bolt 5/8" UNC	0425-151-200	XXX-8212-A3	391 1401	
	VBOLT 5/8" X 4.00	290 Bolt 5/8" UNC	0425-152-200	XXX-8212-B0	391 1401 463	
	VBOLT 5/8" X 4.25	290 Bolt 5/8" UNC	0425-160-200	XXX-8212-B1	391 1401 346	
	VBOLT 5/8" X 4.25	290 Bolt 5/8" UNC	0425-153-200	XXX-8212-B2	391 1401 294	
	VBOLT 5/8" X 4.75	290 Bolt 5/8" UNC	0425-161-200	XXX-8212-B3	391 1401 341	
	VBOLT 5/8" X 5.00	290 Bolt 5/8" UNC	0425-154-200	XXX-8212-B0	391 1401 295	
	VBOLT 5/8" X 5.25	290 Bolt 5/8" UNC	0425-159-200	XXX-8212-C1	391 1401	
	VBOLT 5/8" X 5.50	290 Bolt 5/8" UNC	0425-155-200	XXX-8212-B2	391 1401 362	
	VBOLT 5/8" X 5.75	290 Bolt 5/8" UNC	0425-162-200	XXX-8212-C3	391 1401 334	
	VBOLT 5/8" X 6.00	290 Bolt 5/8" UNC	0425-156-200	XXX-8212-D0	391 1401 405	
	VBOLT 5/8" X 6.25	290 Bolt 5/8" UNC	0425-166-200	XXX-8212-D1	391 1401	
	VBOLT 5/8" X 6.5	290 Bolt 5/8" UNC	0425-157-200	XXX-8212-D2	391 1401 363	
	VBOLT 5/8" X 6.75"	290 Bolt 5/8" UNC	0425-163-200	XXX-8212-D3	391 1401 528	
	VBOLT 5/8" X 7.00"	290 Bolt 5/8" UNC	0425-158-200	XXX-8212-E0	391 1401 409	
	VBOLT 5/8" X 8.00"	290 Bolt 5/8" UNC	0425-164-200	XXX-8212-F0	391 1401 473	
	VBOLT 5/8" X 9.00"	290 Bolt 5/8" UNC	0425-165-200	XXX-8212-J0	391 1401 374	
	VSTUD 5/8" X 06"-11"	290 Stud 5/8" unc 06"-11"	0484-060-110	XXX-8222-01	SPECIAL	
	VSTUD 5/8" X 11"-16"	290 Stud 5/8" unc 11"-16"	0484-110-160	XXX-8222-02	SPECIAL	
	VSTUD 5/8" X 16"-21"	290 Stud 5/8" unc 16"-21"	0484-160-210	XXX-8222-03	SPECIAL	
	VSTUD 5/8" X 21"-26"	290 Stud 5/8" unc 21"-26"	0484-210-260	XXX-8222-04	SPECIAL	
	VROD 5/8"	290 Tie Rod 5/8" unc	0425-140-200	XXX-8222-00	SPECIAL	
	VWASHER 5/8"	290-1131/151/230/250 5/8" washer	0455-177-500	XXX-8242-00	391 3784 028	
	VNUT 5/8"	290-5/8" Nut	0455-176-200	XXX-8230-00	391 1451 076	
	<b>GENERAL</b>					
	<b>W</b>	WM-1391-K check valve	290 Check Valve SEC	0431-001-200	XXX-8820-00	391 3681 001
		WT-131-1391 plug	290 Plug SEC	0431-002-200	XXX-8810-00	391 2286 004

# Pump Identification

## EXTERNAL - PORT END COVER VIEW

Measurements in Millimeters	120	131	125	151	176	215	230	250	265
 A B	127.00	122.20	128.50	128.50					
	80.00	90.40	90.40	90.40					
 A	120.00	125.00		130.00	155.70				
 A B						115.00	184.00	194.00	196.00
						60.00	90.50	90.00	108.00

## EXTERNAL - SHAFT END COVER VIEW

	120	131	125	151	176	215	230	250	265
SHAFT BEARING OD	52.00	52.00		68.50	80.00		52.00	68.50	80.00
SCREW IN RETAINER		X							

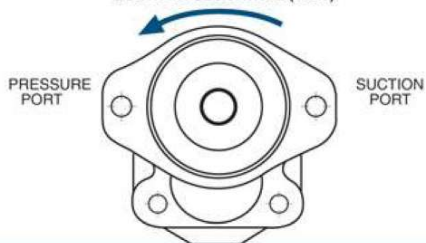
## INTERNAL

	120	131	125	151	176	215	230	250	265
DOWEL PINS		X		X	X	X	X	X	X
GEAR DIAMETER	53.30	53.30	60.83	60.83	76.10	44.50	53.30	60.83	76.10
ROLLER BEARING									
OD	43.00	43.00	49.00	49.00	59.00				
ID	27.00	27.00	32.00	32.00	38.10				
BUSH									
OD					27.10	30.30	37.00	42.30	
ID					24.30	27.40	33.20	38.50	

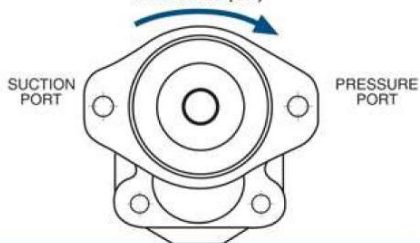
## ROTATION

TO DETERMINE ROTATION VIEW PUMP AS SHOWN. LOOK AT SHAFT END COVER OF PUMP WITH THE DRIVE SHAFT AT THE TOP. NOTE THE LOCATION OF THE PORTS.

COUNTER CLOCKWISE (CCW)



CLOCKWISE (CW)





# Porting

## BEARING PUMP PORTING SUITABILITY

	05		07			10			12			15			17		
	1 1/4"	1 3/4"	1 1/2"	1 1/2"	1 3/4"	1 3/4"	1 3/4"	2"	2"	2"	2 1/4"	2 1/4"	2 1/4"	2 1/2"	2 1/2"	2 1/2"	2 3/4"
	131	151	131	151	176	131	151	176	131	151	176	131	151	176	131	151	176
<b>SFU / SFM</b>																	
1/2"	X	X	X	X		X	X										
3/4"				X		X	X	X	X	X							
1"					X	X	X	X	X	X	X	X	X	X	X	X	X
1 1/4"								X	X	X							
1 1/2"									X	X	X	X	X	X	X	X	X
2"											X	X	X	X	X	X	X
2 1/2"																	X
<b>ODT</b>																	
1/2"	X	X	X	X	X	X	X	X	X	X		X	X			X	X
3/4"					X	X	X	X	X	X		X	X			X	X
7/8"					X	X	X	X	X	X	X	X	X			X	X
1"					X	X	X	X	X	X	X	X	X	X	X	X	X
1 1/4"								X			X	X	X	X	X	X	X
1 1/2"											X	X	X	X	X	X	X
<b>NPT</b>																	
1/2"			X	X	X	X	X	X	X	X		X	X		X	X	
3/4"						X	X	X	X	X		X	X		X	X	
1"						X	X	X	X	X	X	X	X		X	X	X
1 1/4"								X	X	X		X	X	X	X	X	X
1 1/2"											X	X	X	X	X	X	X
<b>BSP</b>																	
1/2"			X	X	X	X	X	X	X	X		X	X		X	X	
3/4"						X	X	X	X	X		X	X		X	X	
1"						X	X	X	X	X	X	X	X		X	X	
1 1/4"								X			X	X	X	X	X	X	X
1 1/2"											X	X	X	X	X	X	X

	20			22			25			27	30	BEARING CARRIER	BEARING CARRIER	PEC	PEC 4 PORT
	2 3/4"	2 3/4"	3"	3"	3"	3 1/4"	3 1/4"	3 1/4"	3 1/2"	3 3/4"	4"	151	176		
	131	151	176	131	151	176	131	151	176	176	176				
<b>SFU / SFM</b>															
1/2"												X	X		
3/4"											X	X	X		
1"	X	X	X								X	X	X		
1 1/4"	X	X	X	X	X	X	X	X	X	X	X	X	X		
1 1/2"	X	X	X	X	X	X	X	X	X	X	X	X	X		
2"	X	X	X	X	X	X	X	X	X	X	X	X	X		
2 1/2"			X												
<b>ODT</b>															
1/2"												X	X	X	X
3/4"	X	X										X	X	X	X
7/8"												X	X	X	X
1"	X	X	X									X	X	X	X
1 1/4"	X	X	X	X	X							X	X	X	X
1 1/2"	X	X	X	X	X	X	X					X	X	X	X
<b>NPT</b>															
1/2"												X	X	X	X
3/4"	X	X										X	X	X	X
1"	X	X		X	X							X	X	X	X
1 1/4"	X	X		X	X	X	X					X	X	X	X
1 1/2"	X	X		X	X	X	X					X	X	X	X
<b>BSP</b>															
1/2"												X	X	X	X
3/4"	X	X										X	X	X	X
1"	X	X		X	X							X	X	X	X
1 1/4"	X	X		X	X	X	X					X	X	X	X
1 1/2"	X	X		X	X	X	X					X	X	X	X



# Porting

## BUSHING INLET PUMP PORTING SUITABILITY

	BEARING CARRIER 1 INLET 1 OUTLET				BEARING CARRIER 1 INLET 2 OUTLET				PORT END COVER - PUMP				PORT END COVER - MOTOR			
	215	230	250	265	215	230	250	265	215	230	250	265	215	230	250	265
<b>SFU / SFM</b> 	1/2"	X	X	X	X	X	X	X	X	X	X	X	X	X	X	X
	3/4"	X	X	X	X	X	X	X	X	X	X	X	X	X	X	X
	1"	X	X	X	X	X	X	X	X	X	X	X	X	X	X	X
	1 1/4"	X	X	X	X	X	X	X	X	X	X	X	X	X	X	X
	1 1/2"	X	X	X	X	X	X	X	X	X	X	X	X	X	X	X
	2"	X	X	X	X	X	X	X	X	X	X	X	X	X	X	X
<b>ODT</b> 	1/2"	X	X	X	X	X	X	X	X	X	X	X	X	X	X	X
	3/4"	X	X	X	X	X	X	X	X	X	X	X	X	X	X	X
	7/8"	X	X	X	X	X	X	X	X	X	X	X	X	X	X	X
	1"	X	X	X	X	X	X	X	X	X	X	X	X	X	X	X
	1 1/4"	X	X	X	X	X	X	X	X	X	X	X	X	X	X	X
	1 1/2"	X	X	X	X	X	X	X	X	X	X	X	X	X	X	X
<b>NPT</b> 	1/2"	X	X	X	X	X	X	X	X	X	X	X	X	X	X	X
	3/4"	X	X	X	X	X	X	X	X	X	X	X	X	X	X	X
	1"	X	X	X	X	X	X	X	X	X	X	X	X	X	X	X
	1 1/4"	X	X	X	X	X	X	X	X	X	X	X	X	X	X	X
	1 1/2"	X	X	X	X	X	X	X	X	X	X	X	X	X	X	X
	2"	X	X	X	X	X	X	X	X	X	X	X	X	X	X	X
<b>BSP</b> 	1/2"	X	X	X	X	X	X	X	X	X	X	X	X	X	X	X
	3/4"	X	X	X	X	X	X	X	X	X	X	X	X	X	X	X
	1"	X	X	X	X	X	X	X	X	X	X	X	X	X	X	X
	1 1/4"	X	X	X	X	X	X	X	X	X	X	X	X	X	X	X
	1 1/2"	X	X	X	X	X	X	X	X	X	X	X	X	X	X	X
	2"	X	X	X	X	X	X	X	X	X	X	X	X	X	X	X

X - FOR INLET ONLY

## PORT IDENTIFICATION

	PORT ID MM	A MM	B MM	PORT HOLE THREAD	BOLT HOLE THREAD (UNC)	BOLT HOLE THREAD (METRIC)
<b>SFU / SFM</b> 	1/2"	12.70	38.10	17.46	3/16" X 18	M8 X 1.25
	3/4"	19.05	47.63	22.22	3/8" X 16	M10 X 1.5
	1"	25.40	52.39	26.19	3/8" X 16	M10 X 1.5
	1 1/4"	31.75	58.75	30.16	7/16" X 14	M10 X 1.5
	1 1/2"	38.10	69.85	35.72	1/2" X 13	M12 X 1.75
	2"	50.80	77.79	42.86	1/2" X 13	M12 X 1.75
	2 1/2"	63.50	88.90	50.80	1/2" X 13	M12 X 1.75
<b>ODT</b> 	1/2"	17.50			3/4" X 16 UNF	
	3/4"	25.40			1 1/16" X 12 UNF	
	7/8"	28.00			1 3/16" X 12 UNF	
	1"	31.00			1 5/16" X 12 UNF	
	1 1/4"	39.00			1 5/8" X 12 UNF	
	1 1/2"	45.50			1 7/8" X 12 UNF	
<b>NPT</b> 	1/2"	18.50			1/2" X 14 NPT	
	3/4"	23.50			3/4" X 14 NPT	
	1"	29.50			1" X 11.5 NPT	
	1 1/4"	38.10			1 1/4" X 11.5 NPT	
	1 1/2"	44.10			1 1/2" X 11.5 NPT	
<b>BSP</b> 	1/2"	18.50			1/2" X 14 BSPP	
	3/4"	23.50			3/4" X 14 BSPP	
	1"	29.50			1" X 11 BSPP	
	1 1/4"	38.10			1 1/4" X 11 BSPP	
	1 1/2"	44.10			1 1/2" X 11 BSPP	
	2"	57.00			2" X 11 BSPP	

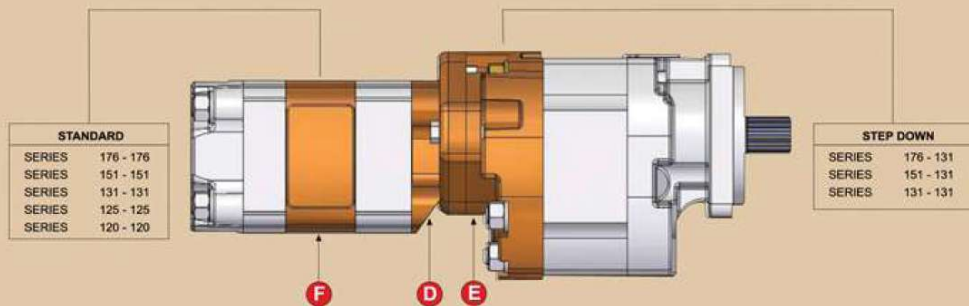
## PORTING ABBREVIATIONS

- NPT** - National Pipe Thread Tapered
- ODT** - SAE Straight Thread (JIC)
- SFU** - Split Flange (UNC)
- SFM** - Split Flange (Metric)
- BSP** - British Standard Pipe

# BEARING RANGE - Torque Settings

## PUMPS, MOTORS AND FLOWDIVIDERS

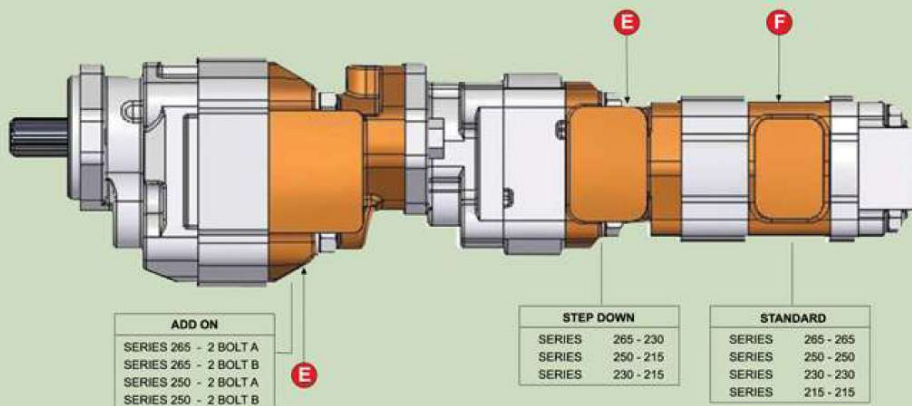
Model	Thread	Bolt/Stud Grade	Nm	Kpm	FT-LBS	IN-LBS
GP120	9/16" UNC	8	244	25	180	2160
GM120	9/16" UNC	8	244	25	180	2160
GP125	5/8" UNC	8	271	27.5	200	2400
GM125	5/8" UNC	8	271	27.5	200	2400
GP131	5/8" UNC	8	271	27.5	200	2400
GM131	5/8" UNC	8	271	27.5	200	2400
GF131	5/8" UNC	8	271	27.5	200	2400
GP151	5/8" UNC	8	271	27.5	200	2400
GM151	5/8" UNC	8 </td <td>271</td> <td>27.5</td> <td>200</td> <td>2400</td>	271	27.5	200	2400
GF151	5/8" UNC	8	271	27.5	200	2400
GP176	5/8" UNC	8	271	27.5	200	2400
GM176	5/8" UNC	8	271	27.5	200	2400
GF176	5/8" UNC	8	271	27.5	200	2400
<b>Add on units</b>						
GP131/131	1/2" UNC	5	68	7	50	600
GP151/131	1/2" UNC	5	68	7	50	600
GP151/151	1/2" UNC	5	68	7	50	600
GP176/131	5/8" UNC	5	113	11.5	83	1000



# BUSHING RANGE - Torque Settings

## PUMPS, MOTORS AND FLOWDIVIDERS

Model	Thread	Bolt/Stud Grade	Nm	Kpm	FT-LBS	IN-LBS
GP215	1/2" UNC	8	192	19.5	110	1700
GM215	1/2" UNC	8	192	19.5	110	1700
GF215	1/2" UNC	8	192	19.5	110	1700
GP230	5/8" UNC	8	271	27.5	200	2400
GM230	5/8" UNC	8	271	27.5	200	2400
GF230	5/8" UNC	8	271	27.5	200	2400
GP250	5/8" UNC	8	271	27.5	200	2400
GM250	5/8" UNC	8	271	27.5	200	2400
GF250	5/8" UNC	8	271	27.5	200	2400
GP265	5/8" UNC	8	271	27.5	200	2400
GM265	3/4" UNC	8	609	62	450	5400
GF265	3/4" UNC	8	609	62	450	5400
<b>Add on units</b>						
GP230AAP	1/2" UNC	5	68	7	50	600
GP250AAP	1/2" UNC	5	68	7	50	600
GP265AAP	1/2" UNC	5	68	7	50	600



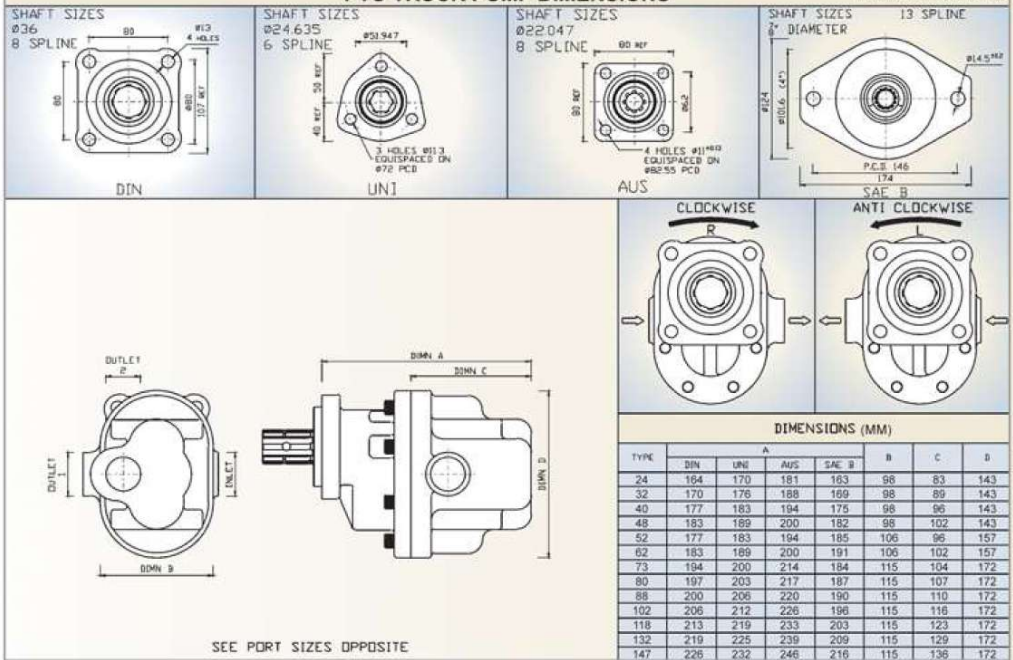




# PTO Truck Pumps

## PTO TRUCK PUMP DIMENSIONS

Manufactured in South Africa



- Working Pressure up to 300 BAR
- Heavy Duty Bushing Design

- High Strength Steel Gears
- Pressure Balanced Thrust Plates

- Quality Compacted Graphite Bodies
- Interchangeable Parts

## PTO TRUCK RANGE

CODE

Manufactured in South Africa

	07	10	12	13	15	17	20	22	25
<b>FRAME GP230</b>									
<b>PART NUMBER</b>	GP3-024	GP3-032	GP3-040		GP3-048				
GEAR SIZE (IN)	0.75	1.00	1.25		1.50				
DISPLACEMENT (CM <sup>3</sup> /REV)	24	32	40		48				
PRESSURE (BAR)	300	300	300		300				
INLET PORT (BSPP)	1.00	1.00	1.00		1.00				
OUTLET PORT (BSPP x 2)	0.75	0.75	0.75		0.75				
WEIGHT (KG) - UNI / DIN	8.0 / 9.0	8.5 / 9.5	9.0 / 10.0		9.0 / 10.0				

<b>FRAME GP250</b>									
<b>PART NUMBER</b>			GP3-052		GP3-062				
GEAR SIZE (IN)			1.25		1.50				
DISPLACEMENT (CM <sup>3</sup> /REV)			52		62				
PRESSURE (BAR)			300		300				
INLET PORT (BSPP)			1.00		1.00				
OUTLET PORT (BSPP x 2)			1.00		1.00				
WEIGHT (KG) - UNI / DIN			9.5 / 10.5		10.5 / 11.5				

<b>FRAME GP265</b>									
<b>PART NUMBER</b>			GP3-073	GP3-080	GP3-088	GP3-102	GP3-118	GP3-132	GP3-147
GEAR SIZE (IN)			1.25	1.38	1.50	1.75	2.00	2.25	2.50
DISPLACEMENT (CM <sup>3</sup> /REV)			73	80	88	102	118	132	147
PRESSURE (BAR)			270	270	270	240	240	220	200
INLET PORT (BSPP)			1.25	1.25	1.25	1.25	1.25	1.50	1.50
OUTLET PORT (BSPP x 2)			1.00	1.00	1.00	1.00	1.00	1.00	1.00
WEIGHT (KG) - UNI / DIN			13.0 / 14.0	13.5 / 14.5	14.0 / 16.0	14.0 / 16.0	14.5 / 16.5	15.0 / 16.5	15.5 / 16.5

THE ABOVE DATA ARE AVERAGE RESULTS BASED ON A SERIES OF TESTS AND ARE NOT NECESSARILY REPRESENTATIVE OF ANY SINGLE UNIT. GEAR PUMP MANUFACTURING RESERVES THE RIGHT TO AMEND THE TECHNICAL DATA WITHOUT NOTICE.



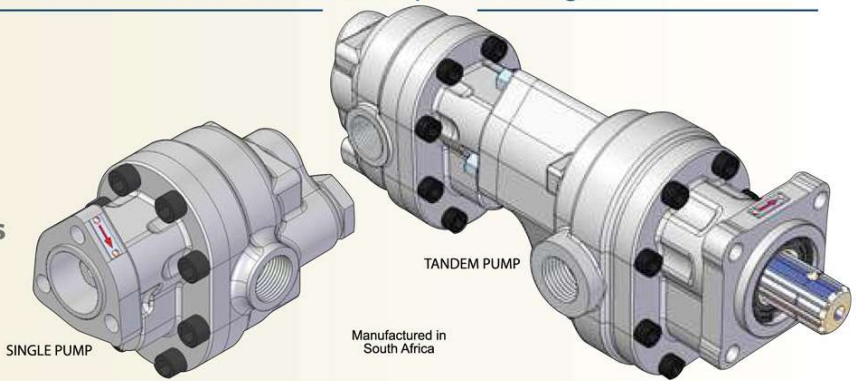
All product listed herein is product manufactured and/or supplied by Gear Pump Manufacturing (Pty) Limited (GPM), a South African manufacturer and supplier of replacement parts and components.  
 "Commercial Intertech" is a registered trademark or copyright of the Parker Hannifin Corporation (Parker). Any reference to this entity, it's trademark, copyright, product or reference number, is for product comparison and reference purposes only and as such, any referral thereto, should not be construed as implying in any way that Parker product is manufactured or supplied by GPM or that GPM is in any way associated with Parker.

Copyright © 2016 Gear Pump Manufacturing (Pty) Limited. All Rights Reserved. No part of this document may be reproduced in any form or manner without permission.



# PTO Gear Pump Range

## Pump Specifications



SINGLE PUMP

TANDEM PUMP

Manufactured in South Africa

### GP3

SINGLE & BI PUMPS

	cc/rev	Lpm (at 1000rpm)	cu in (cu in/rev)	Max Pressure ( bar )	Max Pressure ( psi )	Max Speed (rpm)	Pump Weight (kg)
024 / 024 BI	24.10	24.10	1.48	300	4300	3000	9.20
032 / 032 BI	32.20	32.20	1.97	300	4300	3000	9.75
040 / 040 BI	40.30	40.30	2.46	300	4300	3000	10.00
048 / 048 BI	48.30	48.30	2.96	300	4300	3000	10.65
052 / 052 BI	52.10	52.10	3.19	300	4300	2400	11.25
062 / 062 BI	62.60	62.60	3.82	300	4300	2400	11.85
073 / 073 BI	73.50	73.50	4.49	270	3900	2400	15.00
080 / 080 BI	80.60	80.60	4.92	270	3900	2400	15.15
088 / 088 BI	88.00	88.00	5.37	270	3900	2400	15.25
102 -	102.00	102.00	6.22	240	3500	2400	15.90
118 -	118.00	118.00	7.20	240	3500	2400	16.25
132 -	132.60	132.60	8.09	220	3200	2400	16.30
147 -	147.00	147.00	8.97	200	3000	2400	17.30

### GP3T

TANDEM PUMP

	cc/rev	Lpm (at 1000rpm)	cu in (cu in/rev)	Max Pressure ( bar )	Max Pressure ( psi )	Max Speed (rpm)	Pump Weight (kg)
052	52.10	52.10	3.19	300	4300	2400	12.90
062	62.60	62.60	3.82	300	4300	2400	13.65
073	73.50	73.50	4.49	270	3900	2400	16.10
080	80.60	80.60	4.92	270	3900	2400	16.55
088	88.00	88.00	5.37	270	3900	2400	16.80

THE ABOVE DATA ARE AVERAGE RESULTS BASED ON A SERIES OF TESTS AND ARE NOT NECESSARILY REPRESENTATIVE OF ANY SINGLE UNIT. GEAR PUMP MANUFACTURING RESERVES THE RIGHT TO AMEND THE TECHNICAL DATA WITHOUT NOTICE.

**SINGLE PUMP ORDER CODES - EXAMPLE:**

GP3 - 080 - D - R

SERIES      SIZE      MOUNT      ROTATION

024  
032  
040  
048  
052  
062  
073  
080  
088  
102  
118  
132  
147

D (DIN 4 bolt)  
U (UNI 3 bolt)  
S (SAE B 2 bolt)  
A (AUS 4 bolt)

L (Left hand / Counterclockwise)  
R (Right hand / Clockwise)

**TANDEM PUMP ORDER CODES - EXAMPLE:**

GP3T - 080 - 032 - D - R

SERIES      FRONT SIZE      REAR SIZE      MOUNT      ROTATION

052  
062  
073  
080  
088

024  
032  
040  
048  
052  
062  
073  
080

D (DIN 4 bolt)

L (Left hand / Counterclockwise)  
R (Right hand / Clockwise)

Useful Formulae	To Convert	Inches	Bar	Cu in/rev	US GPM	US GPM	kg
	Into	Millimeters	Psi	cc/rev	Cu In/rev	cc/rev	lbs
	Multiply by	25.4	14.5	16.39	2.31	3.785	2.205

# PTO Truck Pumps

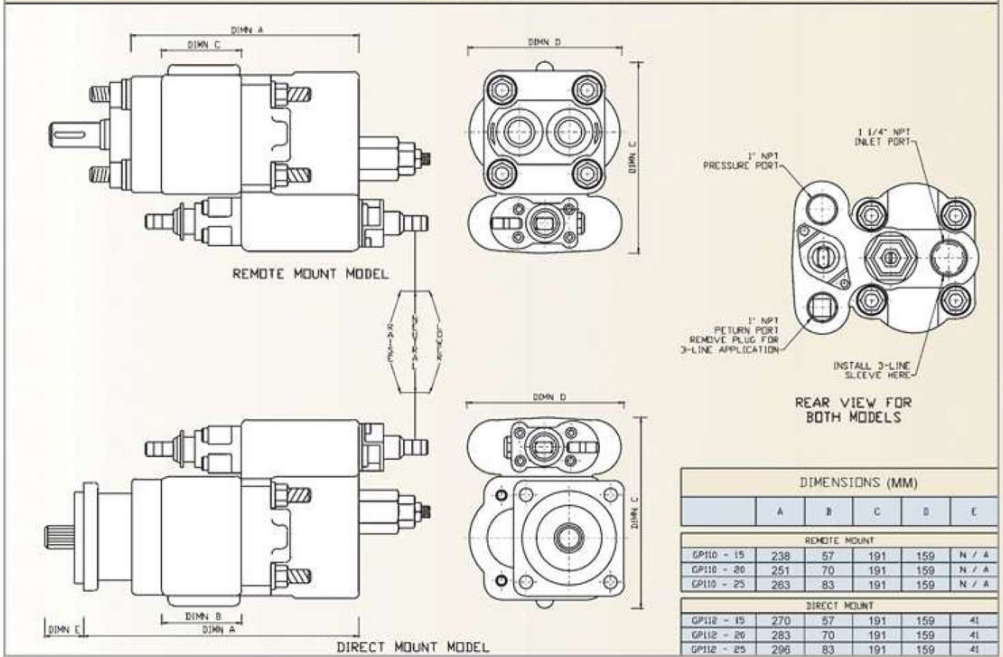




# Dump Pumps

## \* DUMP PUMP DIMENSIONS

Manufactured in South Africa



DIMENSIONS (MM)					
	A	B	C	D	E
REMOTE MOUNT					
GP10 - 15	238	57	191	159	N / A
GP10 - 20	251	70	191	159	N / A
GP10 - 25	263	83	191	159	N / A
DIRECT MOUNT					
GP12 - 15	270	57	191	159	41
GP12 - 20	283	70	191	159	41
GP12 - 25	296	83	191	159	41

## \* DUMP PUMP RANGE

CODE Manufactured in South Africa

	15	20	22	25
<b>REMOTE MOUNT / TWIN SHAFT - mounting bracket optional</b>				
<b>PART NUMBER</b>	GP110-15	GP110-20		GP110-25
GEAR SIZE (IN)	1.50	2.00		2.50
DISPLACEMENT (CM <sup>3</sup> /REV)	62.6	83.5		104.4
PRESSURE (BAR)	172	172		172
INLET PORT (NPT)	1.25	1.25		1.25
OUTLET PORT (NPT)	1.00	1.00		1.00
WEIGHT (KG)	27.5	28.5		29.5

	15	20	22	25
<b>DIRECT MOUNT SAE B/13 SPLINE</b>				
<b>PART NUMBER</b>	GP112-15	GP112-20		GP112-25
GEAR SIZE (IN)	1.50	2.00		2.50
DISPLACEMENT (CM <sup>3</sup> /REV)	62.6	83.5		104.4
PRESSURE (BAR)	172	172		172
INLET PORT (NPT)	1.25	1.25		1.25
OUTLET PORT (NPT)	1.00	1.00		1.00
WEIGHT (KG)	29	30		31

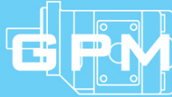
	15	20	22	25
<b>PAD MOUNT / TWIN SHAFT</b>				
<b>PART NUMBER</b>		GP113-20	GP113-22	GP113-25
GEAR SIZE (IN)		2.00	2.25	2.50
DISPLACEMENT (CM <sup>3</sup> /REV)		83.5	94.0	104.4
PRESSURE (BAR)		172	172	172
INLET PORT (NPT)		1.50	1.50	1.50
OUTLET PORT (ODT)		0.75	0.75	0.75
WEIGHT (KG)		20.5	21.5	22.5

THE ABOVE DATA ARE AVERAGE RESULTS BASED ON A SERIES OF TESTS AND ARE NOT NECESSARILY REPRESENTATIVE OF ANY SINGLE UNIT. GEAR PUMP MANUFACTURING RESERVES THE RIGHT TO AMEND THE TECHNICAL DATA WITHOUT NOTICE.

Type	Series	Displacement	Code	Shift Options	Rotation
GP	110	15		S	L
		20		M	R
	113	22		A	B
		25			

GP = pump	110 = remote mount	15 = 62.6	S = standard	L = counterclock
	112 = direct mount	20 = 83.5	M = manual	R = clock
	113 = pad mount	22 = 94.0	A = air	B = bi rotation
		25 = 104.4		

Example : GP112-25-M-L



## GEAR PUMP MANUFACTURING

Manufacturing Plant (Cape Town)

15 Moody Ave, Epping 1, Cape Town, South Africa

Tel: +27 (0) 21 531 9330

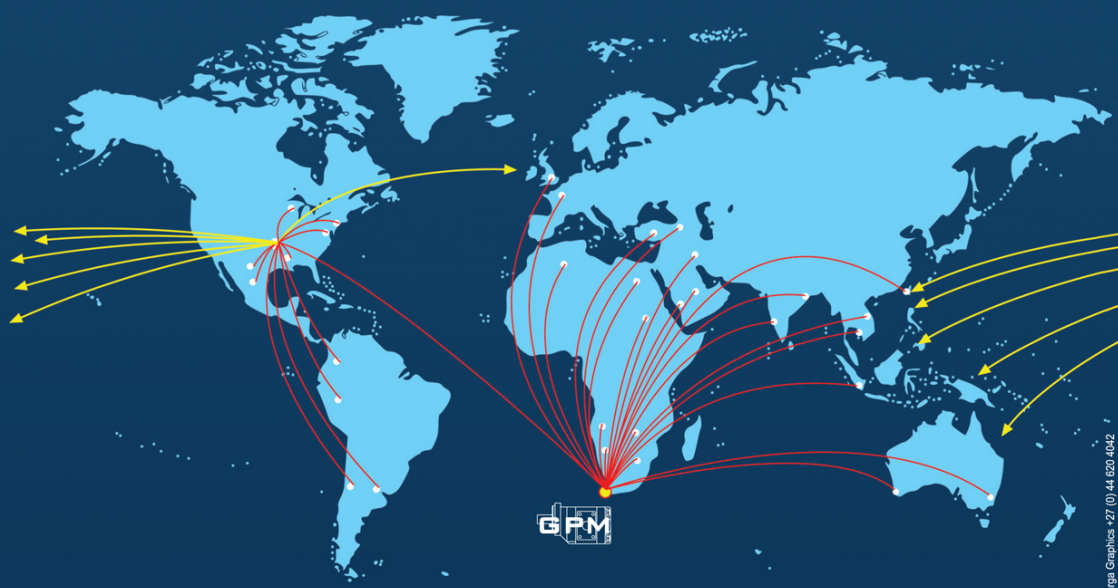
Fax: +27 (0) 21 531 7096

SALES: [sales@gearpumps.co.za](mailto:sales@gearpumps.co.za)

TECHNICAL: [technical@gearpumps.co.za](mailto:technical@gearpumps.co.za)

Website: [www.gearpumps.co.za](http://www.gearpumps.co.za)

USA Warehouse: [www.gearpumpus.com](http://www.gearpumpus.com)



**SABS**  
ISO 9001

Manufactured in South Africa

A DIVISION OF HUDACO TRADING (PTY) LTD