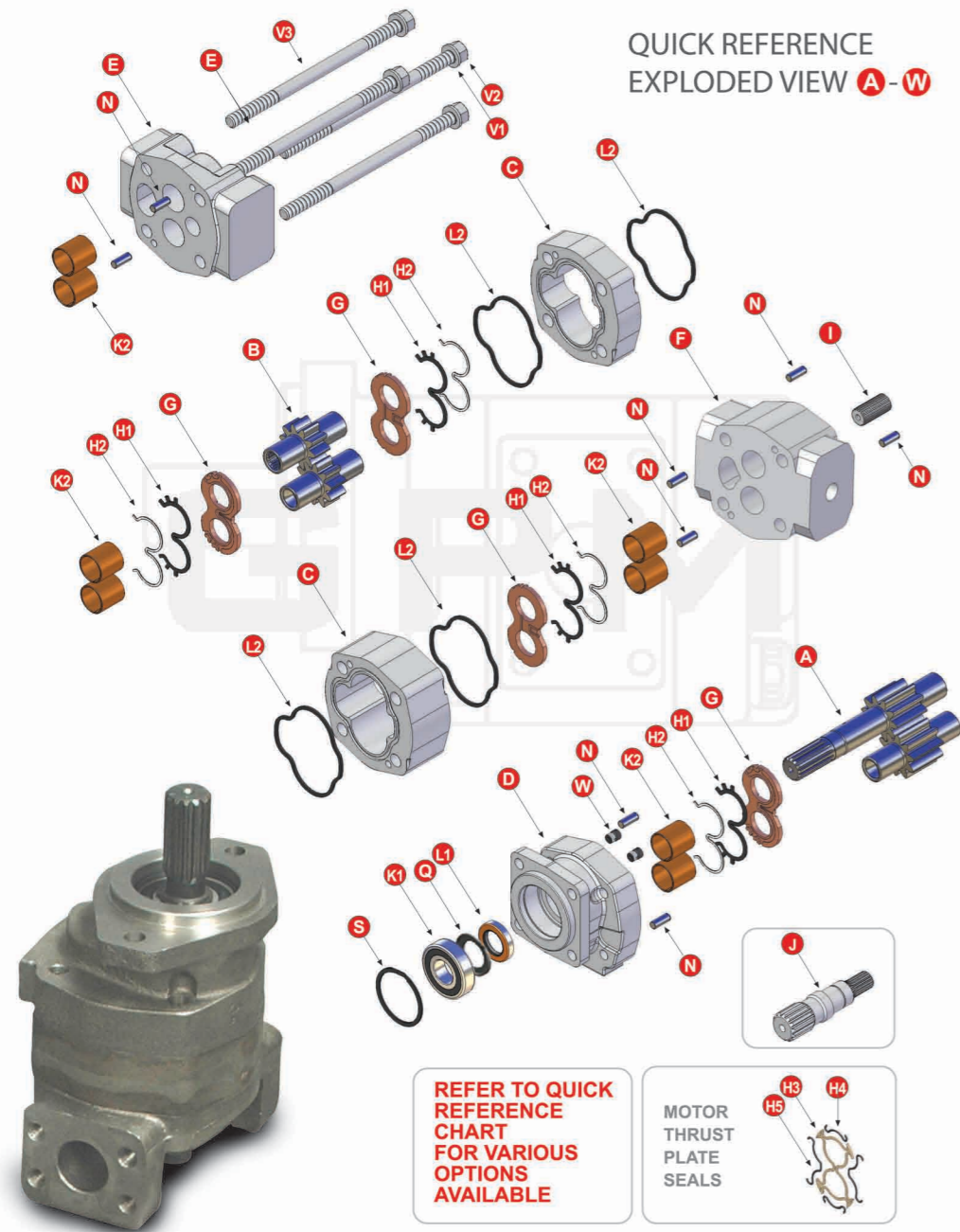


Bushing Range

Bushing Range

Bushing Range



QUICK REFERENCE EXPLODED VIEW A-W

REFER TO QUICK REFERENCE CHART FOR VARIOUS OPTIONS AVAILABLE

MOTOR THRUST PLATE SEALS

QUICK REFERENCE - Parts list A to G

| | 215 | 230 | 250 | 265 |
|--|-------------|-----------------|-----------------|-----------------|
| SOLID SHAFT GEAR SET | | | | |
| 7/8" KEY SAE B | | ADC-230-?? | | |
| 7/8" KEY SHORT SAE B | ADK-215-?? | | | |
| 1" KEY SAE BB | | AEC-230-?? | ATF-250-?? | |
| 1 1/8" KEY (JCB) | | AHC-230-?? | | |
| 1 5/16" KEY with 7/8" UNF thread | | ATH-230-?? | | |
| 1 1/4" KEY SAE C | | | ASF-250-?? | AAG-265-?? |
| 22 MM KEY METRIC | AAO-215-?? | | | |
| 9 SPLINE 5/8" SHORT SAE A | AZK-215-?? | | | |
| 10 SPLINE 30mm OD | | | | AIR-265-?? |
| 11 SPLINE 3/4" | AGK-215-?? | | | |
| 13 SPLINE 7/8" SAE B | | ABC-230-?? | AVF-250-?? | ABG-265-?? |
| 13 SPLINE 7/8" SHORT SAE B | ABK-215-?? | ABC-230-4-?? | | |
| 13 SPLINE 7/8" XTRA SHORT (FORD) SAE B | | AFD-230-?? | | |
| 14 SPLINE 1 1/4" SAE C | | | APF-250-?? | ANG-265-?? |
| 14 SPLINE 1 1/4" SAE C LONG | | | | ANG-265-L-?? |
| 14 SPLINE (CLARK) 1 1/4" | | | ACL-250-?? | |
| 15 SPLINE 1" SAE BB | AAK-215-?? | AAC-230-?? | AAF-250-?? | |
| 17 SPLINE 1 1/8" (CASE) | | | ACF-250-?? | |
| TAPER (FORD) | AFR-215-?? | | | |
| TAPER 1:8 (GROUP 3) | AEK-215-?? | | | |
| TAPER 1:5 | ATK-215-?? | | | |
| FORD | | | | |
| LUBE PUMP - DOSCO SPL | ASK-215-?? | AFD-230-?? | | |
| LOOSE GEAR SETS | | | | |
| STANDARD | BVK-215-?? | BVC-230-?? | BMF-250-?? | BPG-265-?? |
| GEAR HOUSINGS | | | | |
| PUMP | CRK-215-?? | CRC-230-?? | CMH-250-?? | CSG-265-?? |
| MOTOR | CLK-215-?? | CSC-230-?? | CLF-250-?? | CLG-265-?? |
| SHAFT END COVERS | | | | |
| 2 BOLT 3.25" SAE A | DWK-215 | DWC-230 | | |
| 2 BOLT 3.25" SAE A WITH S/RETAINER | DWK-215-SPL | | | |
| 2 BOLT 3.25" SAE A MOTOR | DWK-215-M | | | |
| 2 BOLT 4" SAE B | DGK-215 | DGC-230 | DRF-250 | DRG-265 |
| 2 BOLT 4" SAE B MOTOR | DGK-215-M | | | DRG-265-M |
| 2 BOLT 4" SAE B SHORT | | DGC-230-SH | | |
| 2 BOLT 4" XTRA SHORT (FORD) | | DFD-230 | | |
| 2 BOLT 5" SAE C | | DNC-230 | DNF-250 | DVG-265 |
| 2 BOLT 5" SAE C MOTOR | | | | DVG-265-M |
| 4 BOLT 4" SAE B | DEK-215 | DEC-230 | DHF-250 | DSG-265 |
| 4 BOLT 4" SAE B MOTOR | | | | DSG-265-M |
| 4 BOLT 5" SAE C | | DPC-230 | DKF-250 | DTG-265 |
| 4 BOLT 5" SAE C MOTOR | | | | DTG-265-M |
| 4 BOLT DIN PTO | | | DZF-250 | |
| 4 BOLT GROUP 3 EURO | DHK-215 | | | |
| 2/4 BOLT 4" SAE B | | DDB-250-4 | | |
| 2/4 BOLT 4" SAE B SHORT | | DDB-250-4-SH | | |
| 2/4 BOLT 5" SAE C | | DDB-250-5 | | |
| PAD MOUNT FAN MOTOR | DFK-215-M | | | |
| LUBE PUMP - DOSCO SPL | DSK-215 | | | |
| FORD - 3 BOLT 95.2 spligt | DFR-215 | | | |
| PORT END COVERS | | | | |
| PORTED | EUK-215 | EUC-230 | EFW-250 | EWG-265 |
| PORTED 4 PORT | EUK-215-4 | EUC-230-4 | EFW-250-4 | |
| TANDEM | EXK-215 | EXC-230 | EZF-250 | EYG-265 |
| MOTOR | EUK-215-M | EUC-230-M | EUF-250-M | EWG-265-M |
| MOTOR TANDEM | | | | EYG-265-M |
| FAN MOTOR | | | | |
| FORD - WITH INLET TUBE | EPK-215-M | EPD-230 | | |
| STEP DOWN CW | | EPB-230/215 CW | EPB-250/215 CW | EPB-265/230 CW |
| STEP DOWN CCW | | EPB-230/215 CCW | EPB-250/215 CCW | EPB-265/230 CCW |
| ADD A PUMP 2 BOLT A CW | | | EAAP250 2bA CW | EAAP265 2bA CW |
| ADD A PUMP 2 BOLT A CCW | | | EAAP250 2bA CCW | EAAP265 2bA CCW |
| ADD A PUMP 2 BOLT B CW | | | EAAP250 2bB CW | EAAP265 2bB CW |
| ADD A PUMP 2 BOLT B CCW | | | EAAP250 2bB CCW | EAAP265 2bB CCW |
| BEARING CARRIERS | | | | |
| 1 OUTLET | FYK-215-1 | FWC-230-1 | FTF-250-1 | FZG-265-1 |
| 2 OUTLET | FYK-215-2 | FWC-230-2 | FTF-250-2 | FZG-265-2 |
| MOTOR | FYK-215-M | FWC-230-M | FTF-250-M | FZG-265-M |
| 3" SUCTION | | | | FZG-265-3 |
| THRUST PLATES | | | | |
| PUMP | GCI-215 | GCI-230 | GCI-250 | GCI-265 |
| MOTOR | GM-215 | GM-230 | GM-250 | GM-265 |

QUICK REFERENCE - Parts list H to W

| | 215 | 230 | 250 | 265 |
|---|------------------|------------------|------------------|------------------|
| THRUST PLATE SEALS | | | | |
| PUMP CHANNEL SEAL (H1) | HCI-215-CS | HCI-230-CS | HCI-250-CS | HCI-265-CS |
| PUMP CHANNEL SEAL BACKUP (H2) | HCI-215-CSBU | HCI-230-CSBU | HCI-250-CSBU | HCI-265-CSBU |
| MOTOR SEAL BACKUP (H3) | HM-215-MSBU | HM-230-MSBU | HM-250-MSBU | HM-265-MSBU |
| MOTOR END SEAL (H4) | HM-215-MES | HM-230-MES | HM-250-MES | HM-265-MES |
| MOTOR SIDE SEAL (H5) | HM-215-MSS | HM-230-MSS | HM-250-MSS | HM-265-MSS |
| CONNECTING SHAFTS | | | | |
| STANDARD | IZK-215 | IZC-230 | IYF-250 | IAG-265 |
| STEP DOWN | | IPB-230/215 | IPB-250/215 | IPB-265/230 |
| ADD A PUMP with 9 SPLINE | | | IAAP-250/9SPL | IAAP-265/9SPL |
| ADD A PUMP with 13 SPLINE | | | IAAP-250/13SPL | IAAP-265/13SPL |
| ADD A PUMP with 15 SPLINE | | | | IAAP-265/15SPL |
| DIN/SAE B COUPLING | I-DIN/SAE B | I-DIN/SAE B | I-DIN/SAE B | |
| LOOSE SHAFTS | | | | |
| 7/8" KEY | | JCK-230 | | |
| 7/8" KEY LONG | | JCK-230-L | | |
| 1" KEY | JGD-215 | JCD-230 | | |
| 1" KEY LONG | JGD-215-L | | | |
| 1 1/8" KEY | | JHH-230 | JHH-250 | |
| 1 1/4" KEY | | JCW-230 | JAC-250 | JLG-265 |
| 1 1/4" KEY with 1/2" thread | | | JKE-250 | |
| 6 SPLINE 1 1/4" | | | | |
| 8 SPLINE DIN | | JKD-230 | | |
| 14 SPLINE 1 1/4" SAE C | | JCH-230 | JDI-250 | |
| 15 SPLINE 1" SAE BB | | | JAP-250 | |
| 17 SPLINE Komatsu 1 1/2" | | | JFG-250 | |
| | | | | JKG-265 |
| BEARINGS / BUSHES | | | | |
| BUSHES (K2) | | KBUSH-215 | KBUSH-230 | KBUSH-250 |
| SHAFT BALL BEARING (K1) | | | KX-151-58 | KX-176-59 |
| ADD A PUMP | | | KAAP-250/265 | KAAP-250/265 |
| SEALS | | | | |
| BODY SEALS | LUB-215-239 | LUB-131-242 | LUB-250-244 | LUB-265-250 |
| MOTOR BODY SEAL | LUB-215-239M | | | |
| PUMP SEAL STANDARD | LX-215 | LX-131-16 | LX-151-17 | LX-176-10 |
| MOTOR SEAL STANDARD | LX-215-M | LX-131-9 | LX-151-8 | LX-176-1 |
| PUMP SEAL TELLTALE | | | LPA-250-TT | |
| PUMP SEAL LOOSE SHAFT | | LX-131-18 | | |
| MOTOR SEAL LOOSE SHAFT | | LX-131-11 | | |
| PUMP SEAL VITON | | LX-131V-17 | | LX-176V-10 |
| RETAINERS | | | | |
| SEAL RETAINER MOTOR | MFR-215 | | | |
| SEAL RETAINER LUBE PUMP - DOSCO SPL | MSK-215 | | | |
| SEAL RETAINER TELLTALE | | MNA-230-1 | MPA-250 | MTT-265 |
| DOWELS | | | | |
| STANDARD | NDOWEL-215 | NDOWEL-131 | NDOWEL-131 | NDOWEL-265 |
| MOTOR | | | | NDOWEL-265M |
| SPACERS | | | | |
| SEAL SPACER | QAE-215 | QAE-131 | QAC-151 | |
| BEARING SPACER | | QVB-131-2 | QVB/AC-151 | QVB-176 |
| SHAFT SPACER (CONTI) | | QTB-131 | | QAF-176 |
| KEYS | | | | |
| 7/8" SHAFT | RX-18 | RX-18 | RX-18 | |
| 1" SHAFT | RX-16 | RX-16 | RX-16 | |
| 1 1/8" SHAFT | | RX-54 | RX-54 | |
| 1 1/4" SHAFT | | RX-19 | RX-19 | RX-19 |
| 1:8 TAPER SHAFT (AEK) | RX-506 | | | |
| 1:5 TAPER SHAFT (ATK/AFR) | RX-505 | | | |
| SNAP RINGS / CIRCLIPS | | | | |
| SHAFT | | SX-131-100 | SX-151-125 | SX-176-137 |
| SHAFT END COVER | SX-215 | SX-131-206 | SX-151-283 | SX-176-315 |
| ADD A PUMP | | | SAAP250/265 | SAAP250/265 |
| FASTENERS | | | | |
| BOLTS | VBOLT 1/2" X ? | VBOLT 5/8" X ? | VBOLT 5/8" X ? | VBOLT 5/8" X ? |
| NUTS | VNUT 1/2" | VNUT 5/8" | VNUT 5/8" | VNUT 5/8" |
| WASHERS | VWASHER 1/2" | VWASHER 5/8" | VWASHER 5/8" | VWASHER 5/8" |
| WASHERS 265 MOTOR | | | | VWASHER 3/4" |
| STUDS 06"-11" EXTENDED THREAD ON ONE SIDE | VSTUD 1/2"x6-11 | VSTUD 5/8"x6-11 | VSTUD 5/8"x6-11 | VSTUD 5/8"x6-11 |
| STUDS 11"-16" EXTENDED THREAD ON ONE SIDE | VSTUD 1/2"x11-16 | VSTUD 5/8"x11-16 | VSTUD 5/8"x11-16 | VSTUD 5/8"x11-16 |
| STUDS 16"-21" EXTENDED THREAD ON ONE SIDE | VSTUD 1/2"x16-21 | VSTUD 5/8"x16-21 | VSTUD 5/8"x16-21 | VSTUD 5/8"x16-21 |
| STUDS 21"-26" EXTENDED THREAD ON ONE SIDE | VSTUD 1/2"x21-26 | VSTUD 5/8"x21-26 | VSTUD 5/8"x21-26 | VSTUD 5/8"x21-26 |
| SMALL PARTS | | | | |
| PLUG DRAIN | WX-131-11 | WX-131-11 | WX-131-11 | WX-131-11 |
| PLUG SHAFT END COVER | WT-131-1391 | WT-131-1391 | WT-131-1391 | WT-131-1391 |
| CHECK VALVES | WM-131-1391 | WM-131-1391 | WM-131-1391 | WM-131-1391 |